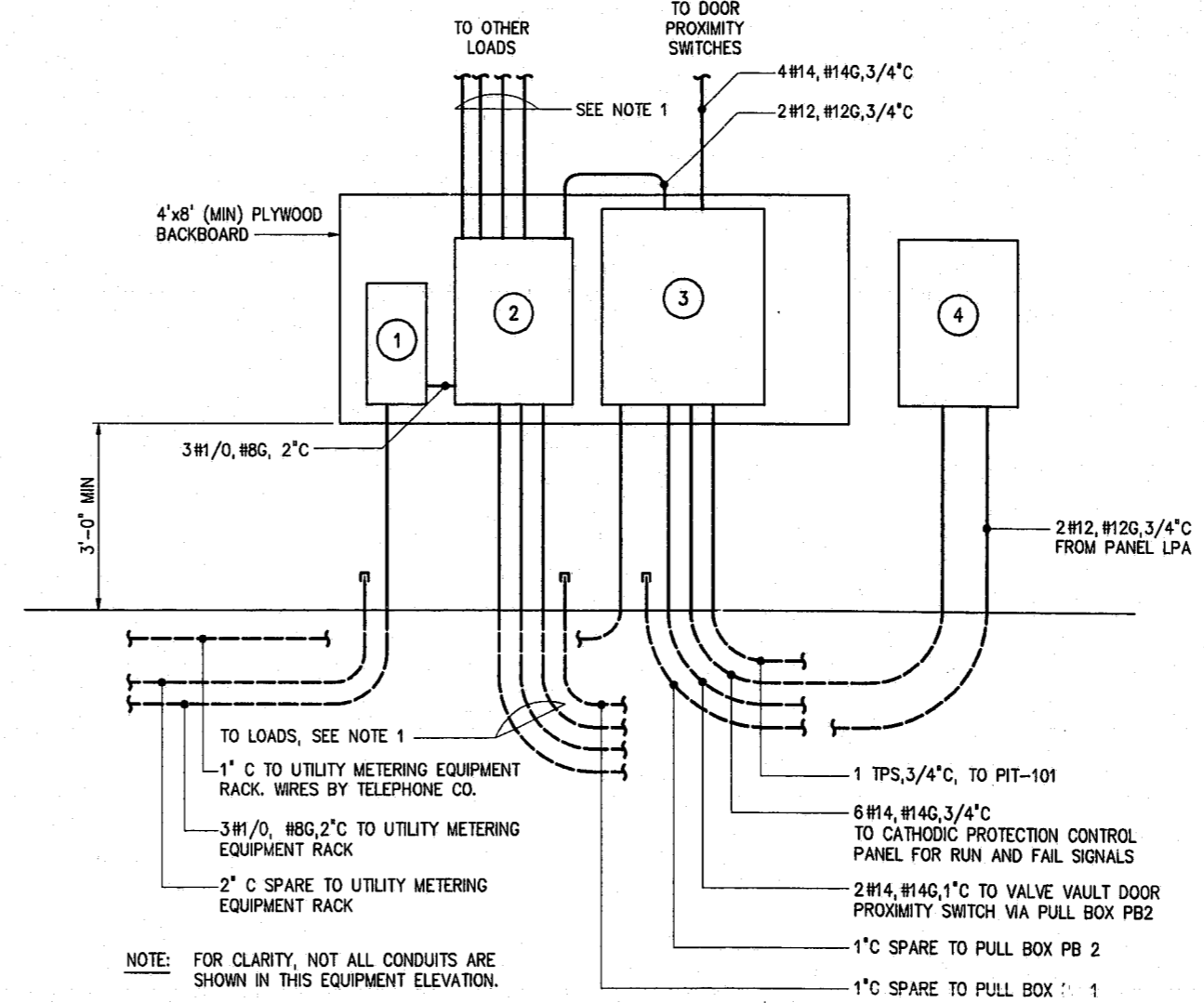
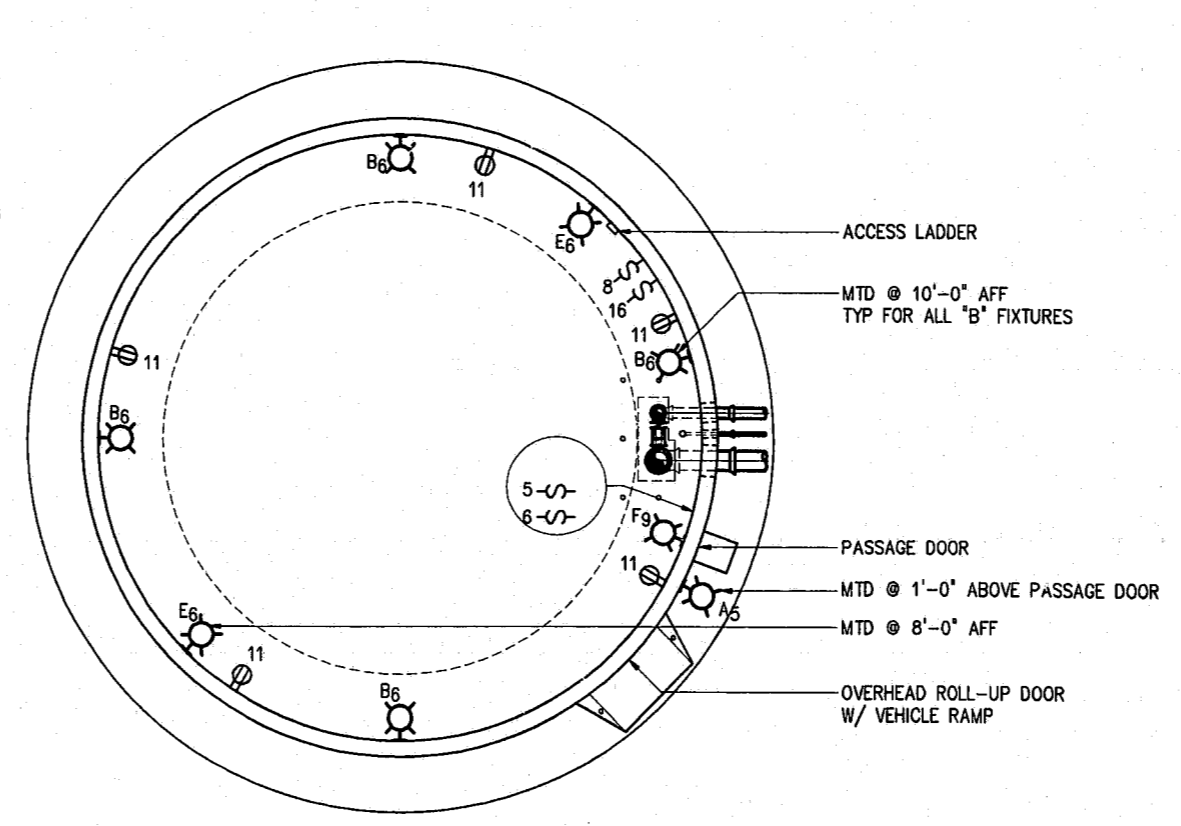


TANK AND PEDESTAL SECTION
NOT TO SCALE

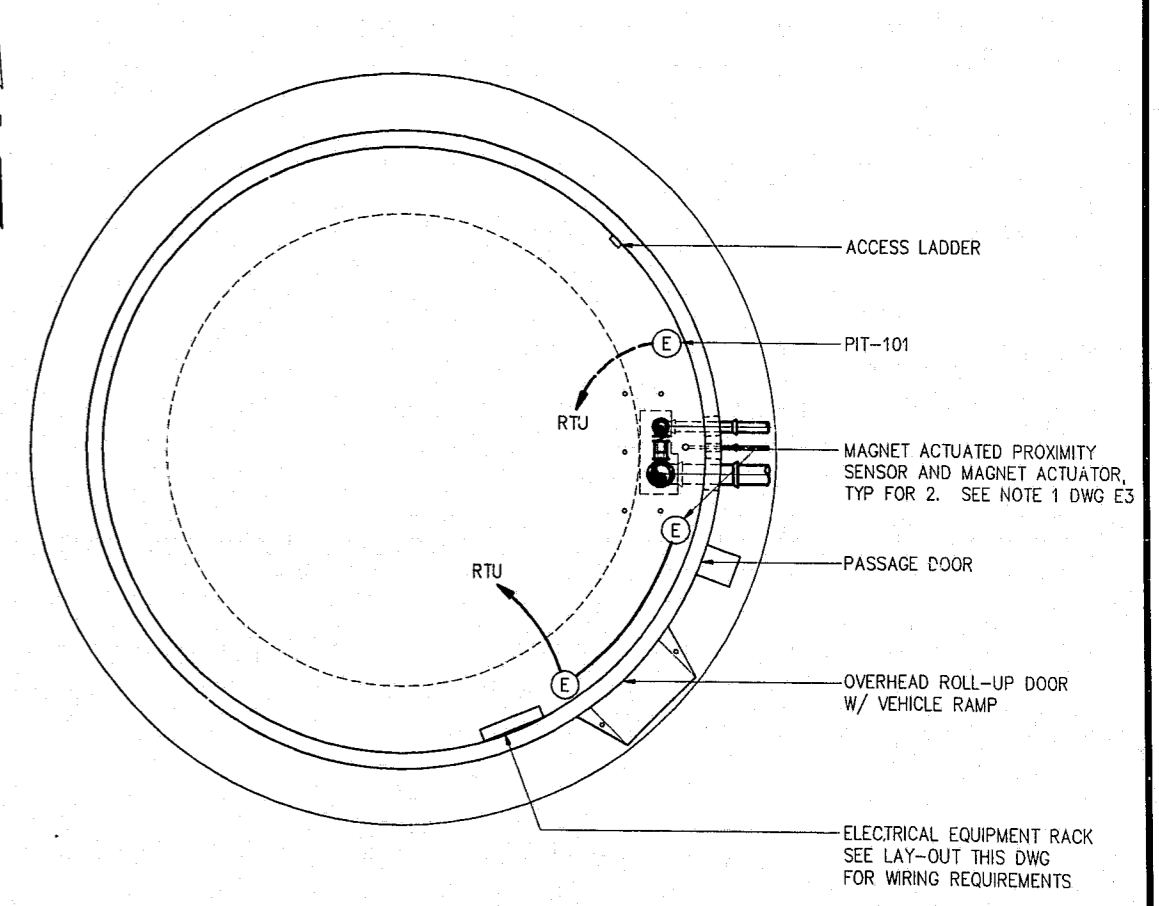


ELECTRICAL EQUIPMENT LAY-OUT
NTS

- EQUIPMENT LEGEND:
- 1 240VAC, 2 POLE, 100A MAIN CIRCUIT BREAKER, SERVICE ENTRANCE RATED, NEMA 12 ENCLOSURE
 - 2 120/240 VAC, 1 PHASE, 3 WIRE, 24 CIRCUITS, PANELBOARD LPA
 - 3 REMOTE TELEMETRY UNIT (RTU)
 - 4 CATHODIC PROTECTION SYSTEM CONTROL PANEL



LIGHTING-FLOOR PLAN
1/16"=1'-0"



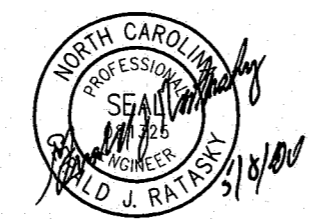
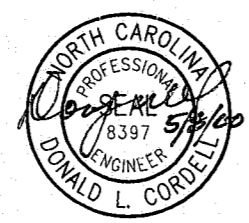
POWER-FLOOR PLAN
1/16"=1'-0"

NOTES:

- ALL LOADS LISTED IN THE PANELBOARD LPA SCHEDULE REQUIRE 2#12, #12G, 3/4"C UNLESS INDICATED OTHERWISE.
- MATERIALS AND INSTALLATION WORK FOR THE CATHODIC PROTECTION SYSTEM SHALL BE PROVIDED BY THE SYSTEM SUPPLIER. ELECTRICAL CONTRACTOR SHALL ROUTE AND TERMINATE CONDUITS AND WIRES FOR POWER AND SIGNALS AS INDICATED.

00-SP-047
APPROVED
56-8/3/00
8/7/00

DESIGNED	CHN		
DRAWN	MOS		
CHECKED	GM		
PROJ. ENGR.	HTT		
ISSUED FOR	DATE	BY	APPROVED
2	CONSTRUCTION	5/00	HTT
1	REGULATORY APPROVAL	4/00	HTT



HAZEN AND SAWYER
Environmental Engineers & Scientists
4011 WestChase Blvd., Raleigh, North Carolina 27607

TOWN OF CARY, NC
ENGINEERING DIVISION
2 MG CARPENTER ELEVATED
WATER STORAGE TANK

WATER STORAGE TANK
ELECTRICAL
PLANS, SECTION AND
EQUIPMENT LAY-OUT

THE SCALE BAR SHOWN BELOW MEASURES ONE INCH LONG ON THE ORIGINAL DRAWING.	DATE	APRIL 2000
H & S JOB NUMBER	2825	
CONTRACT NUMBER	1	DRAWING NUMBER
		E2
SHEET 11 OF 20		