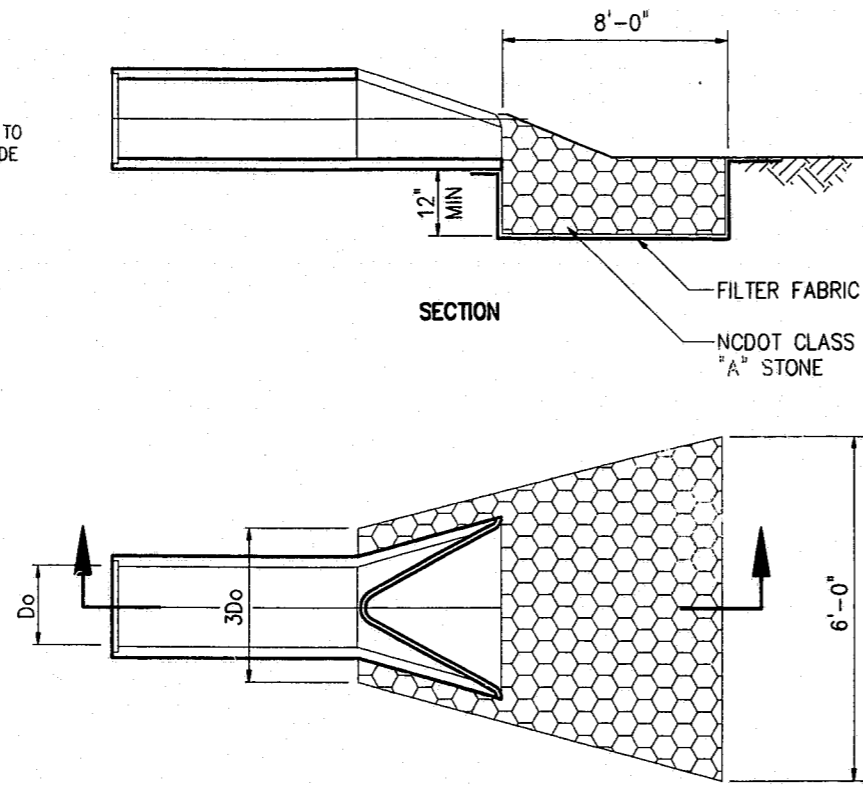
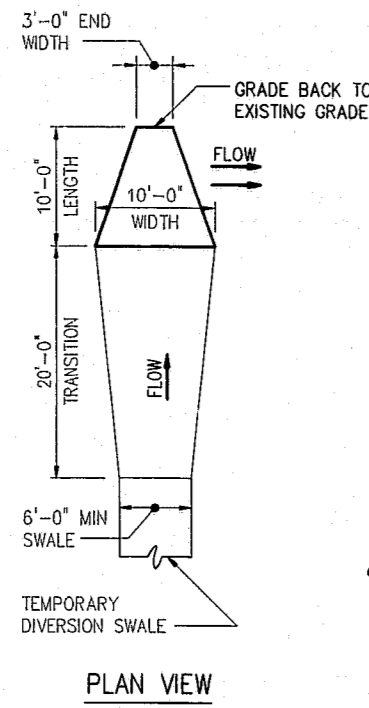


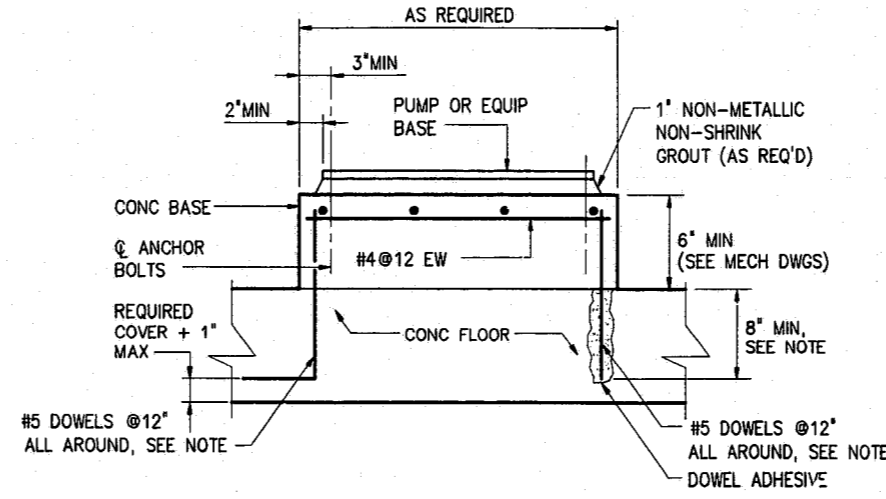
NOTES:
 1. MATTING SHOULD BE A MINIMUM OF 4' WIDE.
 2. ENSURE SPREADER LIP IS LEVEL.
 3. CONSTRUCT 20 FT TRANSITION SECTION FROM DIVERSION SWALE TO BLEND SMOOTHLY TO WIDTH AND DEPTH OF SPREADER.

LEVEL SPREADER
0227012R

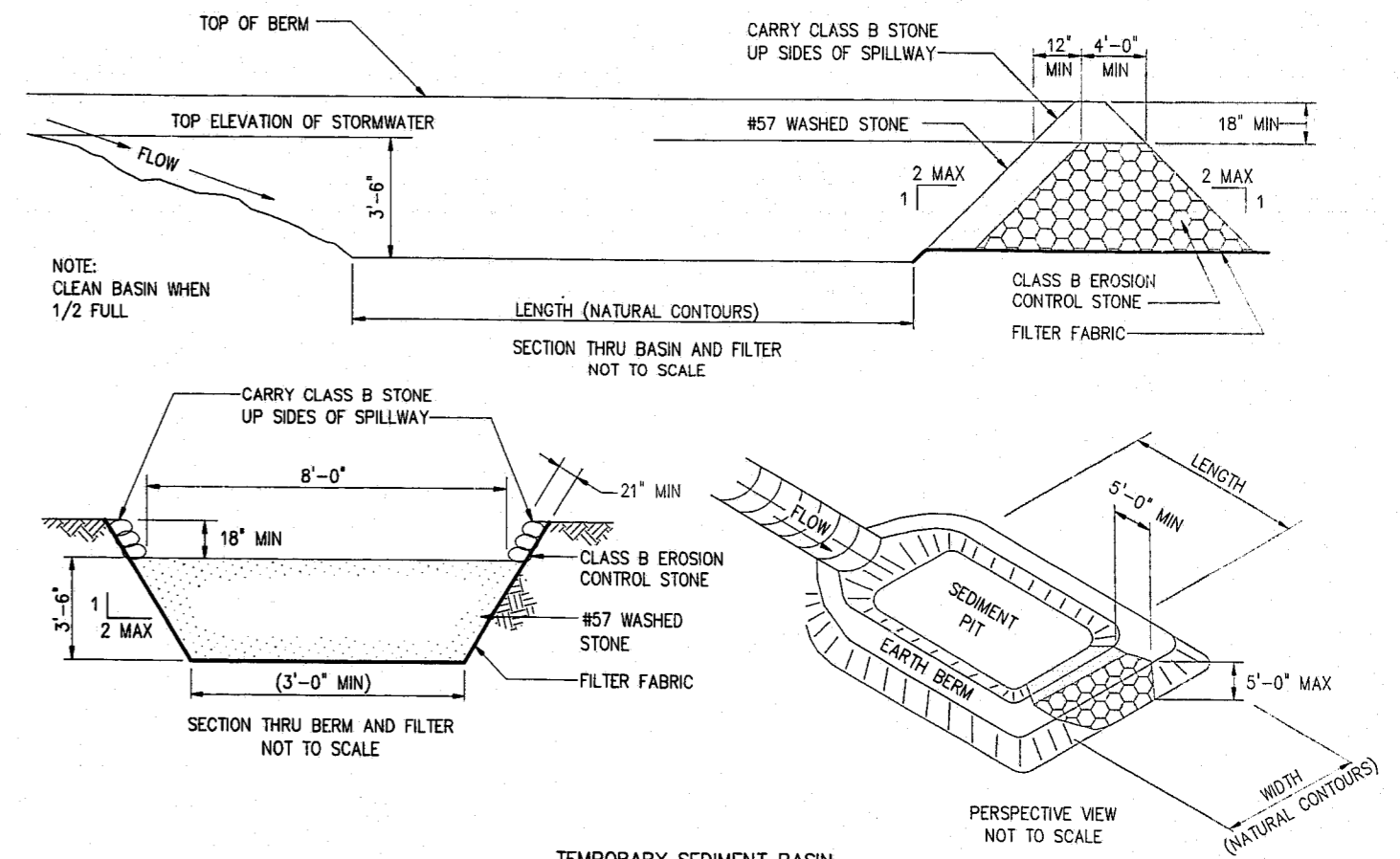


FLARED END SECTION WITH RIP-RAP APRON

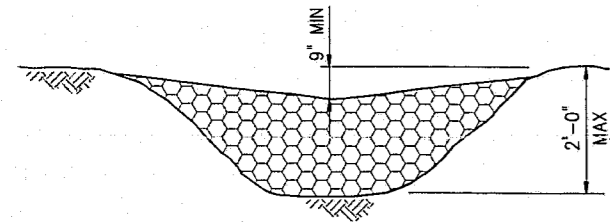
0243300R



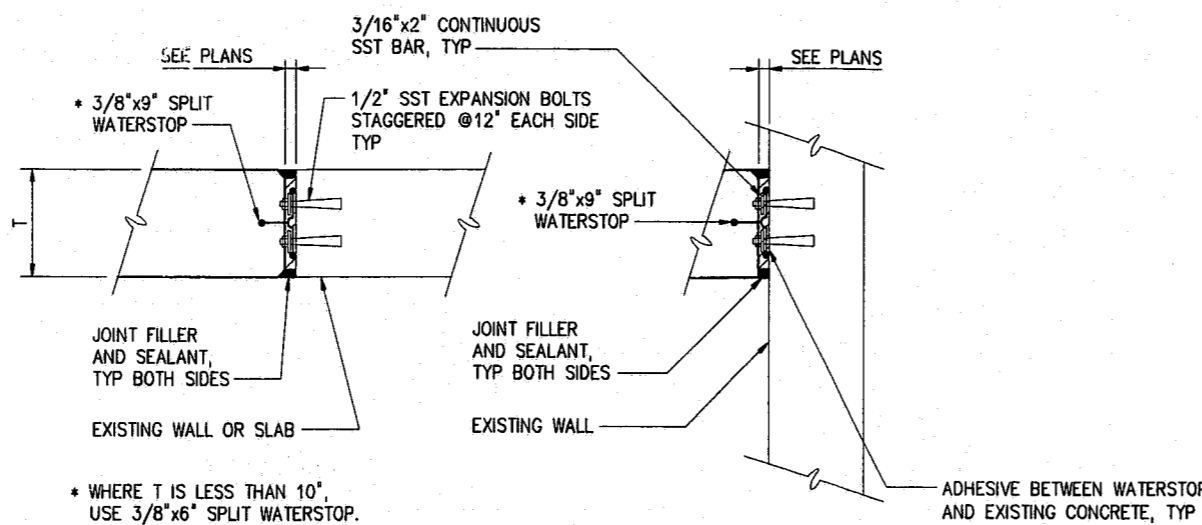
0331600



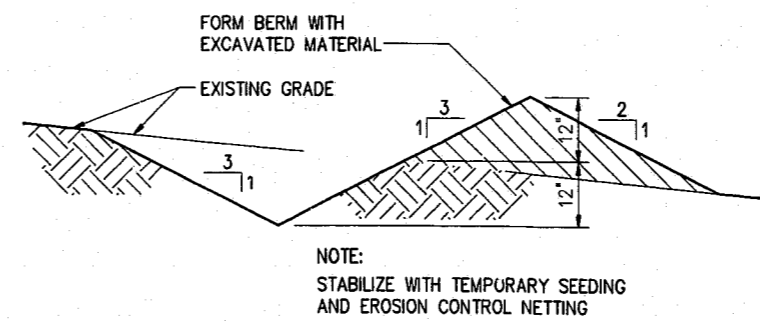
TEMPORARY SEDIMENT BASIN
0227004R



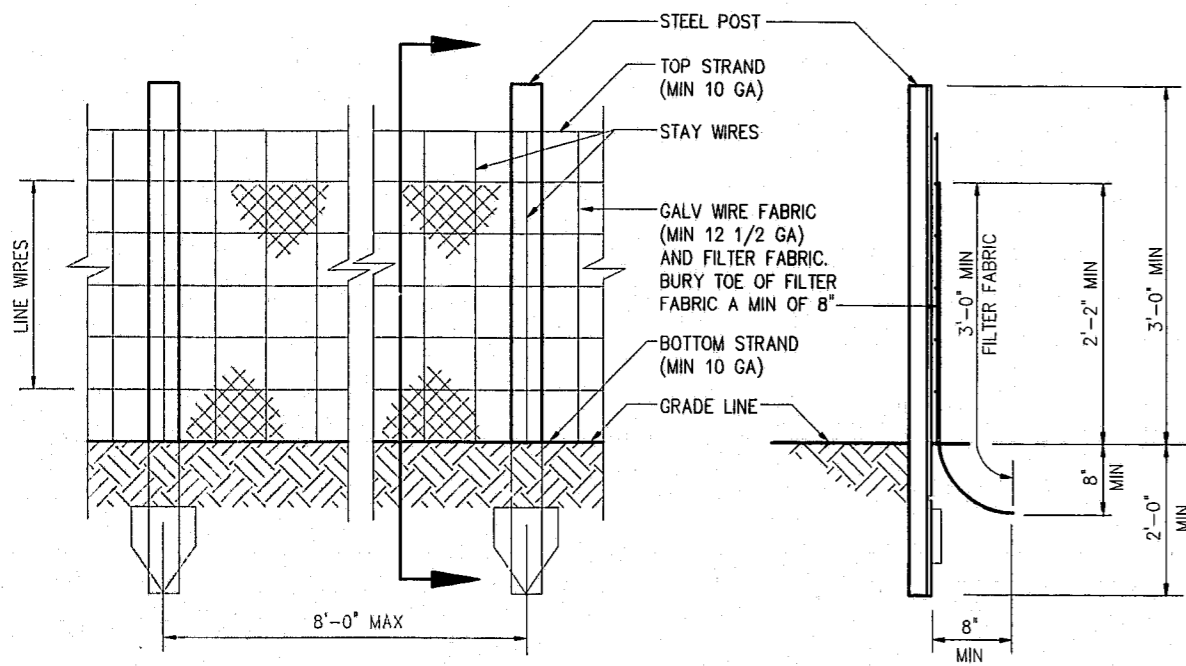
0227003



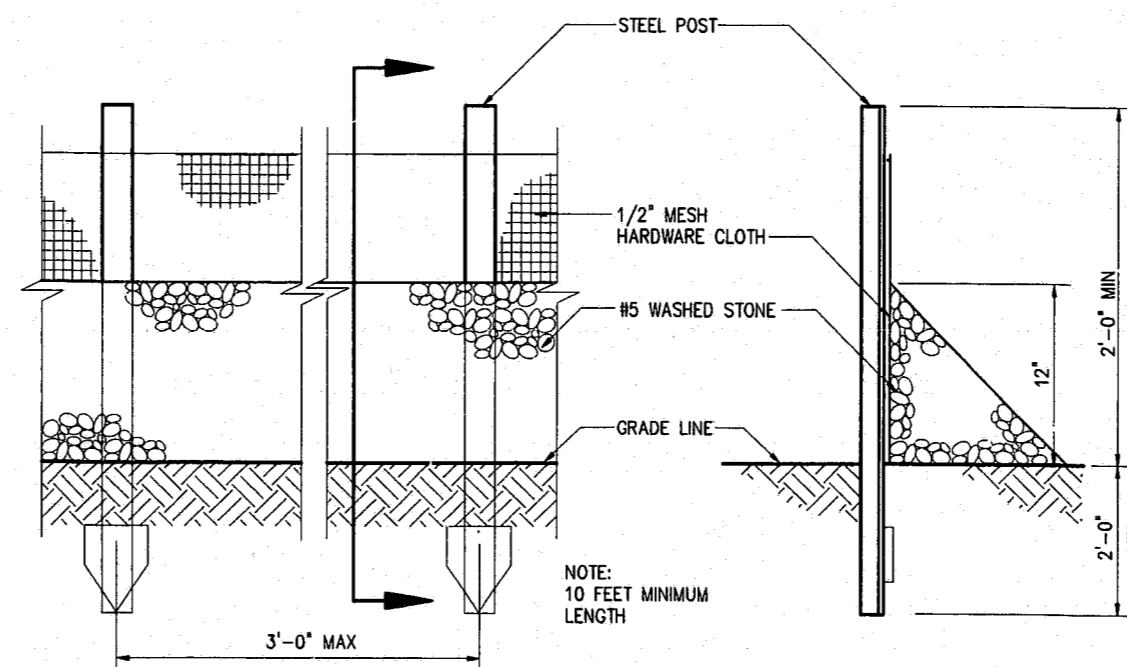
0325302R



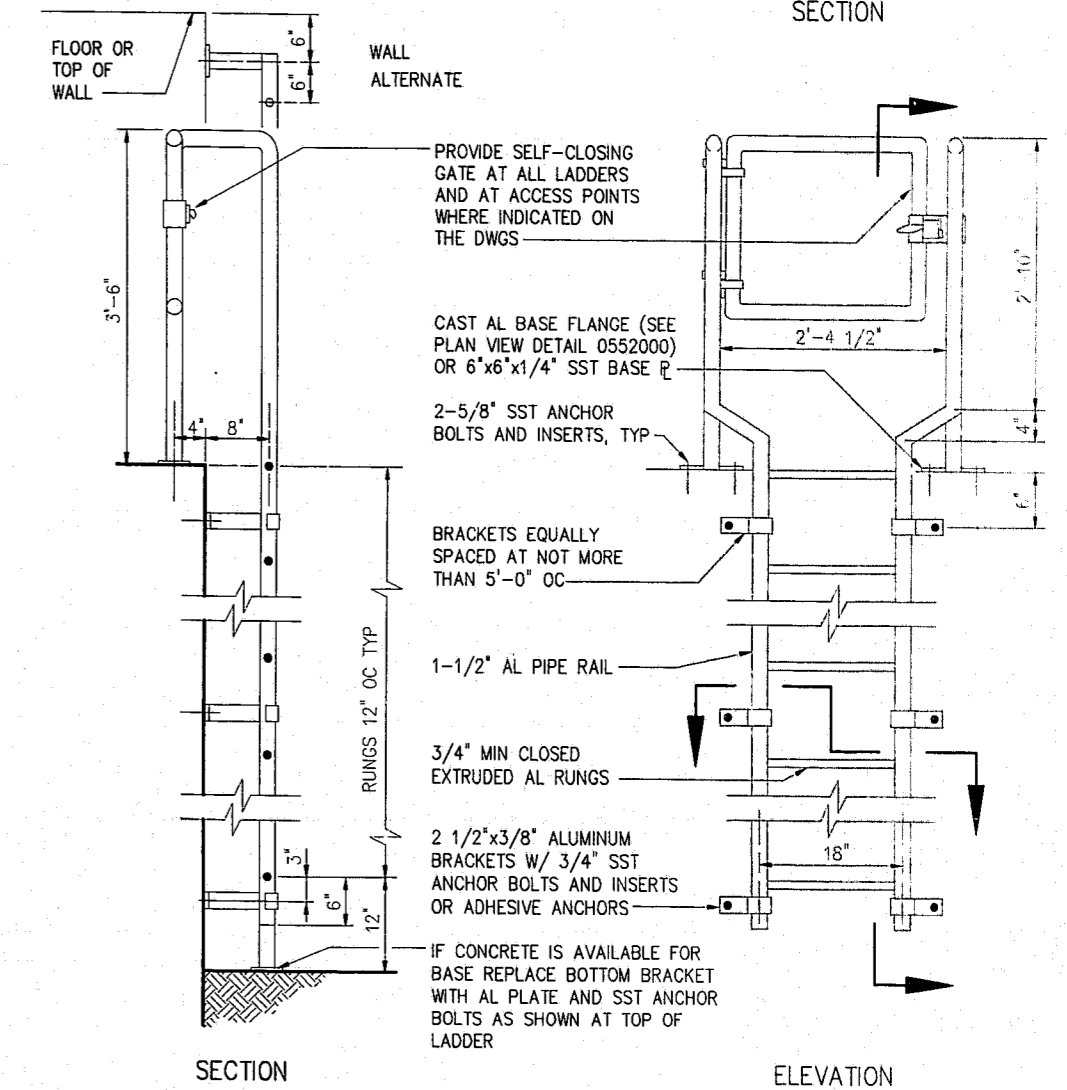
0227009R



0227000R



0227008



ALUMINUM LADDER
0551500

00-SP-07
 36-8/3/00
 8/1/00

| | |
|-------------|---------------------|
| DESIGNED | HTT |
| DRAWN | H & S |
| CHECKED | HTT |
| PROJ. ENGR. | HTT |
| NO. | ISSUED FOR |
| 2 | CONSTRUCTION |
| 1 | REGULATORY APPROVAL |
| | ISSUED FOR |
| | DATE |
| | BY |
| | APPROVED |



HAZEN AND SAWYER
 Environmental Engineers & Scientists
 4011 WestChase Blvd, Raleigh, North Carolina 27607

TOWN OF CARY, NC
 ENGINEERING DIVISION
 2 MG CARPENTER ELEVATED
 WATER STORAGE TANK

MISCELLANEOUS STANDARD DETAILS

| | |
|------------------|------------|
| DATE | APRIL 2000 |
| H & S JOB NUMBER | 2825 |
| CONTRACT NUMBER | 1 |
| DRAWING NUMBER | D4 |
| SHEET | 16 OF 20 |