




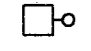
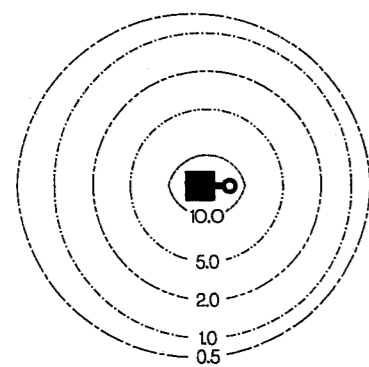


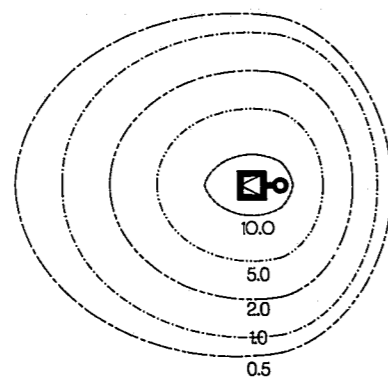
2 Legend

- 
 25-FOOT POLE with ONE (1) 1000-WATT METAL HALIDE LUMINAIRE (CUT-OFF TYPE)
- 
 25-FOOT POLE with ONE (1) 1000-WATT METAL HALIDE LUMINAIRE (CUT-OFF TYPE) with FORWARD-THROW OPTICS
- 
 25-FOOT POLE with TWO (2) 1000-WATT METAL HALIDE LUMINAIRE (CUT-OFF TYPE) MOUNTED 180-DEGREES APART
- 
 25-FOOT POLE with THREE (3) 1000-WATT METAL HALIDE LUMINAIRE (CUT-OFF TYPE) MOUNTED 120-DEGREES APART
- 
 EXISTING POLE with ONE (1) 1000-WATT METAL HALIDE LUMINAIRE (CUT-OFF TYPE) EXISTING AT DODGE DEALERSHIP--SHOWN FOR REFERENCE PURPOSES ONLY
- 
 EXISTING POLE with TWO (2) 1000-WATT METAL HALIDE LUMINAIRE (CUT-OFF TYPE) EXISTING AT DODGE DEALERSHIP--SHOWN FOR REFERENCE PURPOSES ONLY

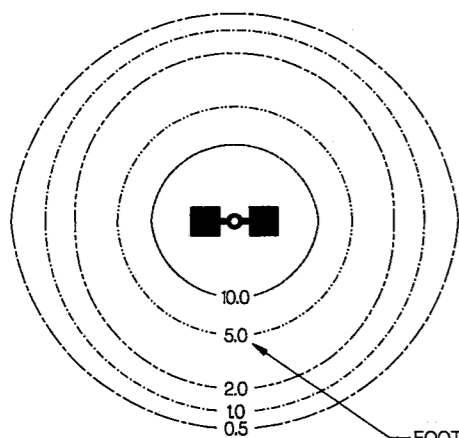
3 Iso-Candle Curves



SINGLE LUMINAIRE

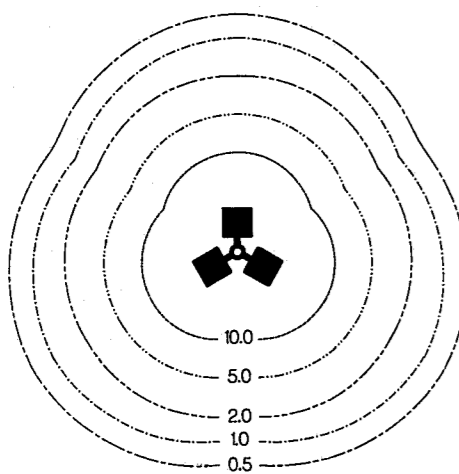


SINGLE LUMINAIRE

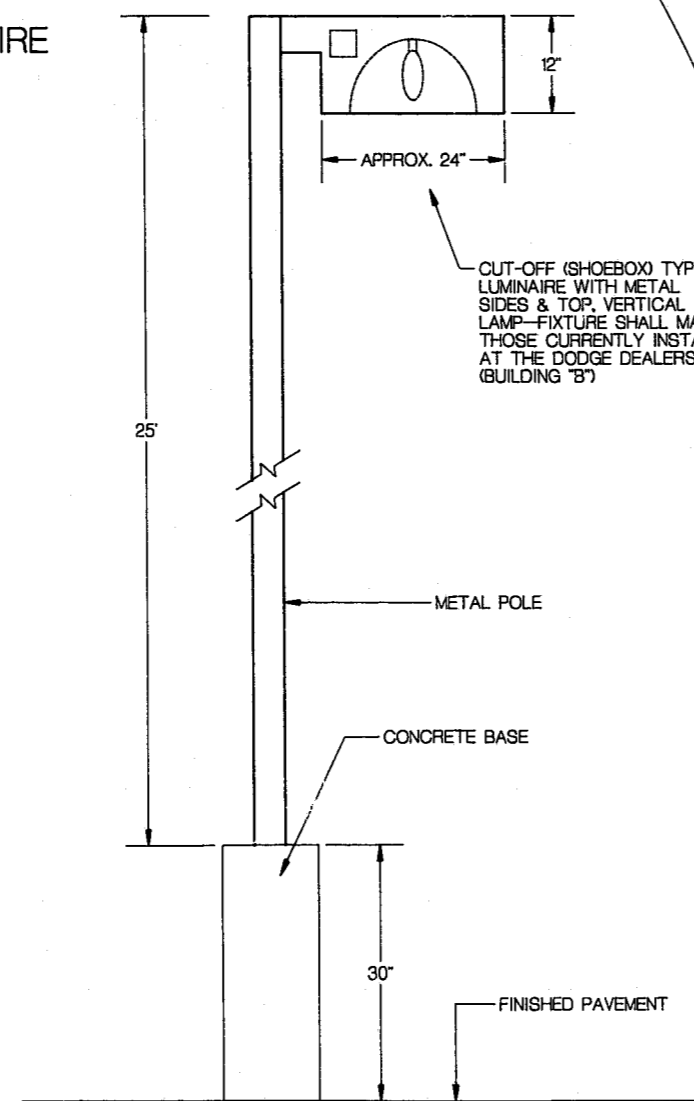


DOUBLE LUMINAIRE

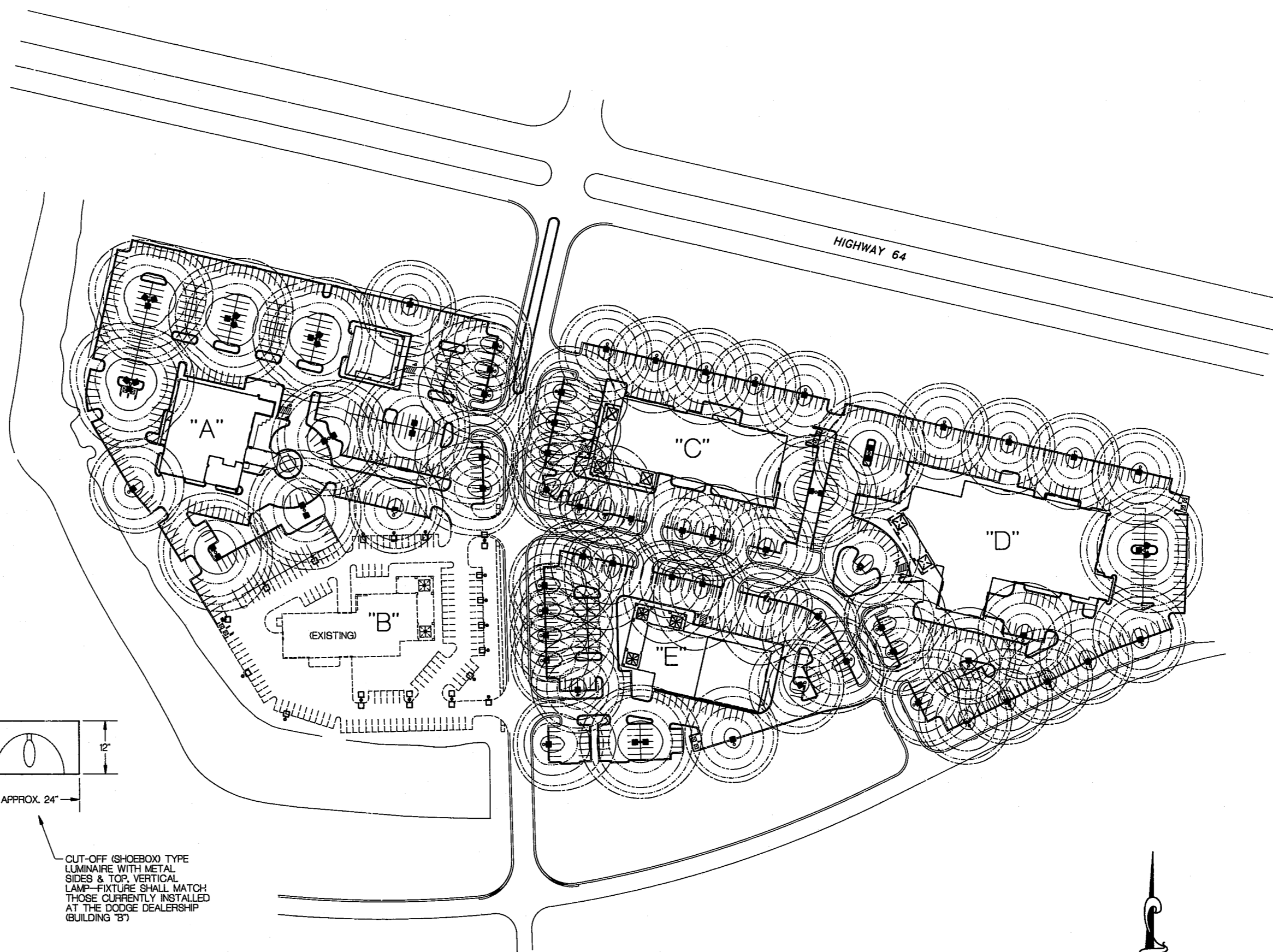
FOOTCANDLE LEVEL (TYPICAL)



TRIPLE LUMINAIRE



6 Typical Lighting Pole/Luminaire
NOT TO SCALE



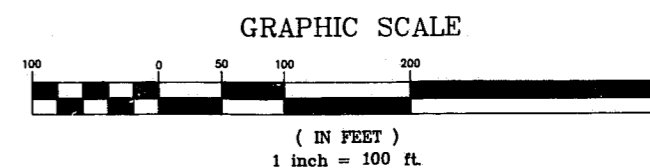
1 Site Lighting Plan
1" = 100'

4 General Notes

1. ALL POLES SHALL BE 25 FEET TALL AND SHALL BE MOUNTED ON 30" HIGH CONCRETE BASES.
2. ALL LAMPS SHALL BE METAL HALIDE.

5 Design Parameters

1. AVERAGE MAINTAINED FOOTCANDLE LEVEL - 1.75 FOOTCANDLES.
2. OPERATING HOURS OF LIGHTING:
 DISPLAY/PARKING AREA - "ON" AT DUSK, "OFF" AT 10:00PM
 SECURITY (S) LIGHTING - "ON" AT DUSK, "OFF" AT DAWN
 (S) - APPROXIMATELY 10% OF TOTAL LUMINAIRE
 CIRCUITING SHALL BE SUCH THAT 50% OF THE LIGHTING MAY BE SWITCHED "OFF," IF DESIRED.



SEALS



DRAWING TITLE

LIGHTING PLAN

PROJECT TITLE 94063

CARY AUTO MALL

REVISIONS

NUMBER	DESCRIPTION	DATE

DRAWN BY CAD
 CHECKED BY JOB
 DATE ISSUED 9/21/94
 SCALE 1" = 100'

SHEET NO. 10
 OF