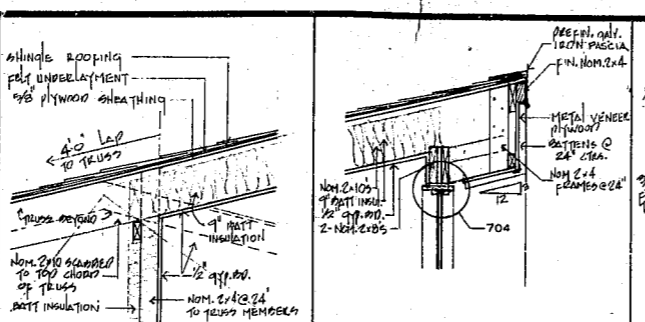
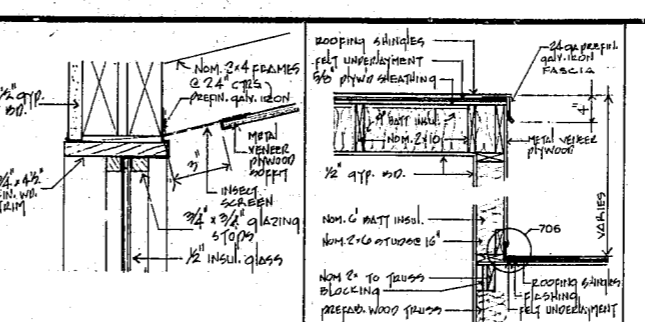


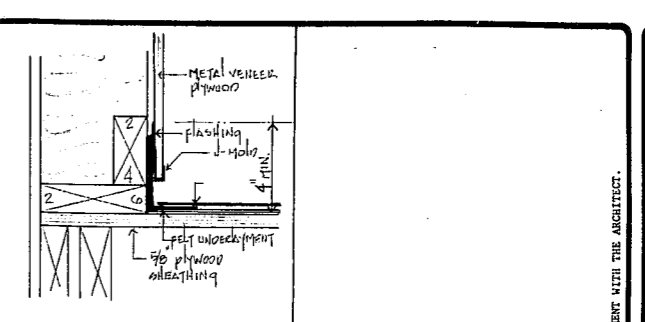
701 FASCIA SECTION
SCALE: 3/4" = 1'-0"



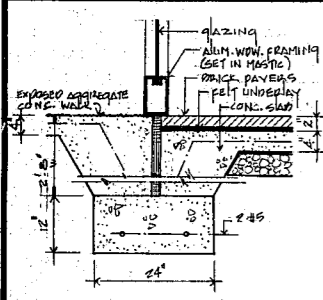
702 CLERESTORY DETAIL
SCALE: 3/4" = 1'-0"



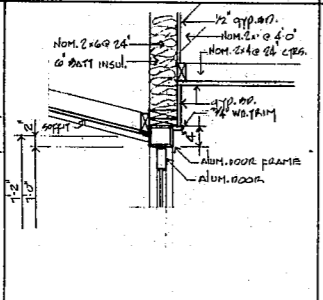
703 FASCIA DETAIL
SCALE: 3/4" = 1'-0"



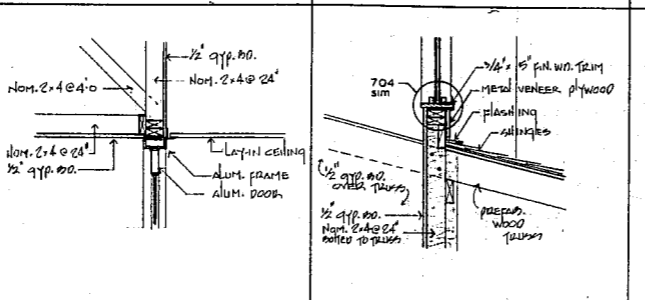
704 WINDOW HEAD DETAIL
SCALE: 3/4" = 1'-0"



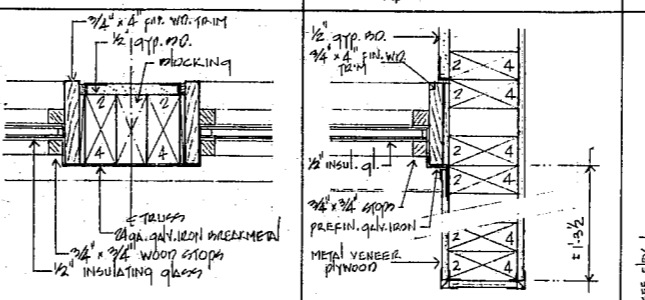
708 SECTION
SCALE: 3/4" = 1'-0"



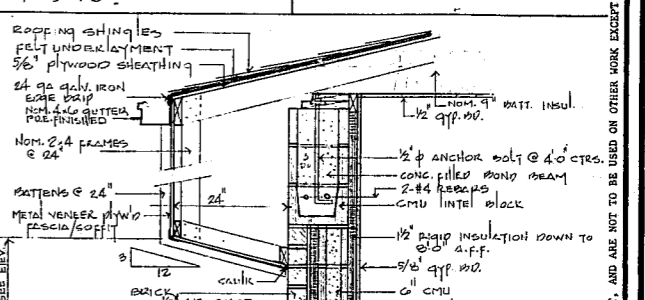
709 HEAD DETAIL
SCALE: 3/4" = 1'-0"



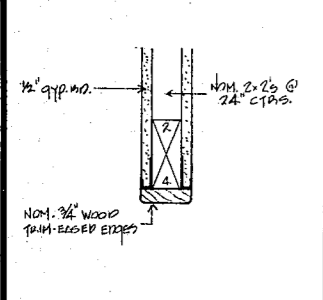
710 HEAD DETAIL
SCALE: 3/4" = 1'-0"



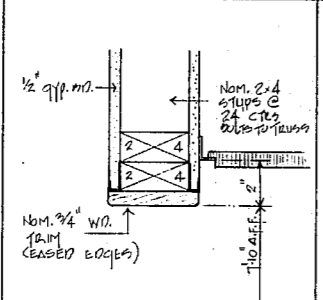
711 SILL DETAIL
SCALE: 3/4" = 1'-0"



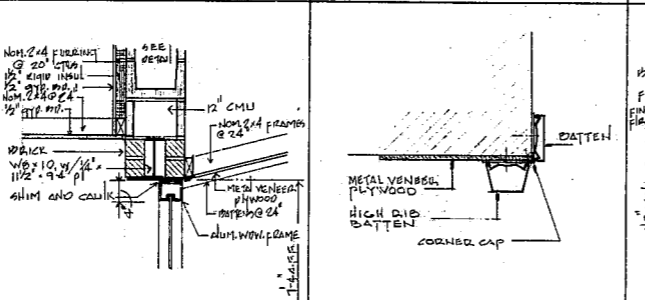
712 MULLION DETAIL
SCALE: 3/4" = 1'-0"



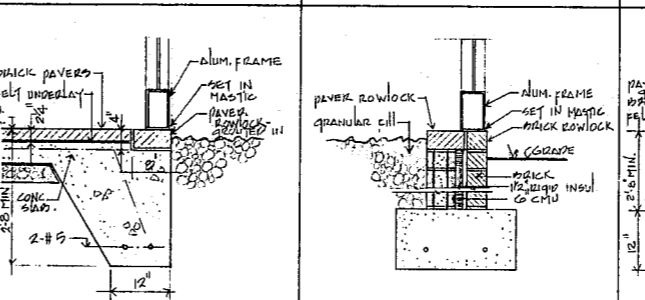
715 DETAIL
SCALE: 3/4" = 1'-0"



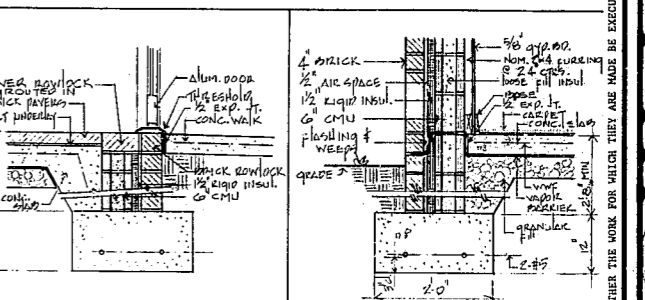
716 DETAIL
SCALE: 3/4" = 1'-0"



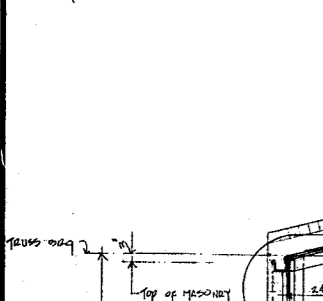
717 HEAD DETAIL
SCALE: 3/4" = 1'-0"



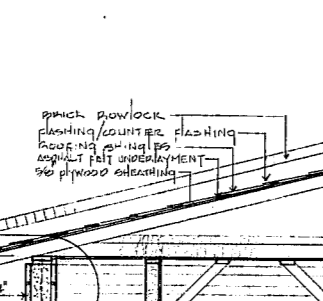
718 DETAIL
SCALE: 3/4" = 1'-0"



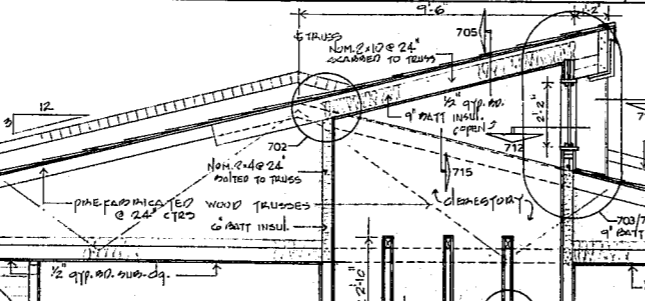
719 SILL DETAIL
SCALE: 3/4" = 1'-0"



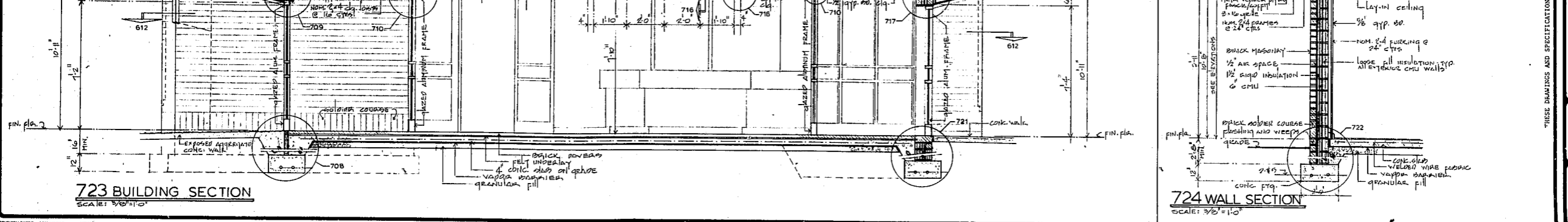
720 SILL DETAIL
SCALE: 3/4" = 1'-0"



721 SILL DETAIL
SCALE: 3/4" = 1'-0"



722 WALL SECTION
SCALE: 3/4" = 1'-0"



723 BUILDING SECTION
SCALE: 3/8" = 1'-0"

THESE DRAWINGS AND SPECIFICATIONS ARE THE PROPERTY OF THE ARCHITECT. ANY REUSE OR REPRODUCTION OF THESE DRAWINGS WITHOUT THE ARCHITECT'S WRITTEN PERMISSION IS STRICTLY PROHIBITED.

HACKNEY, SEARS & ASSOC., ARCHITECTS
321 EAST CHAPEL HILL STREET, DURHAM, N.C.
1142 EXECUTIVE CIRCLE, CARY, N.C.

OFFICE BUILDING FOR CARY CHAMBER OF COMMERCE
WEST CHATHAM STREET
CARY, NORTH CAROLINA

DATE: JAN. 20 1983
REVISIONS:

SHEET NO. **A-7**
OF EIGHT SHEETS