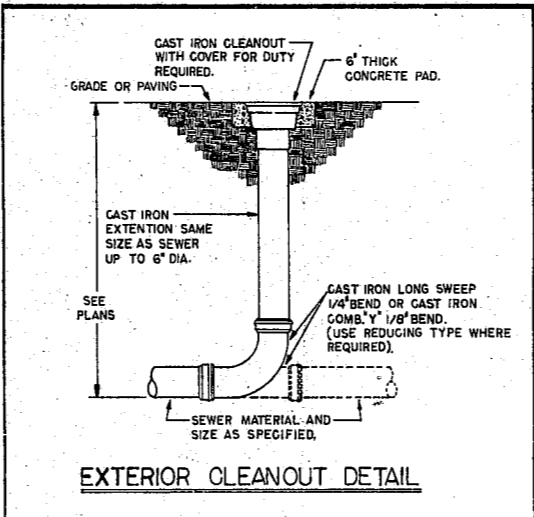
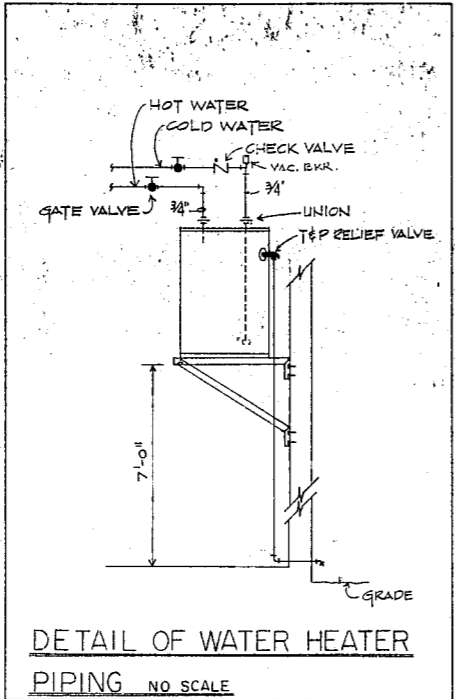
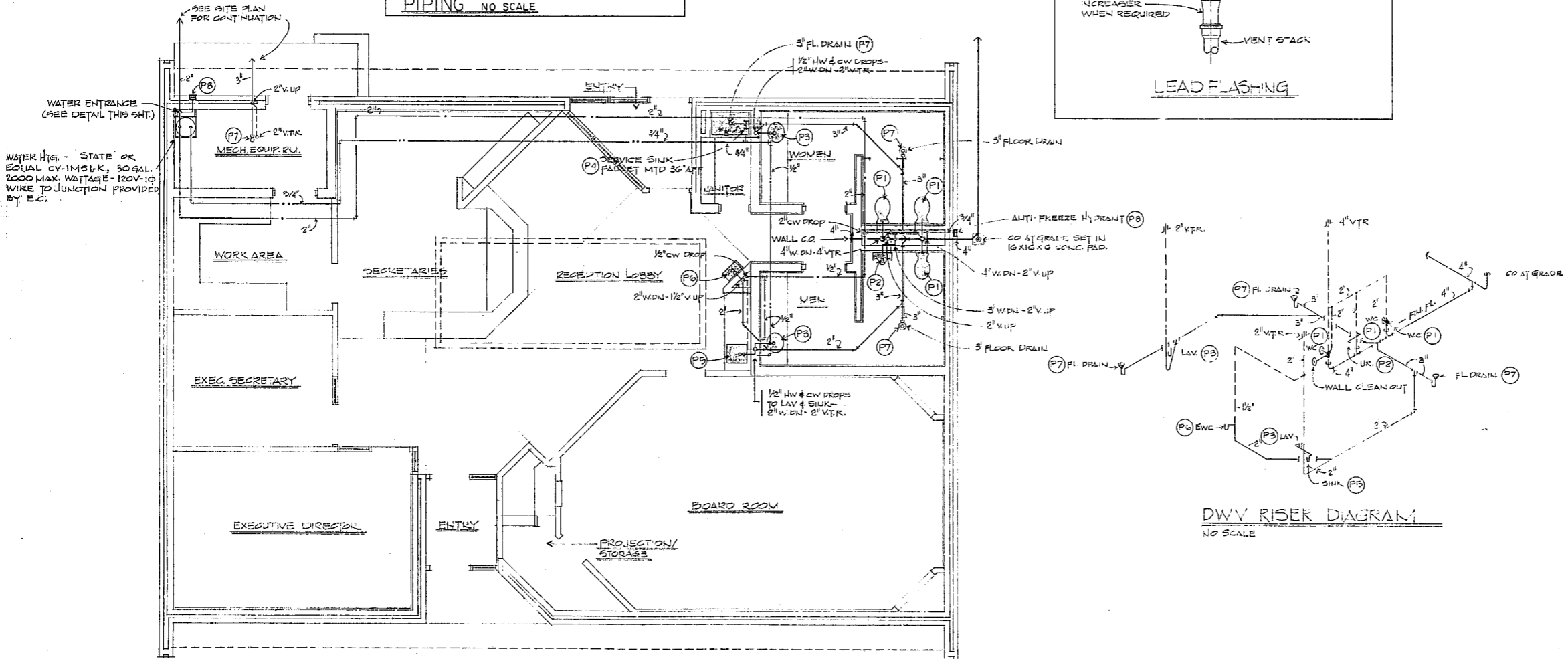
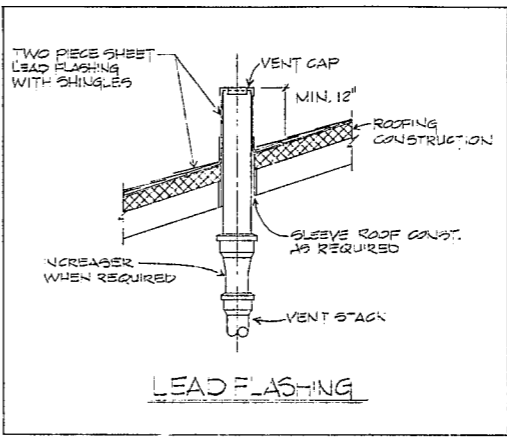
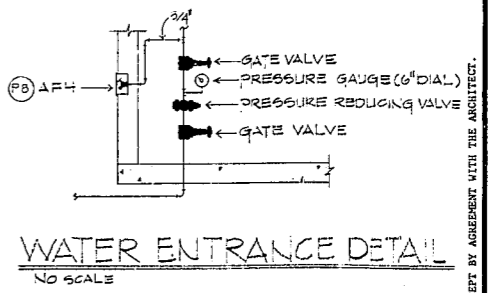


SYMBOL SCHEDULE	
—	SANITARY SEWER
—	VENT
—	COLD WATER
—	HOT WATER
—	ELBOW UP
—	ELBOW DOWN
—	P TRAP
V.T.R.	VENT THRU ROOF
R.W.L.	RAIN WATER LEADER
C.O.	CLEAN OUT
—	UNION
R.D.	ROOF DRAIN
—	GATE VALVE
—	CHECK VALVE
F.F.E.	FINISHED FLOOR ELEVATION
A.F.F.	ABOVE FINISHED FLOOR



FIXTURE SCHEDULE	
P1	WATER CLOSET
P2	URINAL
P3	LAVATORY
P4	SERVICE SINK
P5	S.S. SINK
P6	E.W.C.
P7	FLOOR DRAIN
P8	ANTI-FREEZE HYDRANT.
P9	



PLUMBING/FLOOR PLAN
SCALE 1/4" = 1'-0"

KNOTT & ROBERTS, P.A.
ENGINEERS
1014 CENTRAL CAROLINA BANK BUILDING
DURHAM, N.C. 27701
TELEPHONE 919-683-1388

COMMISSION 8109
DRAWN BY
CHECKED BY

HACKNEY, SEARS & ASSOC., ARCHITECTS
321 EAST CHAPEL HILL STREET, DURHAM, N.C.
1142 EXECUTIVE CIRCLE, CARY, N.C.

OFFICE BUILDING FOR
CARY CHAMBER OF COMMERCE
WEST CHATHAM STREET
CARY, NORTH CAROLINA

DATE: JAN. 20, 1983
REVISIONS:

SHEET NO.
P-2
OF 2 SHEETS

THESE DRAWINGS AND SPECIFICATIONS AS INSTRUMENTS OF SERVICE ARE THE PROPERTY OF THE ARCHITECT. WHETHER THE WORK FOR WHICH THEY ARE MADE BE EXECUTED OR NOT, AND ARE NOT TO BE USED ON OTHER WORK EXCEPT BY AGREEMENT WITH THE ARCHITECT.