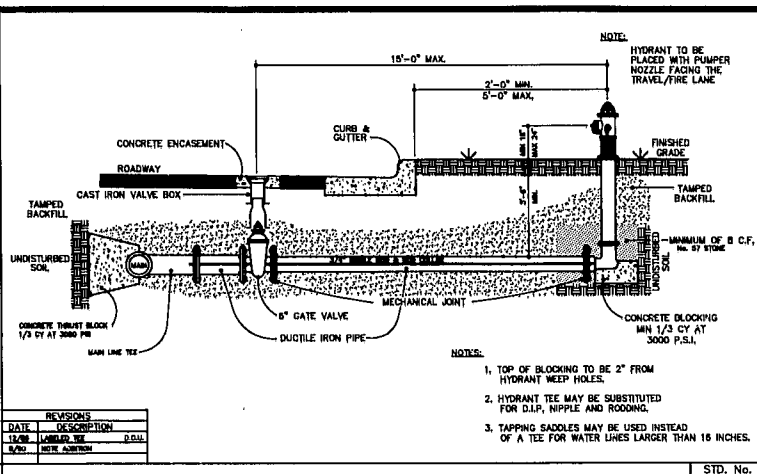
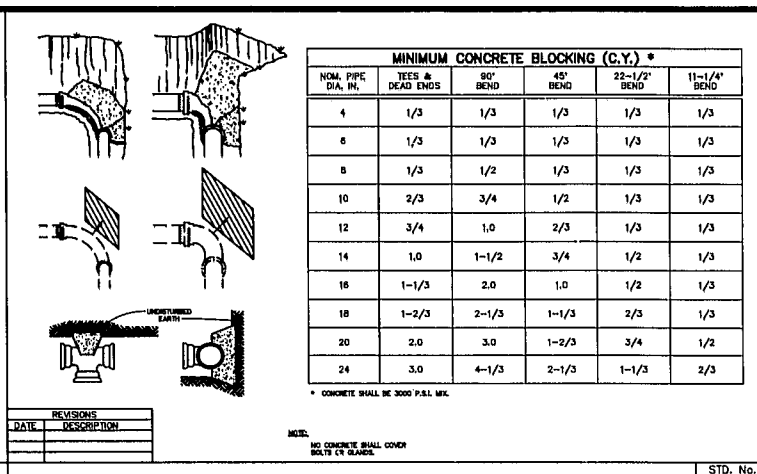


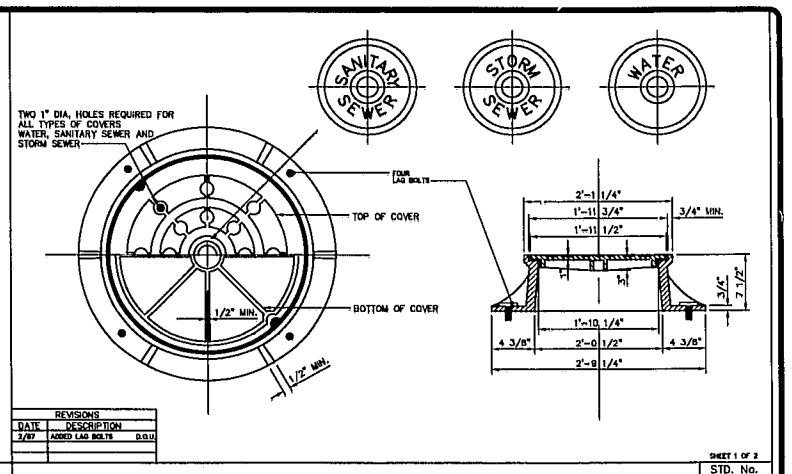
CARRIER PIPE STD. No. 5.02



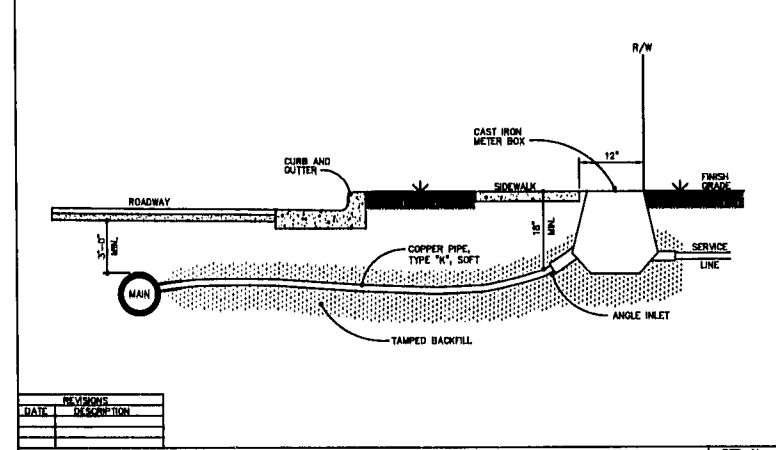
STANDARD HYDRANT INSTALLATION STD. No. 6.06



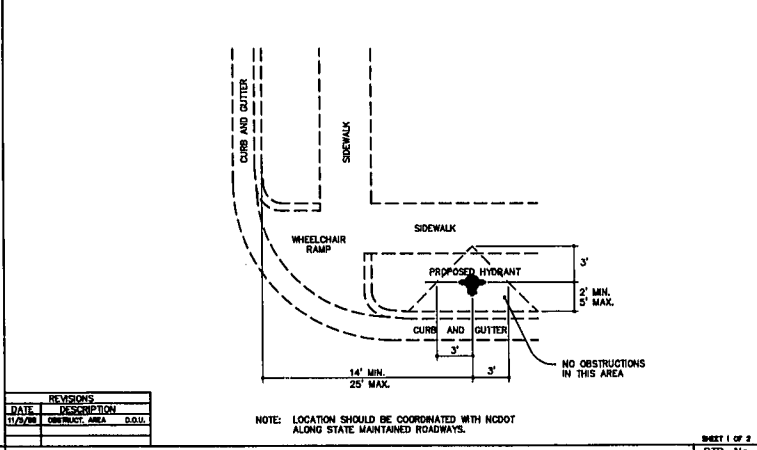
STANDARD REACTION BLOCKING STD. No. 6.12



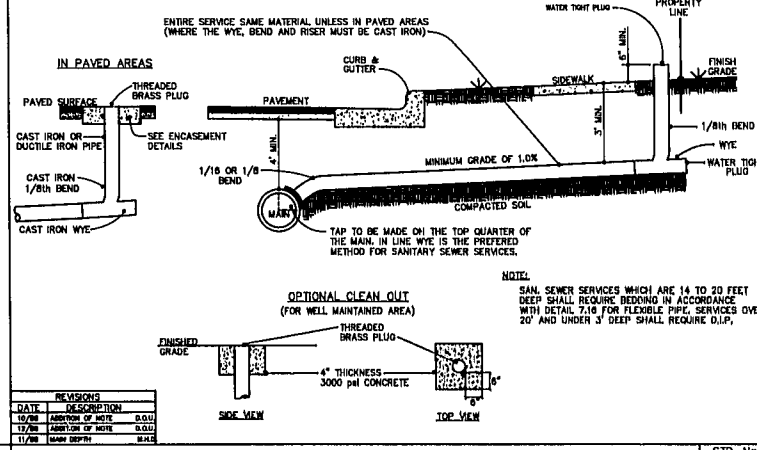
STANDARD MANHOLE RING AND COVER STD. No. 7.06



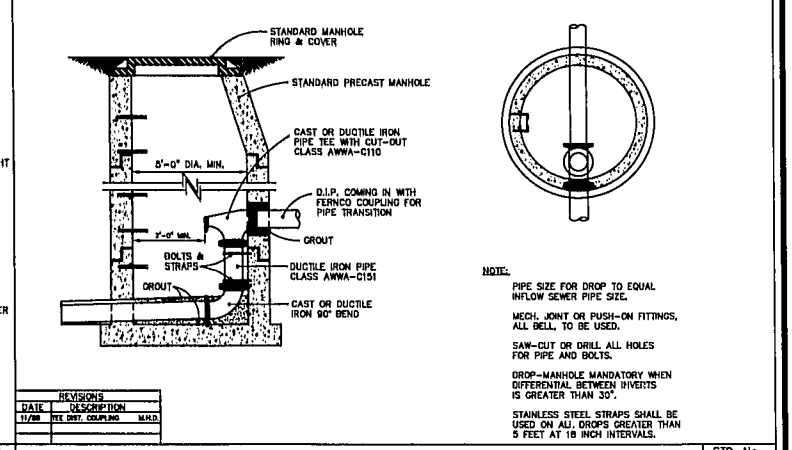
STANDARD 3/4" AND 1" METER BOX INSTALLATION STD. No. 6.01



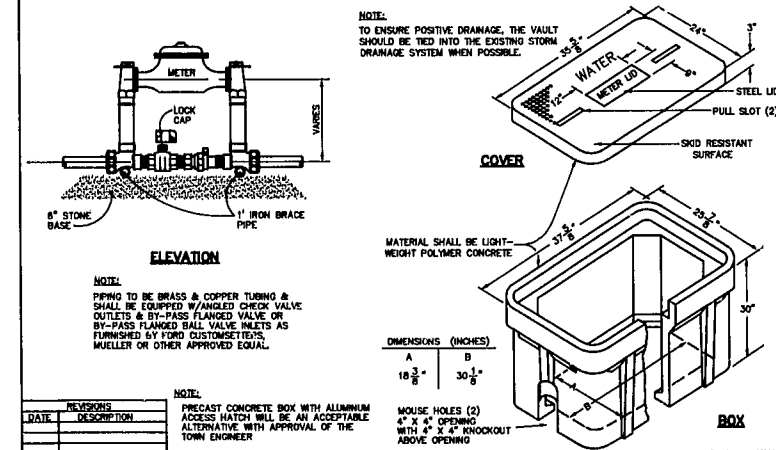
STANDARD HYDRANT LOCATION STD. No. 6.07



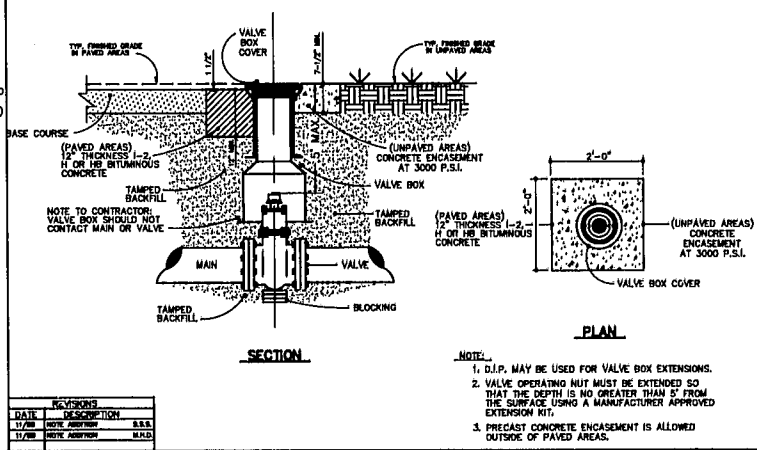
STANDARD SANITARY SEWER TAP AND SERVICE STD. No. 7.01



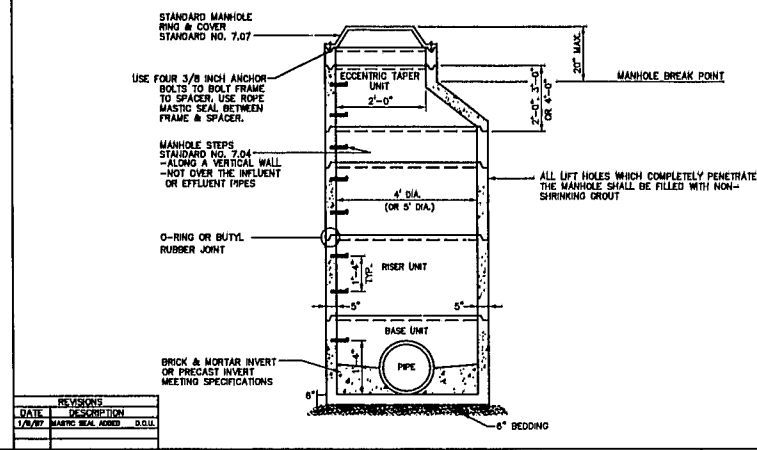
STANDARD INSIDE DROP MANHOLE STD. No. 7.09



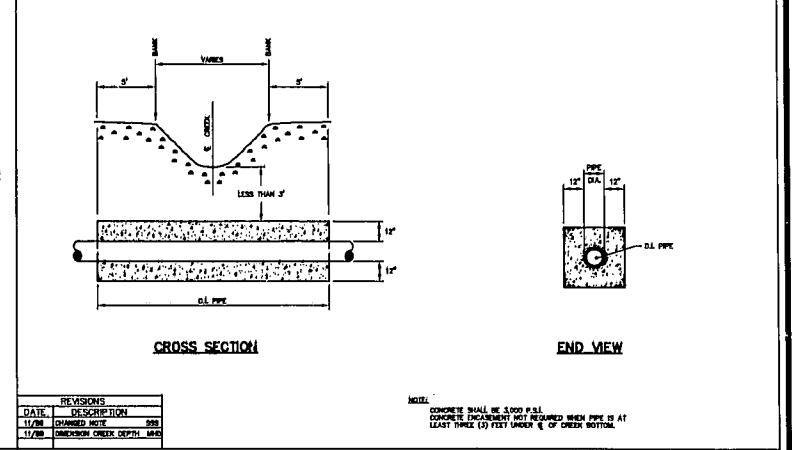
STANDARD 1-1/2" & 2" METER INSTALLATION AND VAULT STD. No. 6.02



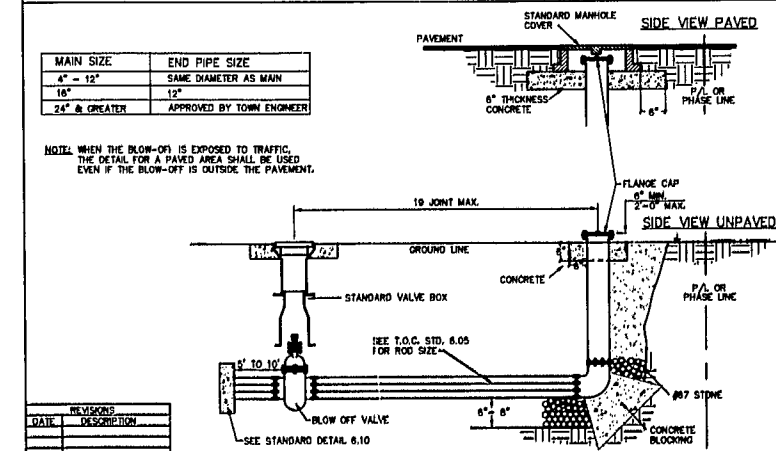
STANDARD VALVE BOX INSTALLATION STD. No. 6.08



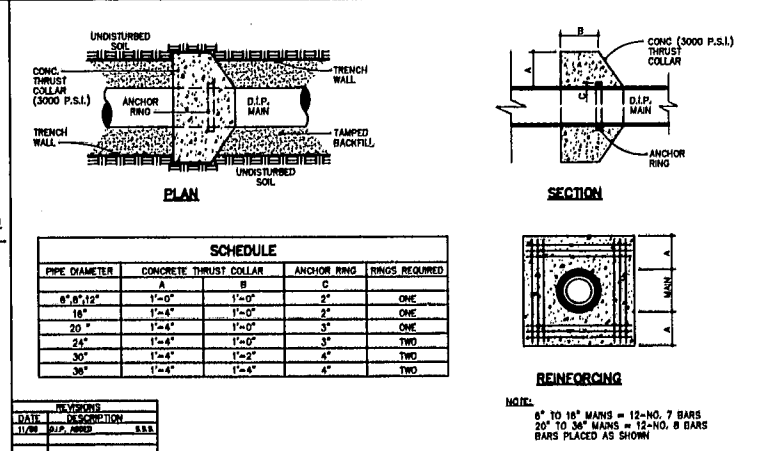
STANDARD PRECAST CONCRETE MANHOLE STD. No. 7.03



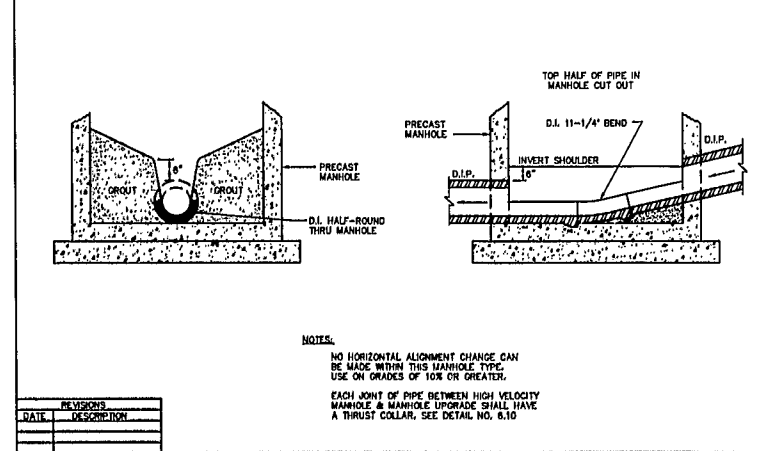
STANDARD CONCRETE ENCASMENT FOR STREAM CROSSING STD. No. 7.13



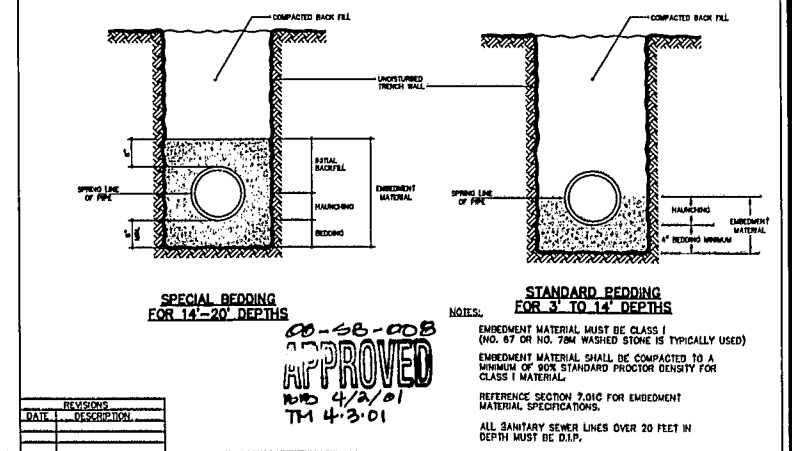
STANDARD BLOW-OFF ASSEMBLY STD. No. 6.04



STANDARD THRUST COLLAR INSTALLATION STD. No. 6.14



STANDARD HIGH VELOCITY MANHOLE INVERT STD. No. 7.05



BEDDING FOR FLEXIBLE & SEMI-RIGID SANITARY SEWER PIPE STD. No. 7.16

No.	Description	Date	By
A	LOC 1st REVIEW COMMENTS	12/17/00	GAS
B	LOC 2nd REVIEW COMMENTS	12/27/01	GAS
C	LOC FINAL APPROVAL	3/22/01	GAS