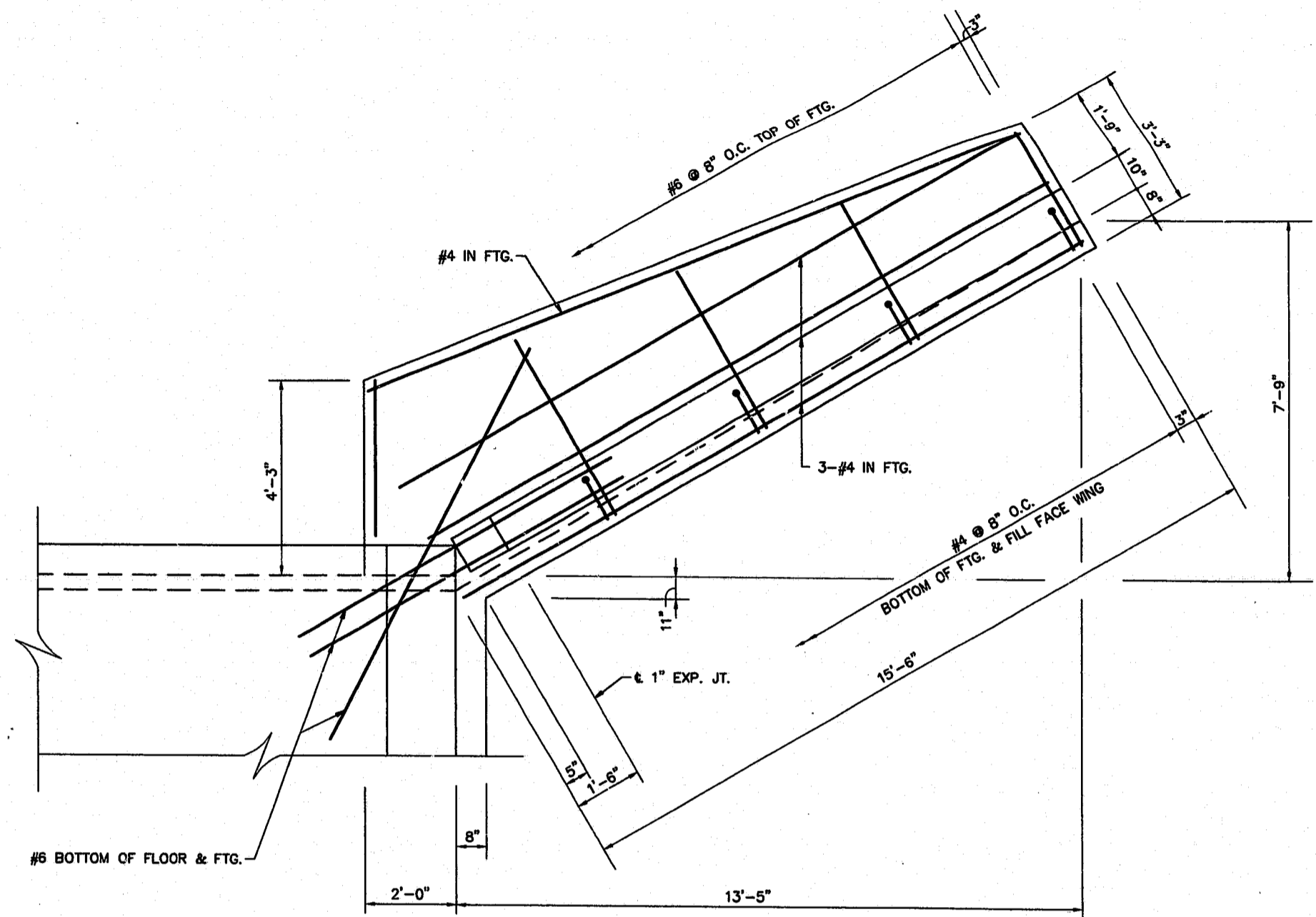
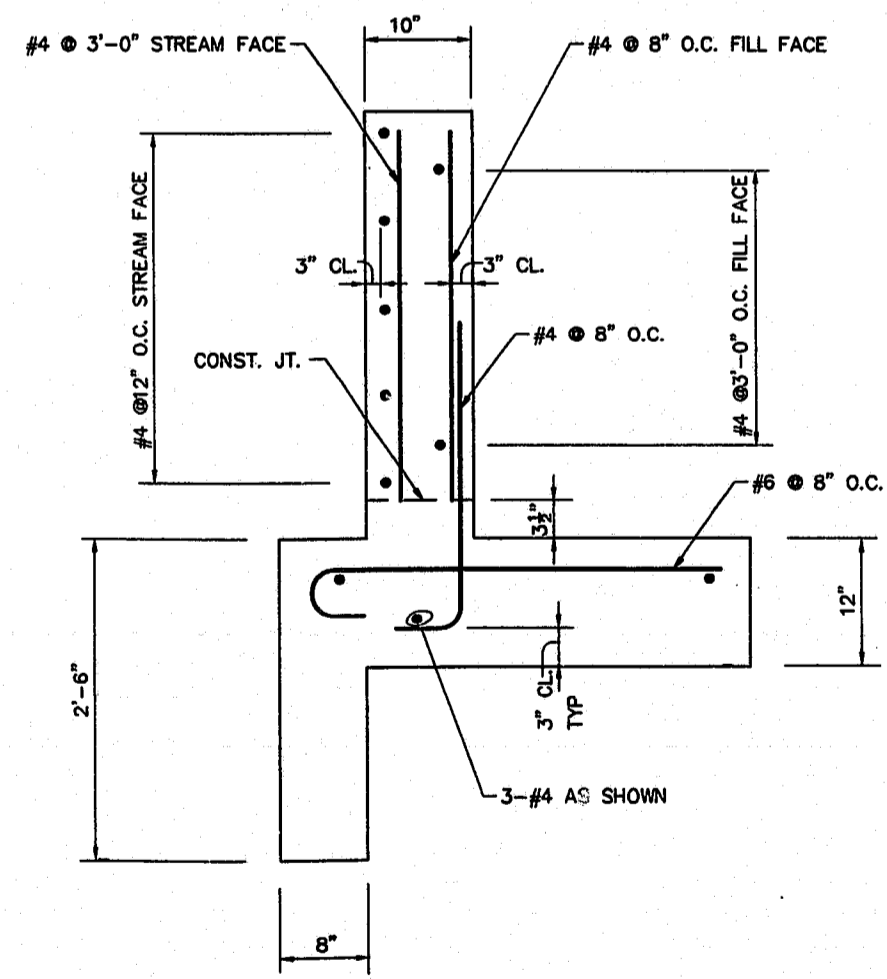


1 WING WALL ELEVATION 1/2" = 1'-0"



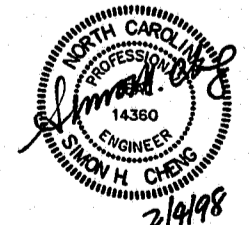
2 WING WALL PLAN 1/2" = 1'-0"



3 TYPICAL WING SECTION 1/2" = 1'-0"

FOR CONSTRUCTION

APPROVED
97-5P-258
02 3-2-98
TM 3-2-98



P.O. BOX 12054
RTP, NORTH CAROLINA 27709
(919) 380-8750 PHONE
(919) 380-8752 FAX

DWG. S3

WR WITHERS & RAVENEL Engineering & Surveying, Inc.
111 MacKanan Drive Cary, N.C. 27511
919-489-3340 FAX 919-487-0008

Revisions			
No.	Description	Date	By

CARY GLEN LAKE AND DAM
CARY, NORTH CAROLINA

CULVERT STRUCTURE LAYOUT & NOTES

Designer: SHC	Scale: 1/2" = 1'	CAD File
Drawn By: LSP	Date: 2/4/98	Sheet No. BX-3
Checked By: SHC	Job No. 97-105	of.