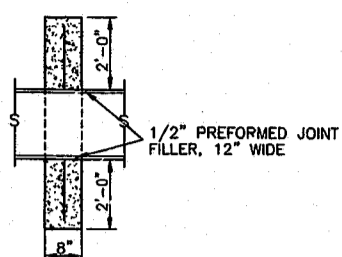


ELEVATION

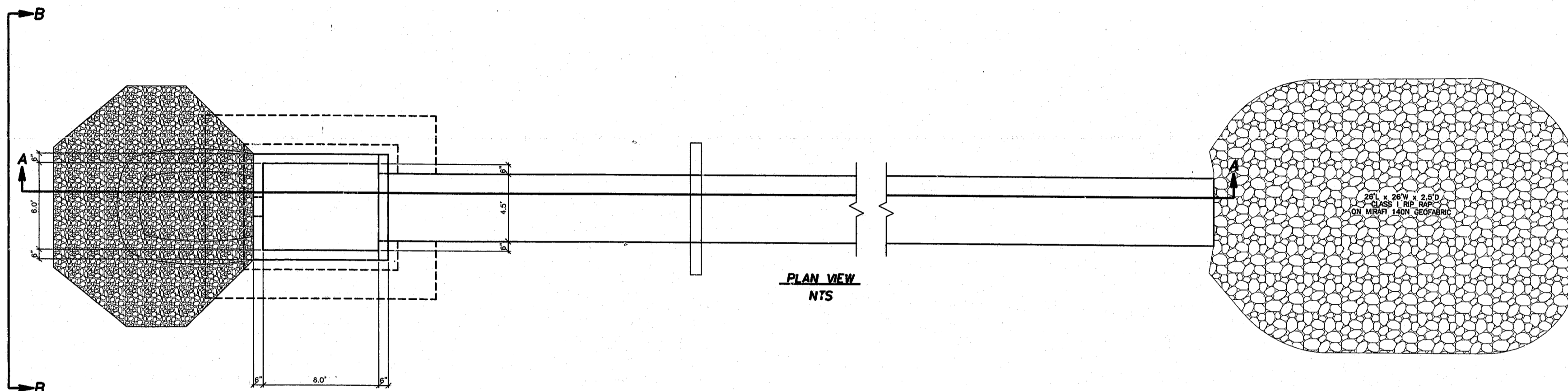
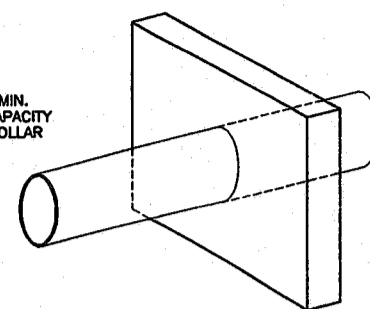


SECTION

ANTI-SEEP COLLAR

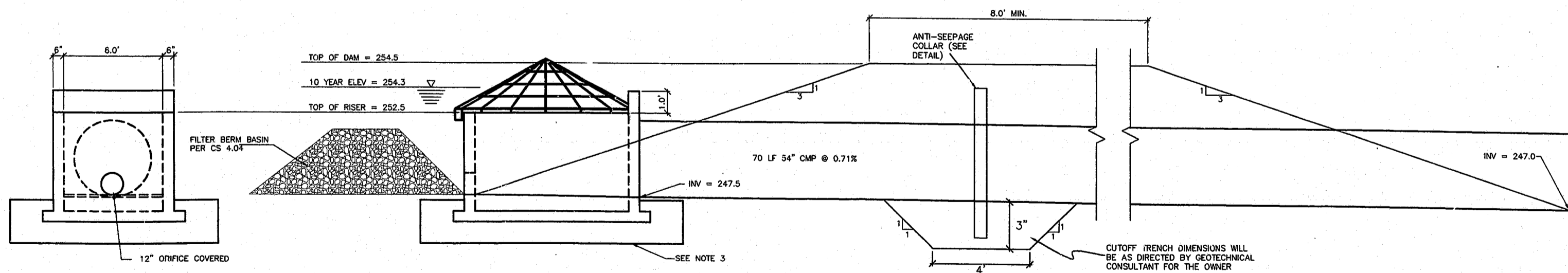
NTS

2000 PSF MIN. BEARING CAPACITY BENEATH COLLAR



PLAN VIEW

NTS



SECTION A-A

NTS

VIEW B-B

NTS

47-6P-248
APPROVED
 11/14/97
 TM 3-3-98

- OUTLET STRUCTURE NOTES:
1. ALL EMBANKMENT/EXCAVATION FOR THE DAM WILL BE AS DIRECTED AND MONITORED BY THE GEOTECHNICAL CONSULTANT FOR THE OWNER.
 2. THE OUTLET STRUCTURE MAY BE PRECAST OR CAST-IN-PLACE CONCRETE, 6" WALL THICKNESS, #4 REBAR @ 12" OC EACH WAY AND KEYED CONSTRUCTION JOINTS WITH EMBEDDED WATERSTOP AT ALL CONSTRUCTION JOINTS.
 3. FOOTING IS 8'L x 8'W x 2'-3,000 PSI CONCRETE.



FOR CONSTRUCTION

WITHERS & RAVENEL Engineering & Surveying, Inc.
 111 MacKenan Drive • Cary, N.C. 27511
 919-469-3340 FAX 919-467-6008

Revisions			
No.	Description	Date	By

CARY GLEN LAKE

RISER BASIN #1

Designer W&R	Scale NTS
Drawn By ATB	Date 11/4/97
Checked By SFR	Job No. 97010

CAD File
97010\SHY_EC-3
 Sheet No.
EC-3