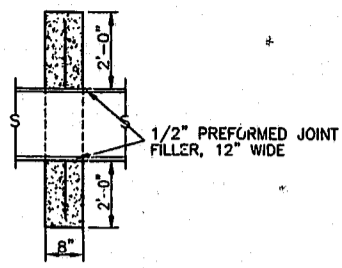


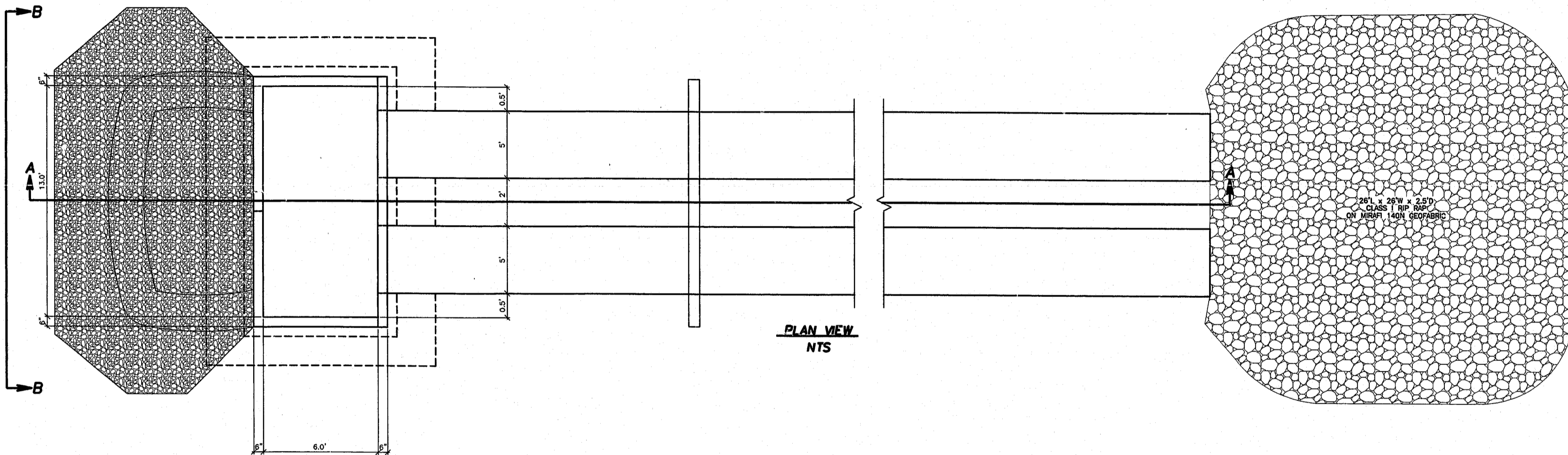
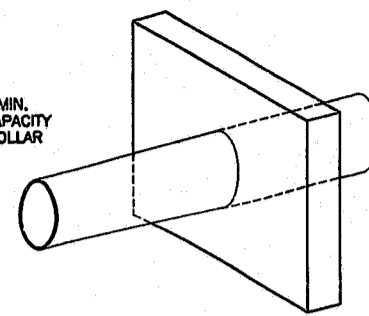
ELEVATION



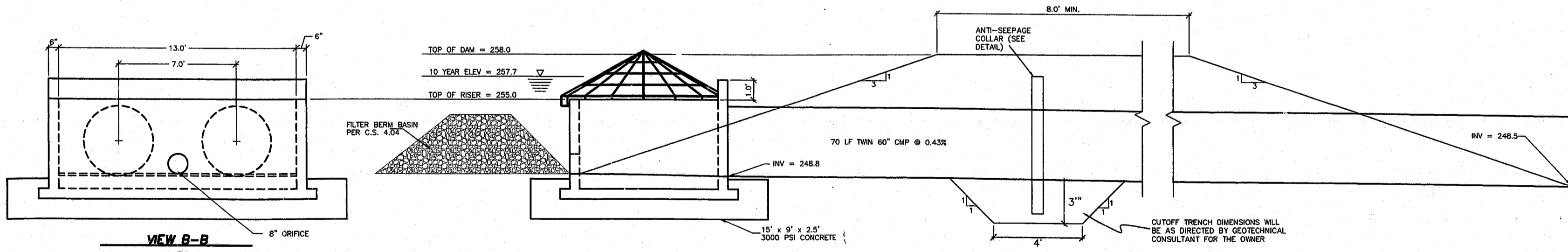
SECTION

ANTI-SEEP COLLAR  
NTS

2000 PSF MIN.  
BEARING CAPACITY  
BENEATH COLLAR



PLAN VIEW  
NTS



SECTION A-A  
NTS

- OUTLET STRUCTURE NOTES:
1. ALL EMBANKMENT/EXCAVATION FOR THE DAM WILL BE AS DIRECTED AND MONITORED BY THE GEOTECHNICAL CONSULTANT FOR THE OWNER.
  2. THE OUTLET STRUCTURE MAY BE PRECAST OR CAST-IN-PLACE CONCRETE, 6" WALL THICKNESS, #4 REBAR @ 12" OC EACH WAY AND KEVD CONSTRUCTION JOINTS WITH EMBEDDED WATERSTOP AT ALL CONSTRUCTION JOINTS.

FOR CONSTRUCTION

97-52-248  
APPROVED  
ATB  
Checked By  
SFR  
TM 3-3-98

SEAL  
107-97  
9912  
ENGINEER  
SAMUEL E. RAVENEL  
J. R. Kaul

**WITHERS & RAVENEL Engineering & Surveying, Inc.**  
111 Mackenan Drive • Cary, N.C. 27511  
919-469-3340 FAX 919-467-6008

Revisions			
No.	Description	Date	By

**CARY GLEN LAKE**

**RISER BASIN #2**

Designer W&R	Scale NTS
Drawn By ATB	Date 11/4/97
Checked By SFR	Job No. 97010

CAD File  
97010\_SHT\_EC-4  
Sheet No.  
**EC-4**