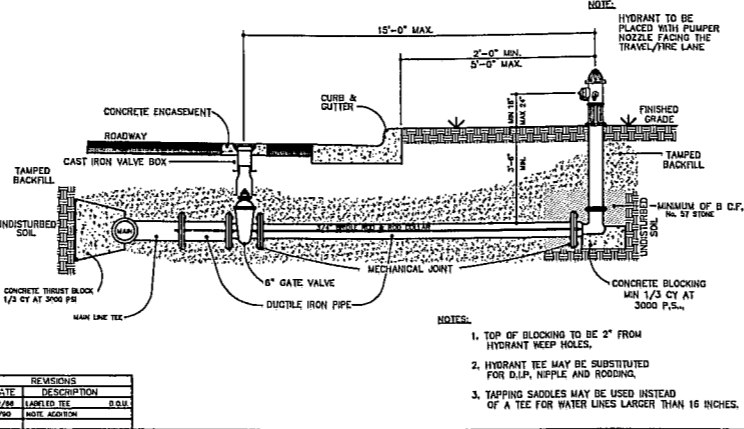
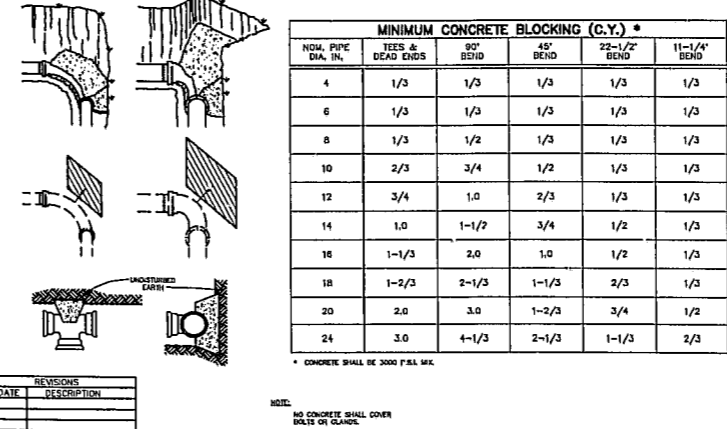


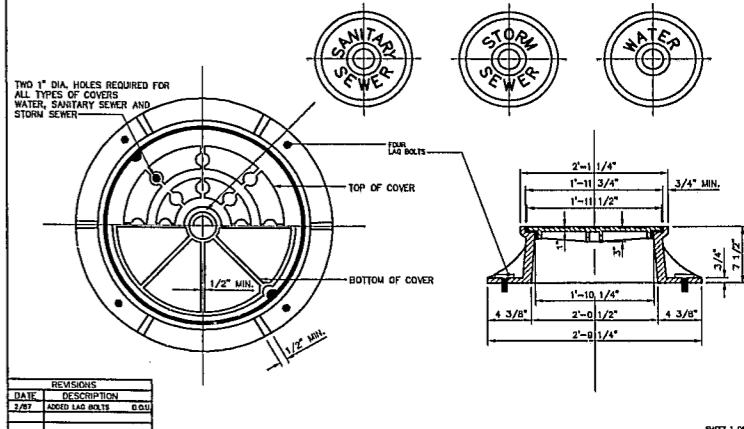
CARRIER PIPE STD. No. 5.02



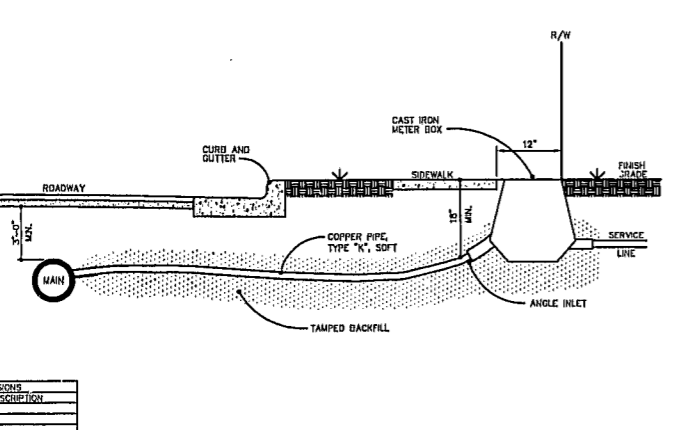
STANDARD HYDRANT INSTALLATION STD. No. 6.06



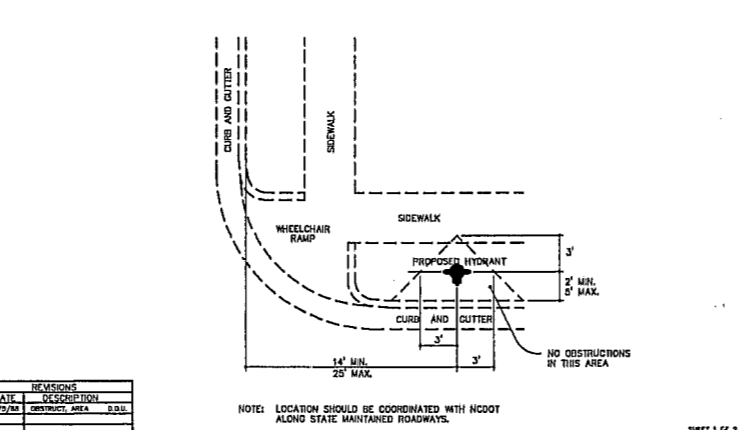
STANDARD REACTION BLOCKING STD. No. 6.12



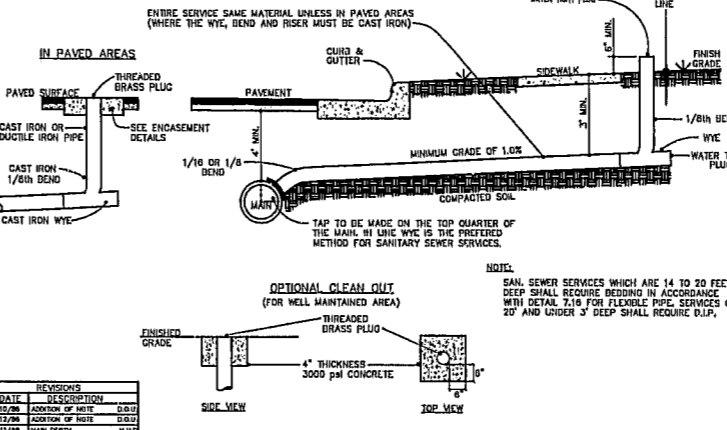
STANDARD MANHOLE RING AND COVER STD. No. 7.06



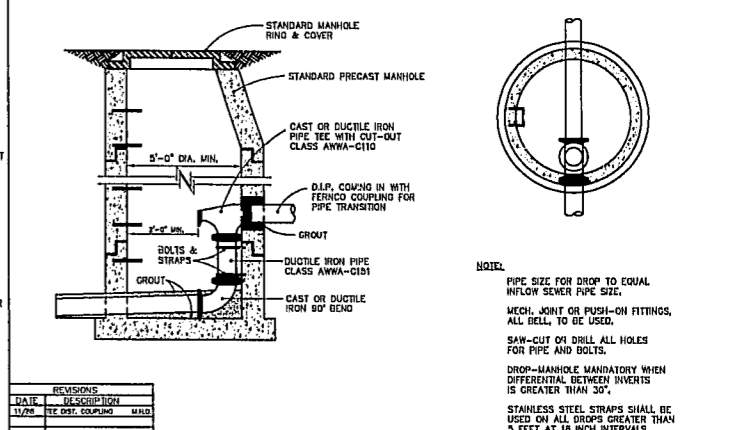
STANDARD 3/4" AND 1" METER BOX INSTALLATION STD. No. 6.01



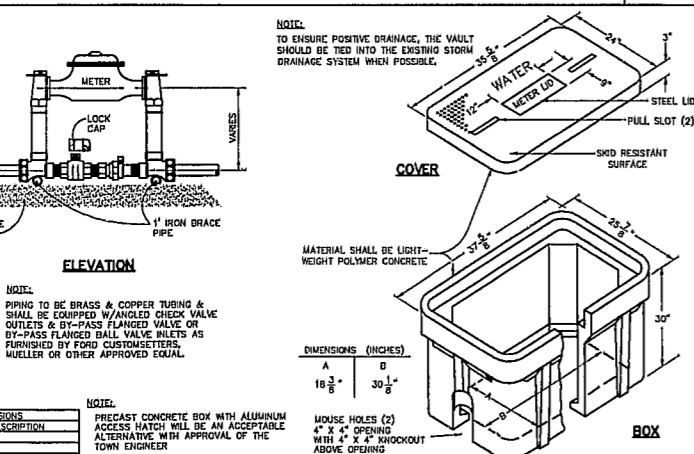
STANDARD HYDRANT LOCATION STD. No. 6.07



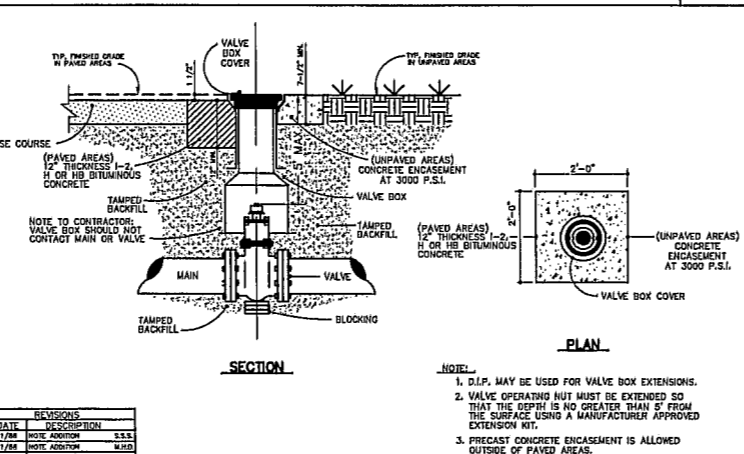
STANDARD SANITARY SEWER TAP AND SERVICE STD. No. 7.01



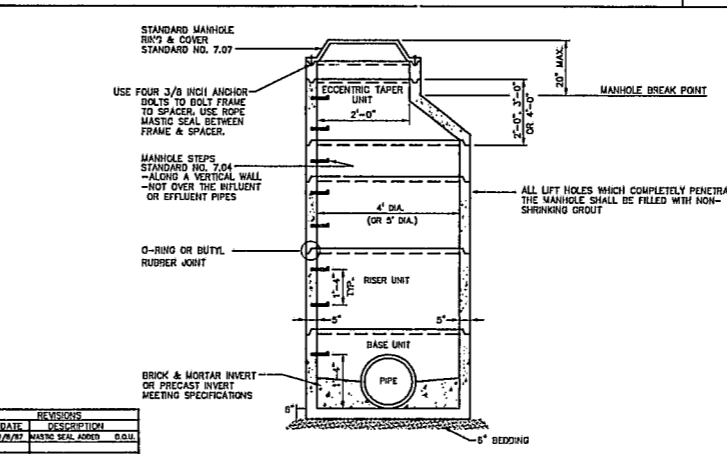
STANDARD INSIDE DROP MANHOLE STD. No. 7.09



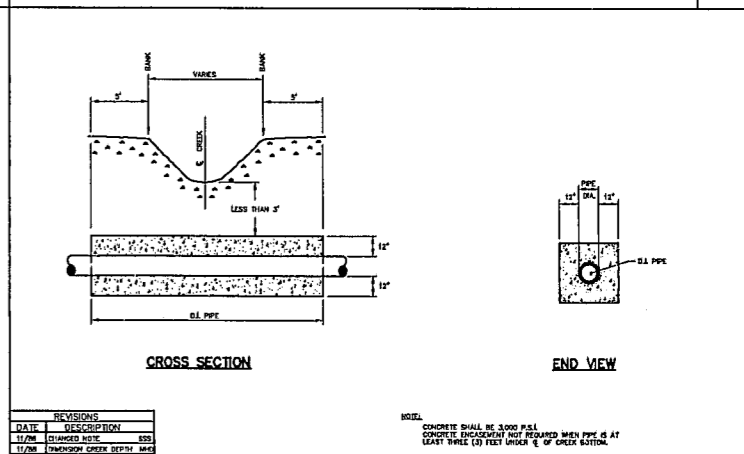
STANDARD 1-1/2" & 2" METER INSTALLATION AND VAULT STD. No. 6.02



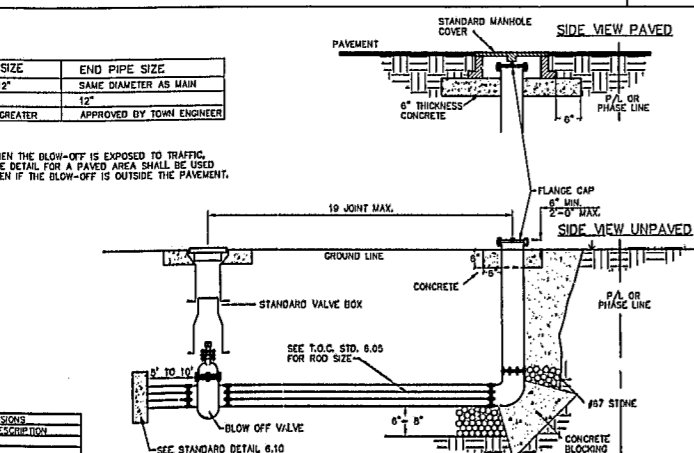
STANDARD VALVE BOX INSTALLATION STD. No. 6.08



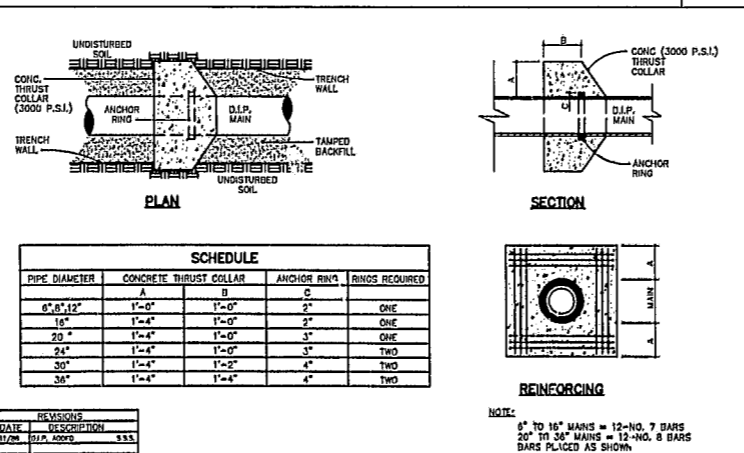
STANDARD PRECAST CONCRETE MANHOLE STD. No. 7.03



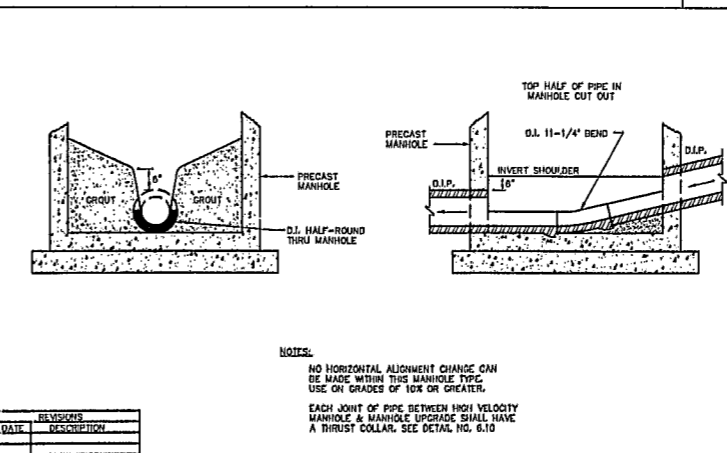
STANDARD CONCRETE ENCASEMENT FOR STREAM CROSSING STD. No. 7.13



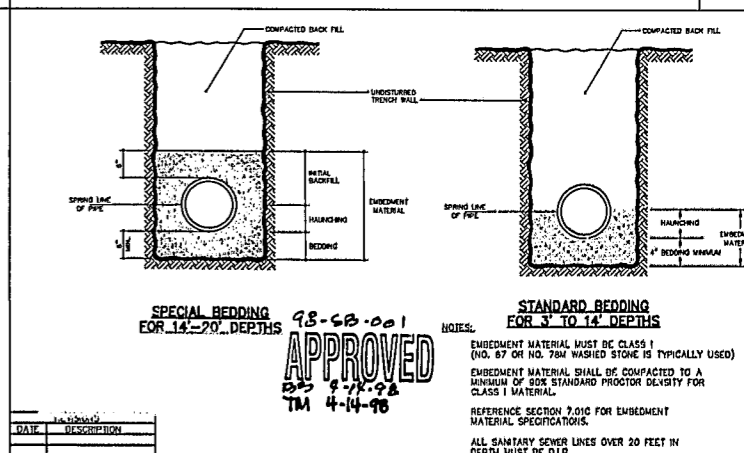
STANDARD BLOW-OFF ASSEMBLY STD. No. 6.04



STANDARD THRUST COLLAR INSTALLATION STD. No. 6.10



STANDARD HIGH VELOCITY MANHOLE INVERT STD. No. 7.05



BEDDING FOR FLEXIBLE & SEMI-RIGID SANITARY SEWER PIPE STD. No. 7.16

K:\CADD\9-19-07\15419 F1 Jan 23 10:58:05 1998 WITHERS & RAVENEL ENGINEERING & SURVEYING, INC.

WITHERS & RAVENEL Engineering & Surveying, Inc.
 111 MacKenan Drive • Cary, N.C. 27511
 919-469-3340 FAX 919-467-6008

Revisions

No.	Description	Date	By
A	100 1st REVIEW COMMENTS	1/22/98	GAS

CARY GLEN P.U.D.
 PARCELS SF-1A AND SF-1B

UTILITY DETAILS

Designer	Scale	CAD File
W&R	NTS	SHT9.DWG
Drawn By	Date	Sheet No.
GAS	10/30/97	9
Checked By	Job No.	of
VEC	67077	