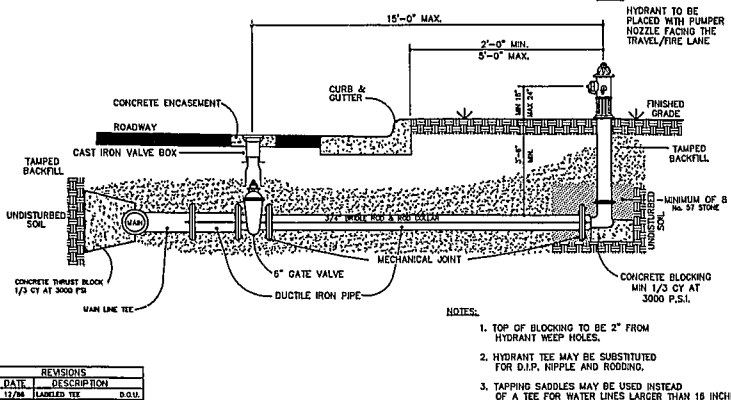


REVISIONS
DATE DESCRIPTION
BY/APP

CARRIER PIPE

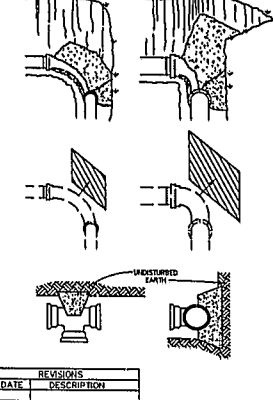
STD. No. 5.02



REVISIONS
DATE DESCRIPTION
BY/APP

STANDARD HYDRANT INSTALLATION

STD. No. 6.08



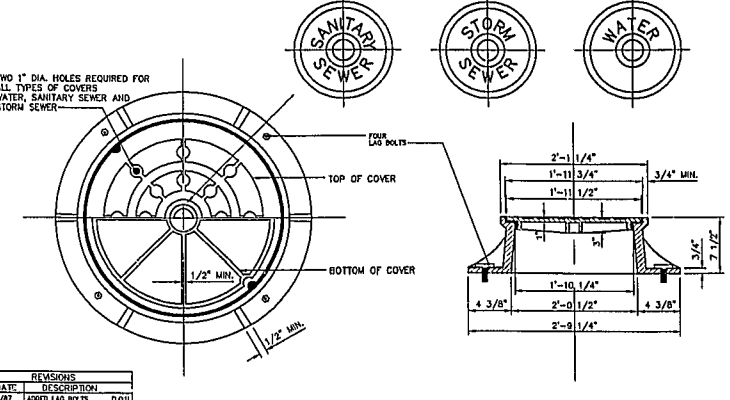
REVISIONS
DATE DESCRIPTION
BY/APP

STANDARD REACTION BLOCKING

STD. No. 6.12

NOM. PIPE DIA. IN.	MINIMUM CONCRETE BLOCKING (C.Y.) *				
	45° BEND	90° BEND	22-1/2° BEND	11-1/4° BEND	1/3
4	1/3	1/3	1/3	1/3	1/3
8	1/3	1/3	1/3	1/3	1/3
8	1/3	1/2	1/3	1/3	1/3
10	2/3	3/4	1/2	1/3	1/3
12	3/4	1.0	2/3	1/3	1/3
14	1.0	1-1/2	3/4	1/2	1/3
16	1-1/3	2.0	1.0	1/2	1/3
18	1-2/3	2-1/3	1-1/3	2/3	1/3
20	2.0	3.0	1-2/3	3/4	1/2
24	3.0	4-1/3	2-1/3	1-1/3	2/3

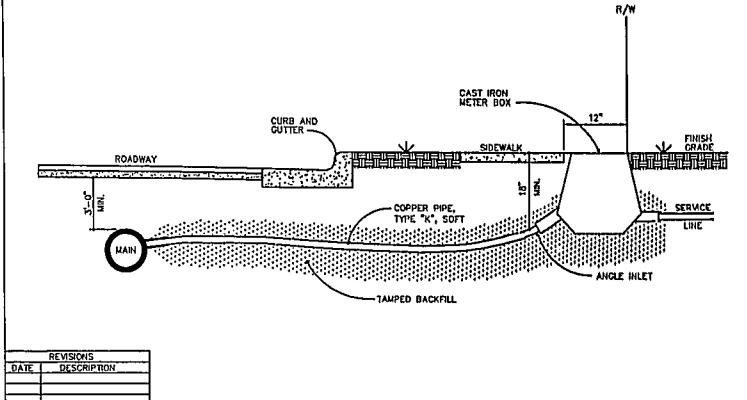
* CONCRETE SHALL BE 3000 P.S.I. W/C.



REVISIONS
DATE DESCRIPTION
BY/APP

STANDARD MANHOLE RING AND COVER

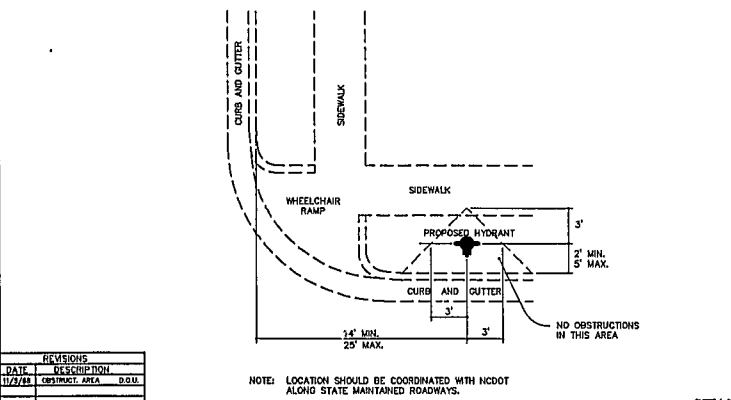
STD. No. 7.06



REVISIONS
DATE DESCRIPTION
BY/APP

STANDARD 3/4" AND 1" METER BOX INSTALLATION

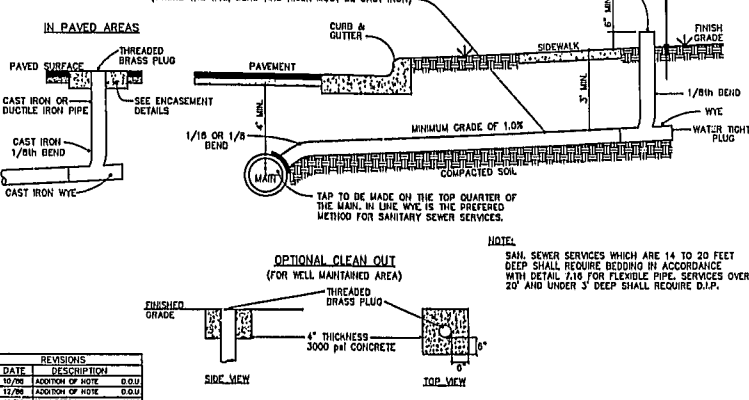
STD. No. 6.01



REVISIONS
DATE DESCRIPTION
BY/APP

STANDARD HYDRANT LOCATION

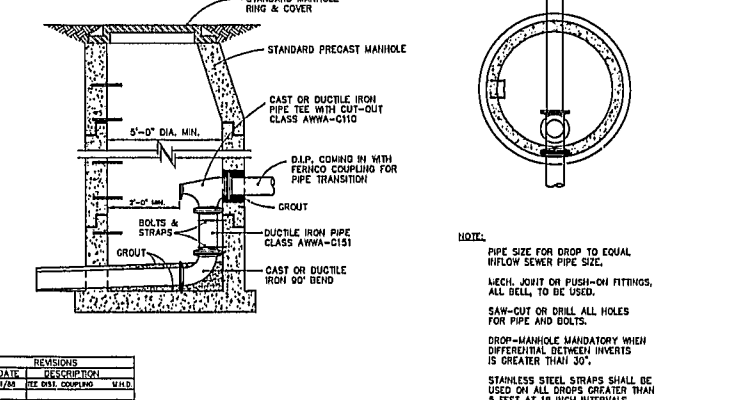
STD. No. 6.07



REVISIONS
DATE DESCRIPTION
BY/APP

STANDARD SANITARY SEWER TAP AND SERVICE

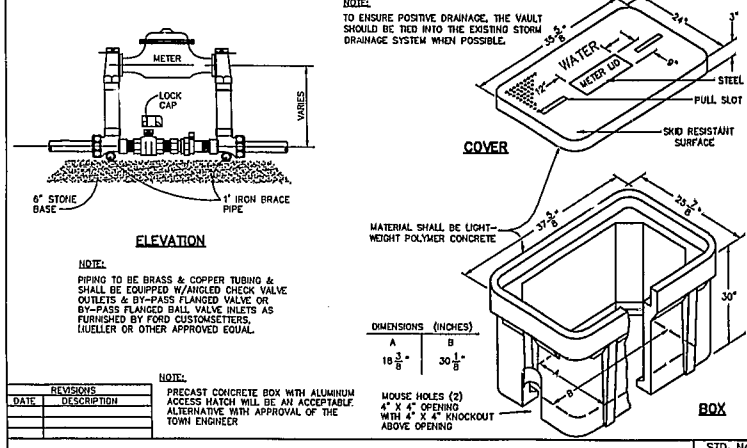
STD. No. 7.01



REVISIONS
DATE DESCRIPTION
BY/APP

STANDARD INSIDE DROP MANHOLE

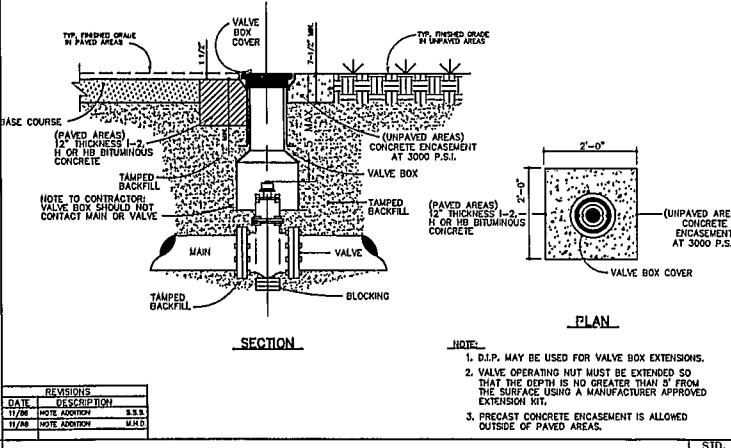
STD. No. 7.09



REVISIONS
DATE DESCRIPTION
BY/APP

STANDARD 1-1/2" & 2" METER INSTALLATION AND VAULT

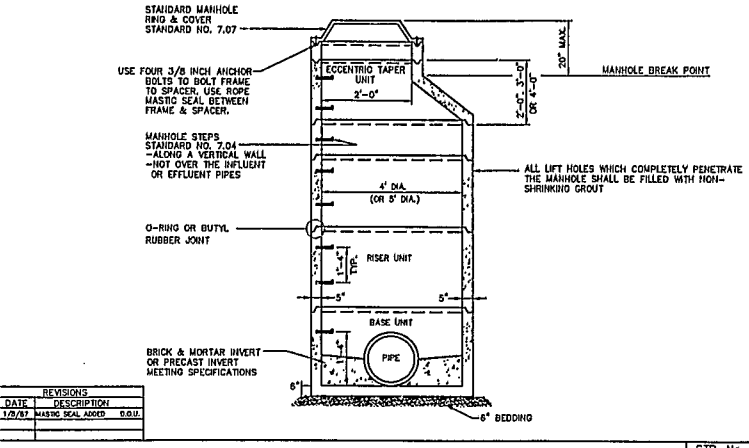
STD. No. 6.02



REVISIONS
DATE DESCRIPTION
BY/APP

STANDARD VALVE BOX INSTALLATION

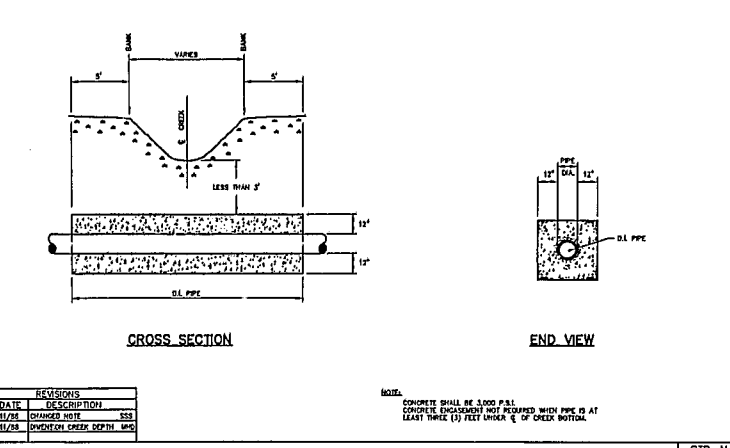
STD. No. 6.08



REVISIONS
DATE DESCRIPTION
BY/APP

STANDARD PRECAST CONCRETE MANHOLE

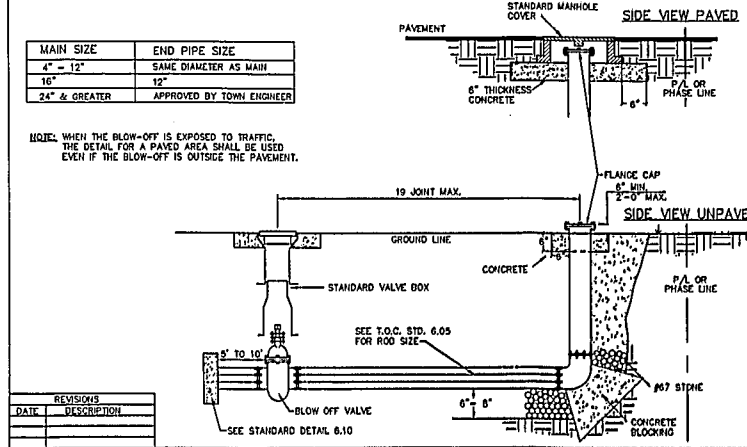
STD. No. 7.03



REVISIONS
DATE DESCRIPTION
BY/APP

STANDARD CONCRETE ENCASEMENT FOR STREAM CROSSING

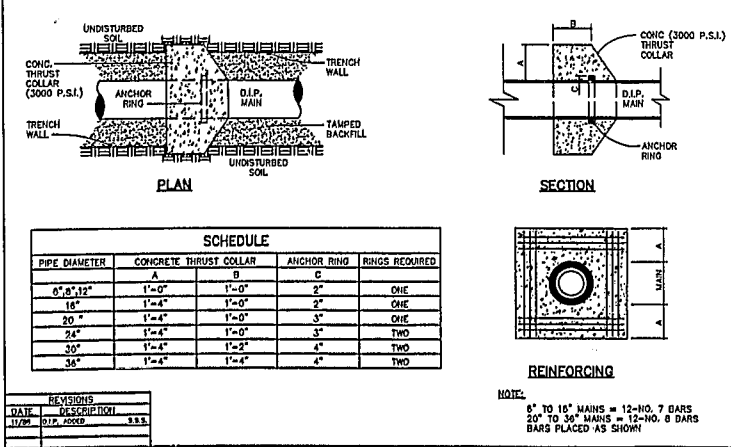
STD. No. 7.13



REVISIONS
DATE DESCRIPTION
BY/APP

STANDARD BLOW-OFF ASSEMBLY

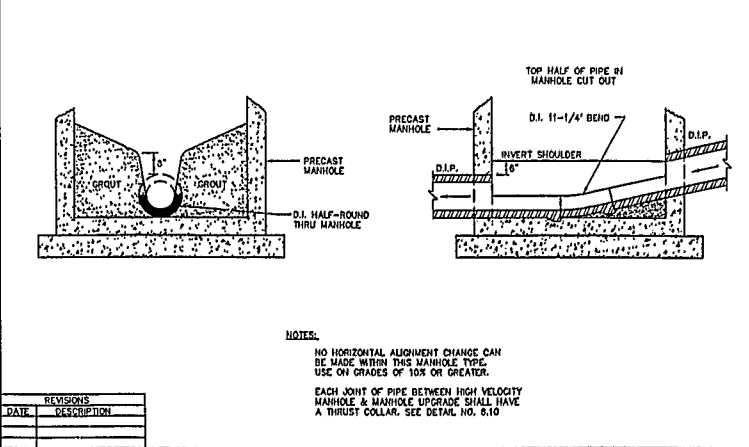
STD. No. 6.04



REVISIONS
DATE DESCRIPTION
BY/APP

STANDARD THRUST COLLAR INSTALLATION

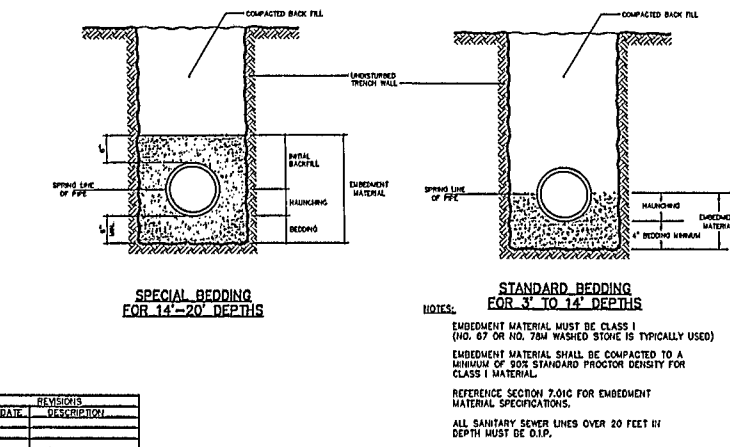
STD. No. 6.14



REVISIONS
DATE DESCRIPTION
BY/APP

STANDARD HIGH VELOCITY MANHOLE INVERT

STD. No. 7.05



REVISIONS
DATE DESCRIPTION
BY/APP

BEDDING FOR FLEXIBLE & SEMI-RIGID SANITARY SEWER PIPE

STD. No. 7.16

WITHERS & RAVENEL Engineering & Surveying, Inc.
 111 MacKenan Drive · Cary, N.C. 27511
 919-469-3340 FAX 919-467-6008

Revisions			
No.	Description	Date	By
A	100-181 REVIEW COMMENTS	8/29/01	OAS
B	100-181 REVIEW COMMENTS	10/23/01	OAS
C	100-181 FINAL APPROVAL	10/23/01	OAS

CARY PARK PARCEL SF-8a
 CARY PARK P.U.D.

UTILITY DETAILS
 01-58-003
 APPROVED
 TOWN OF CARY
 DRC 9/18/01 Date
 Planning 10/12/01 Date
 ENG. TS 10/10/01

Designer	W&R	Scale	NTS	CAD File	SHTS.DWG
Drawn By	GAS	Date	5/2/01	Sheet No.	6 of 1
Checked By	JEC	Job No.	201135		

K:\0101-130101-135SHTS.DWG, 10/25/2001 11:20:35 AM, WITHERS & RAVENEL ENGINEERING & SURVEYING