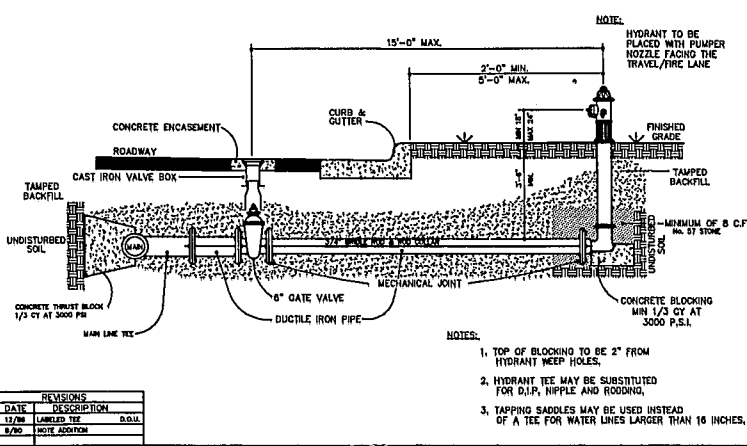


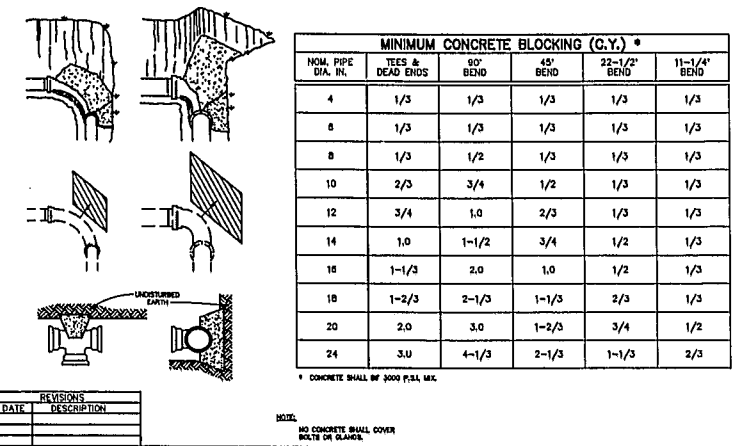
CARRIER PIPE

STD. No. 5.02



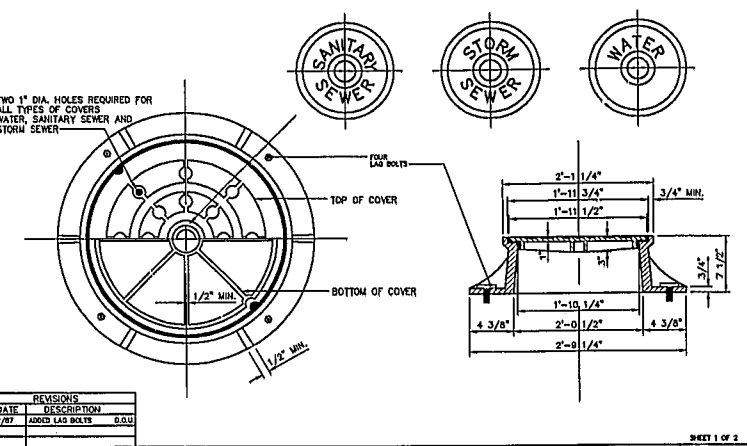
STANDARD HYDRANT INSTALLATION

STD. No. 6.06



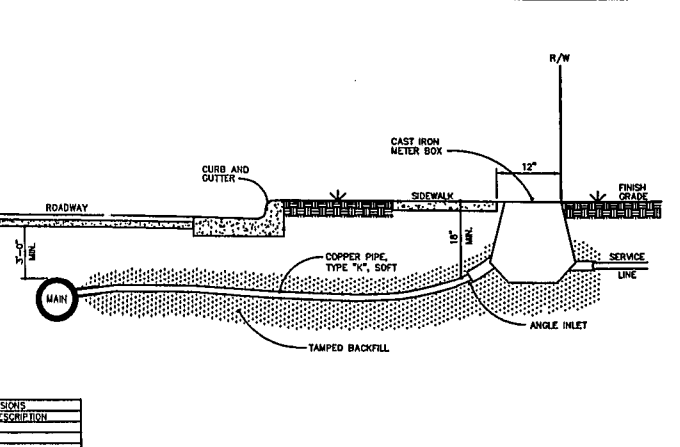
STANDARD REACTION BLOCKING

STD. No. 6.12



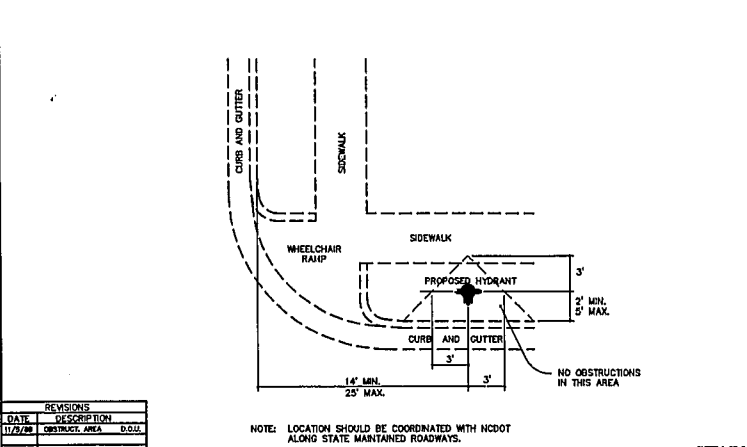
STANDARD MANHOLE RING AND COVER

STD. No. 7.06



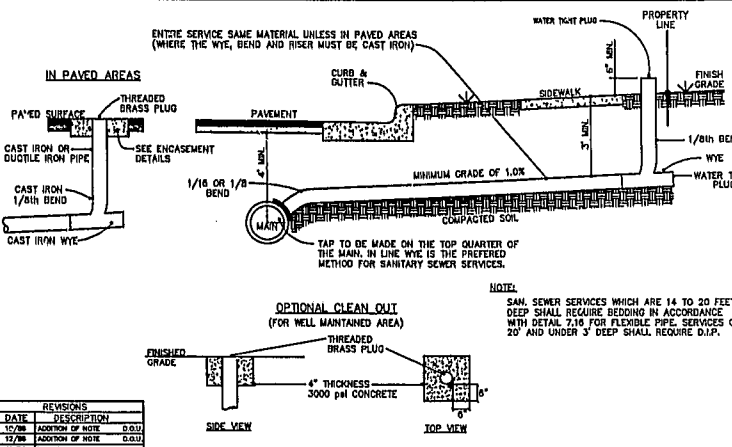
STANDARD 3/4" AND 1" METER BOX INSTALLATION

STD. No. 6.01



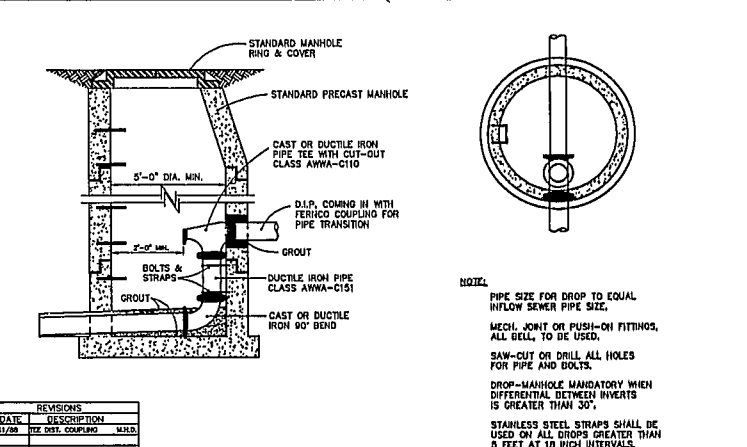
STANDARD HYDRANT LOCATION

STD. No. 6.07



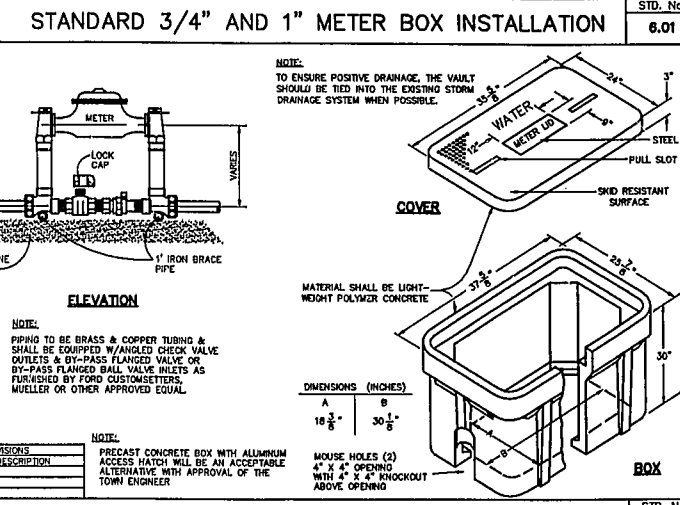
STANDARD SANITARY SEWER TAP AND SERVICE

STD. No. 7.01



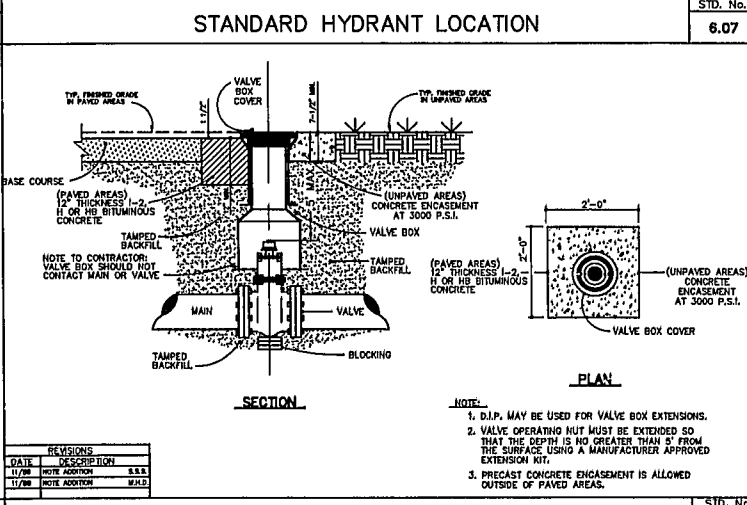
STANDARD INSIDE DROP MANHOLE

STD. No. 7.09



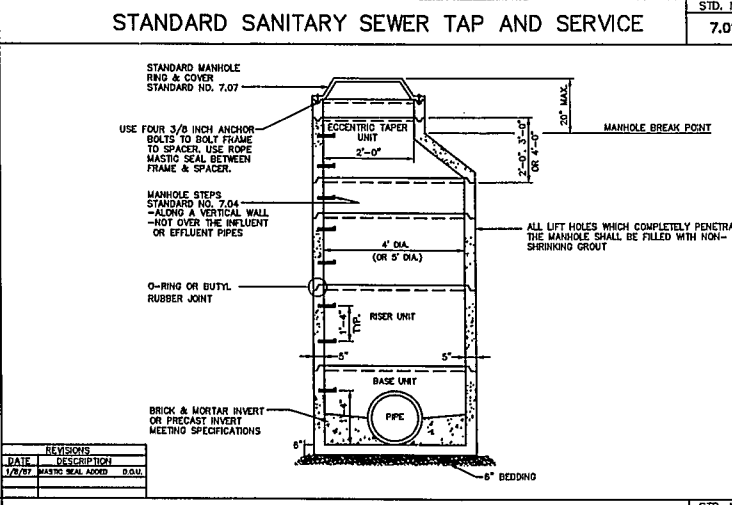
STANDARD 1-1/2" & 2" METER INSTALLATION AND VAULT

STD. No. 6.02



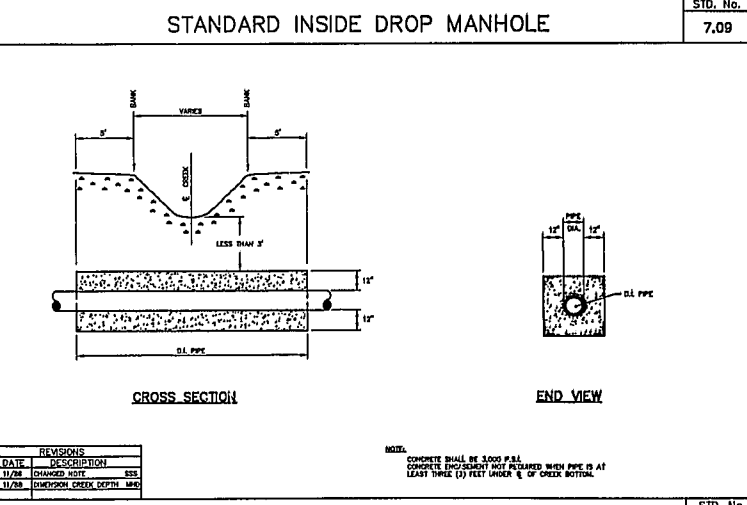
STANDARD VALVE BOX INSTALLATION

STD. No. 6.08



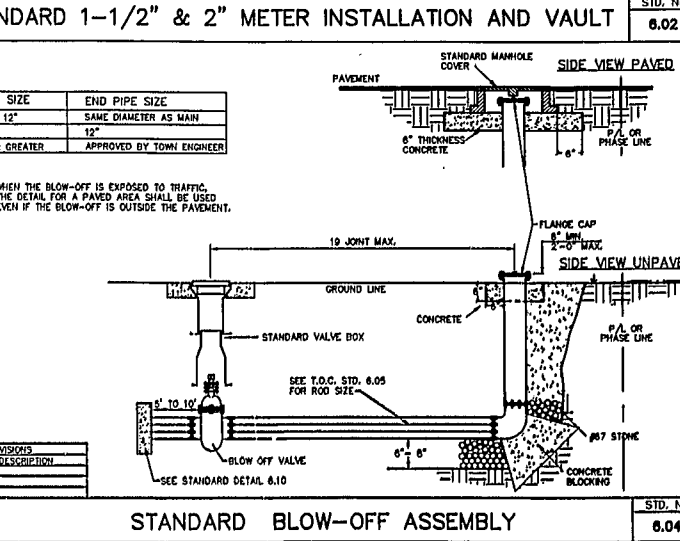
STANDARD PRECAST CONCRETE MANHOLE

STD. No. 7.03



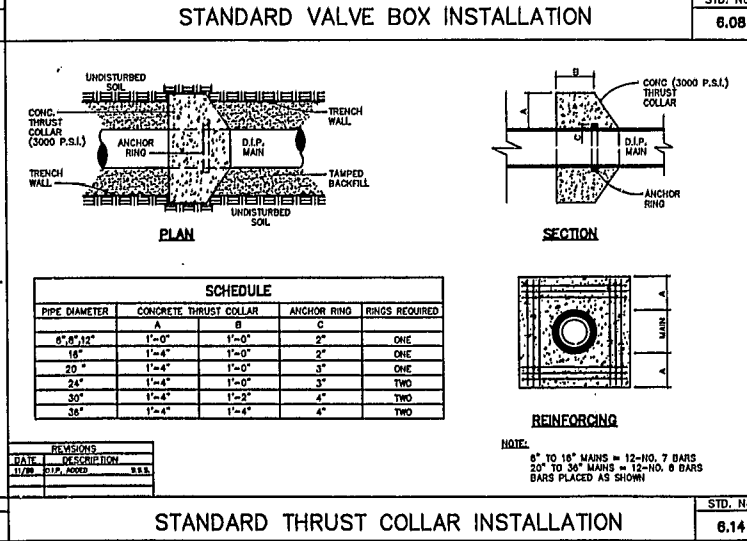
STANDARD CONCRETE ENCASEMENT FOR STREAM CROSSING

STD. No. 7.13



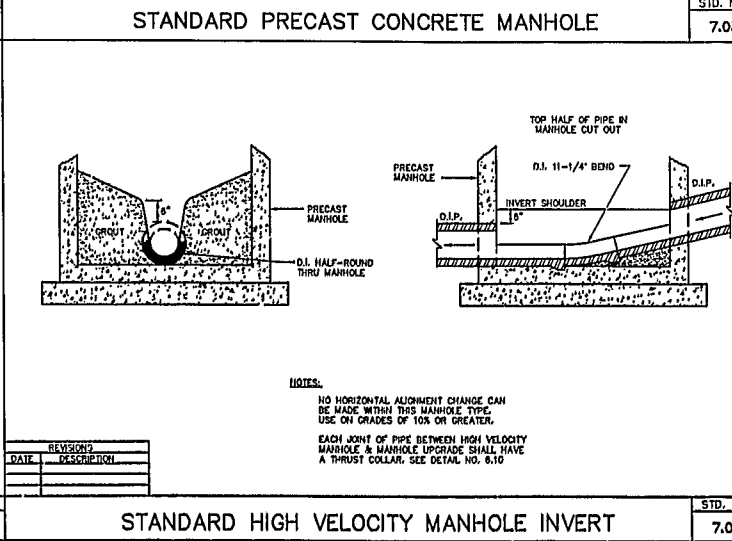
STANDARD BLOW-OFF ASSEMBLY

STD. No. 6.04



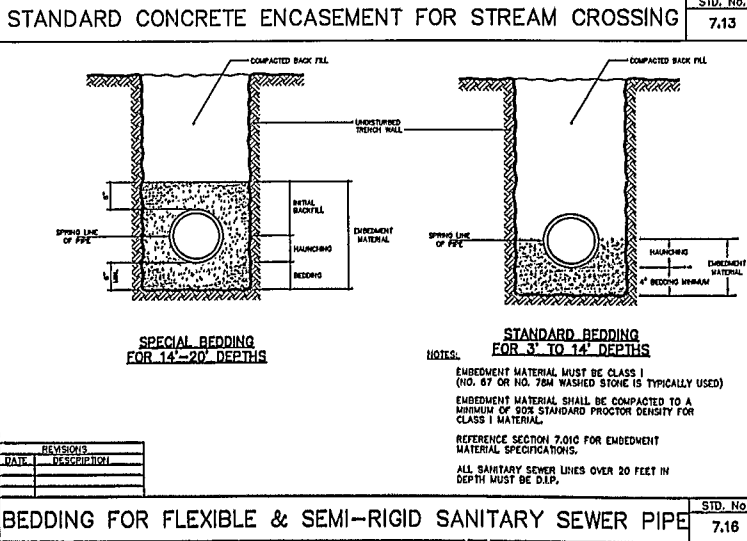
STANDARD THRUST COLLAR INSTALLATION

STD. No. 6.14



STANDARD HIGH VELOCITY MANHOLE INVERT

STD. No. 7.05



BEDDING FOR FLEXIBLE & SEMI-RIGID SANITARY SEWER PIPE

STD. No. 7.16

WITHERS & RAVENEL Engineering & Surveying, Inc.
 111 MacKenan Drive - Cary, N.C. 27511
 919-469-3340 FAX 919-467-6008

Revisions	No.	Description	Date	By
A	1	REVISED COMMENTS	6/27/01	GAS
B	2	REVISED COMMENTS	7/23/01	GAS
C	3	FINAL APPROVAL	10/23/01	GAS

CARY PARK PARCEL SF-8a
 CARY PARK P.U.D.

UTILITY DETAILS

01-58-003
 APPROVED
 TOWN OF CARY

DRG 9/13/01
 Planning 8/22/01
 ENG. 7/5

0/10/01

Designer: W&R
 Scale: NTS
 Drawn By: Date: 5/2/01
 Checked By: Job No.: 201135
 6 of 6

K:\0101-13001\135SHTS.DWG, 10/25/2001 11:20:35 AM, WITHERS & RAVENEL ENGINEERING & SURVEYING