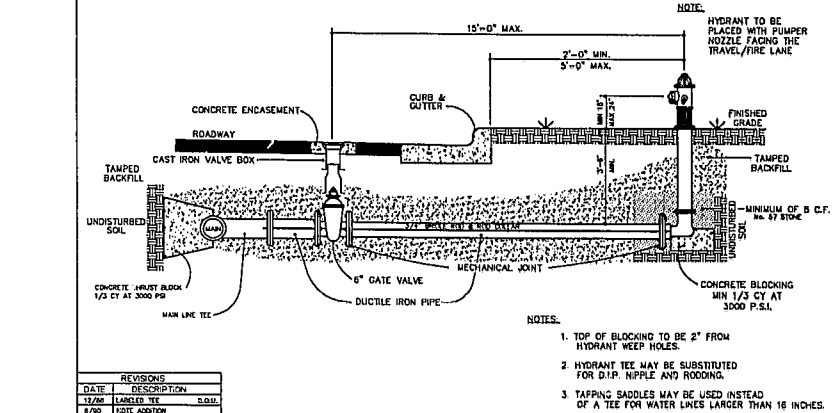


CARRIER PIPE



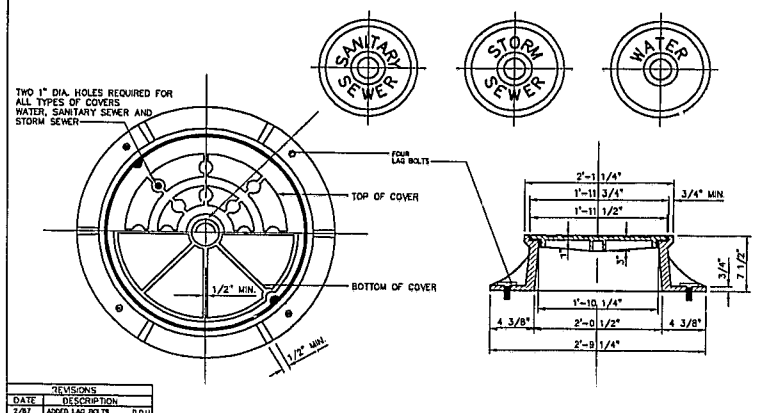
STANDARD HYDRANT INSTALLATION

MINIMUM CONCRETE BLOCKING (C.Y.) *

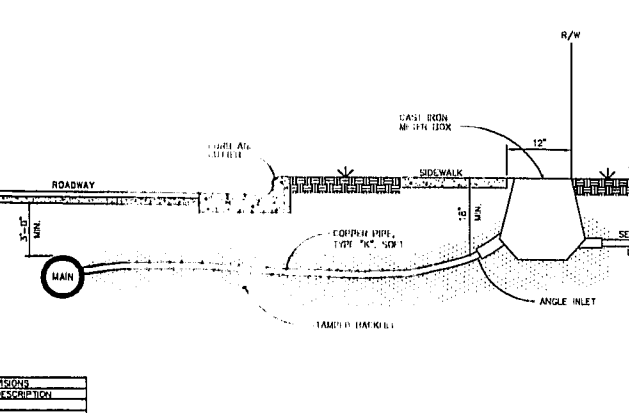
NOM. PIPE DIA. IN.	TEES & DEAD ENDS	90° BEND	45° BEND	22-1/2° BEND	11-1/4° BEND
4	1/3	1/3	1/3	1/3	1/3
6	1/3	1/3	1/3	1/3	1/3
8	1/3	1/2	1/2	1/3	1/3
10	2/3	3/4	1/2	1/3	1/3
12	3/4	1.0	2/3	1/3	1/3
14	1.0	1-1/2	3/4	1/2	1/3
16	1-1/3	2.0	1.0	1/2	1/3
18	1-2/3	2-1/3	1-1/3	2/3	1/3
20	2.0	3.0	1-2/3	3/4	1/2
24	3.0	4-1/3	2-1/3	1-1/3	2/3

* CONCRETE SHALL BE 3000 P.S.I. W/C.

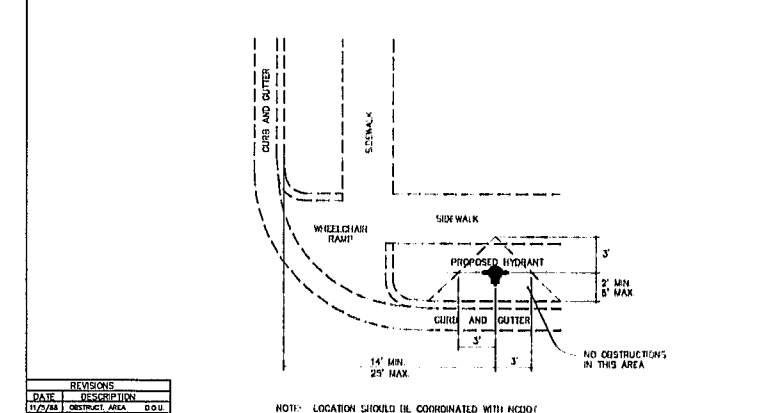
STANDARD REACTION BLOCKING



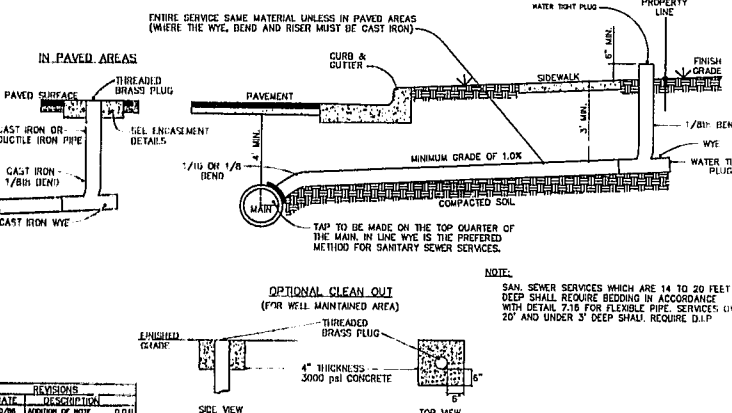
STANDARD MANHOLE RING AND COVER



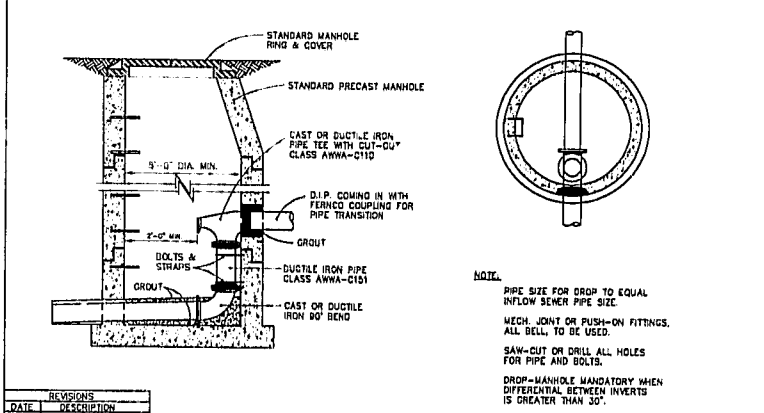
STANDARD 3/4" AND 1" METER BOX INSTALLATION



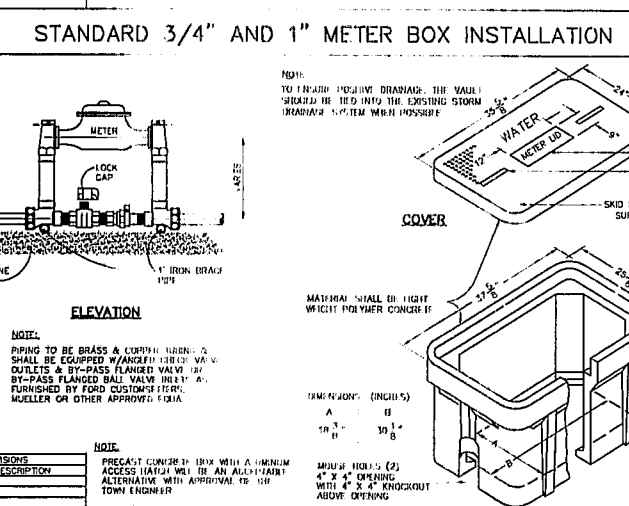
STANDARD HYDRANT LOCATION



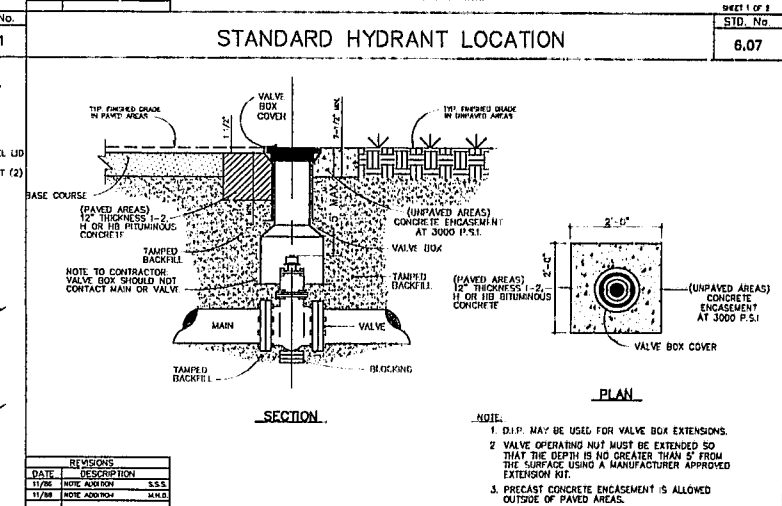
STANDARD SANITARY SEWER TAP AND SERVICE



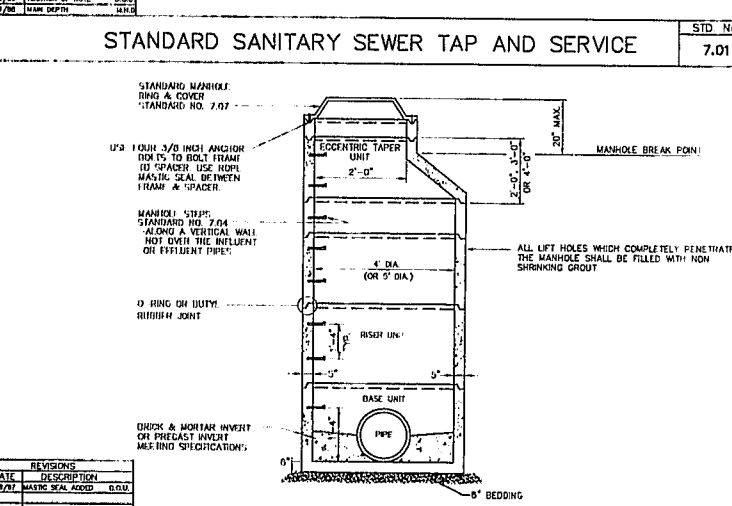
STANDARD INSIDE DROP MANHOLE



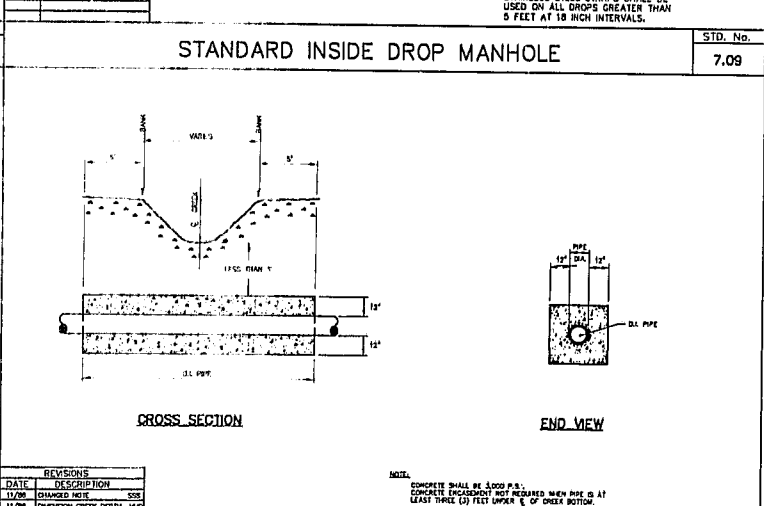
STANDARD 1-1/2" & 2" METER INSTALLATION AND VAULT



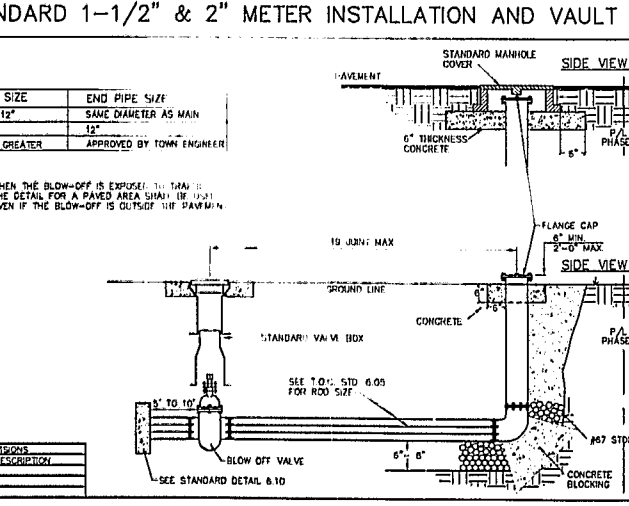
STANDARD VALVE BOX INSTALLATION



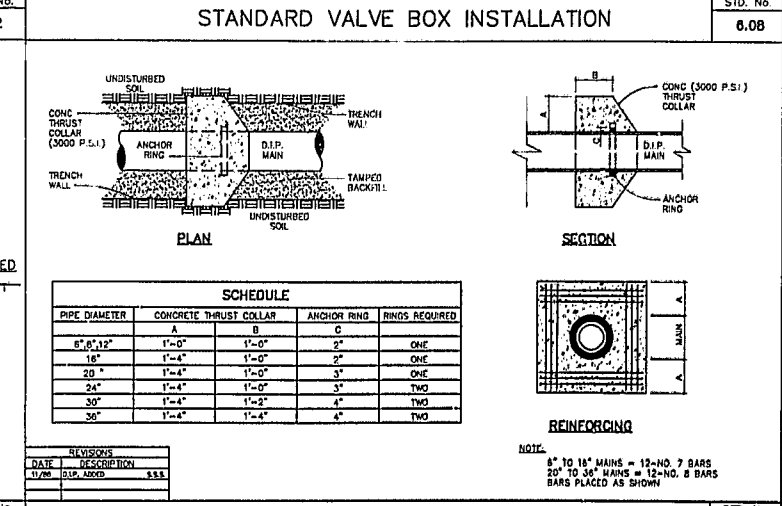
STANDARD PRECAST CONCRETE MANHOLE



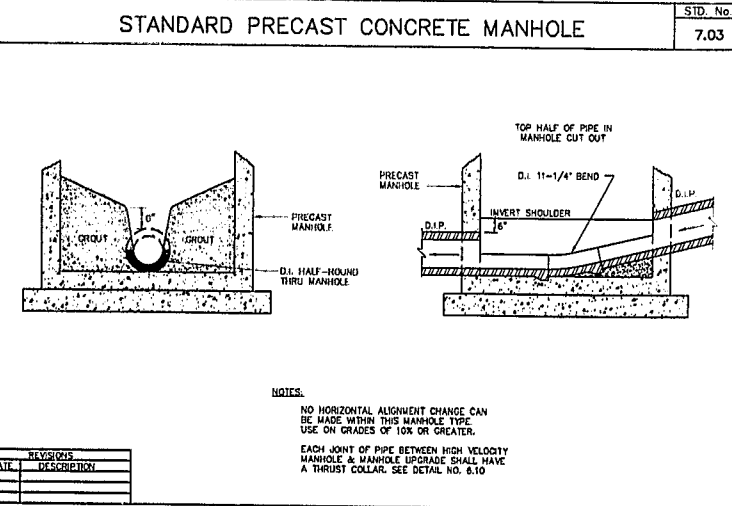
STANDARD CONCRETE ENCASUREMENT FOR STREAM CROSSING



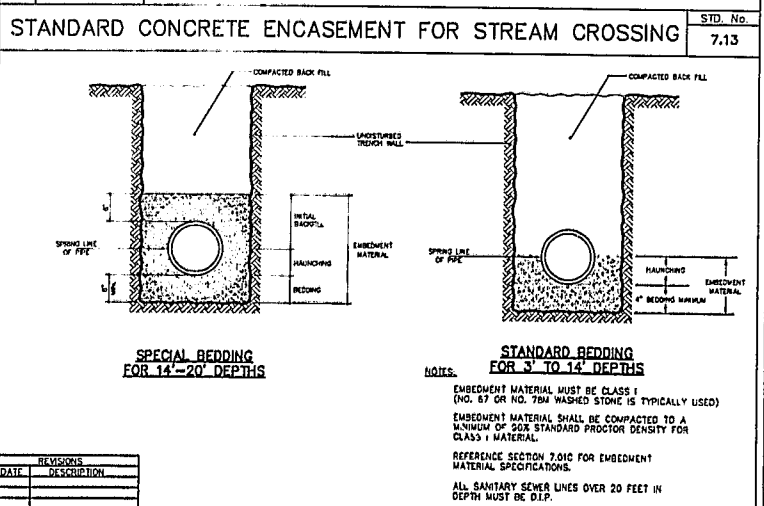
STANDARD BLOW-OFF ASSEMBLY



STANDARD THRUST COLLAR INSTALLATION



STANDARD HIGH VELOCITY MANHOLE INVERT



BEDDING FOR FLEXIBLE & SEMI-RIGID SANITARY SEWER PIPE

No.	Description	Date	By

Designer	Scale	CAD File
W&R	NTS	SHT5.DWG
Drawn By	Date	Sheet No.
JRJ	6/14/02	6
Checked By	Job No.	of
JEC	201135	