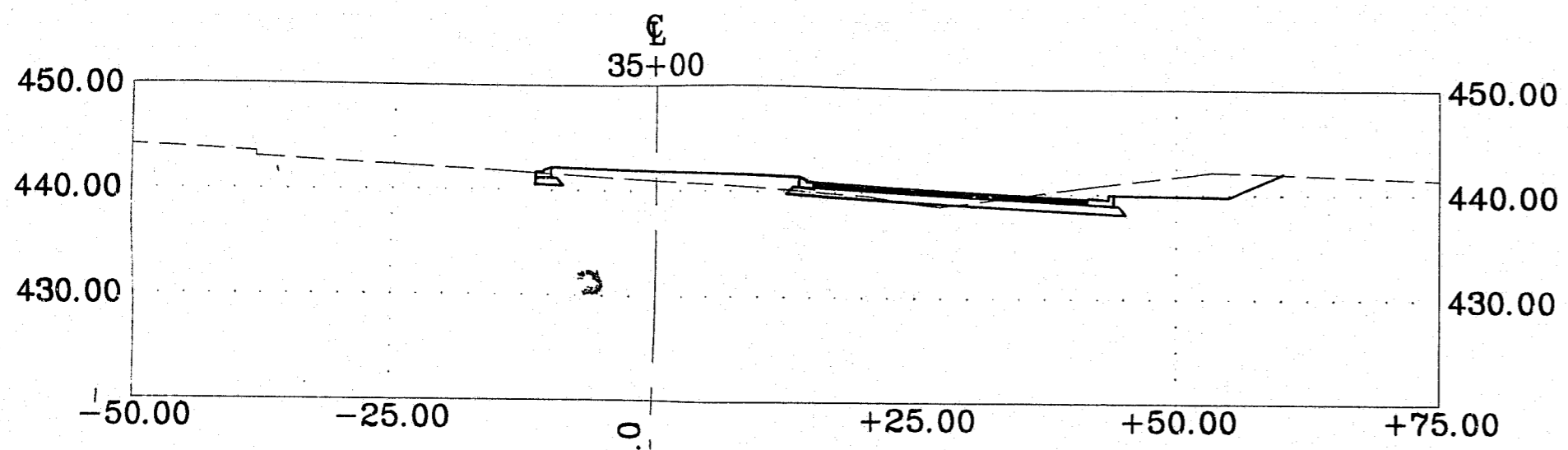


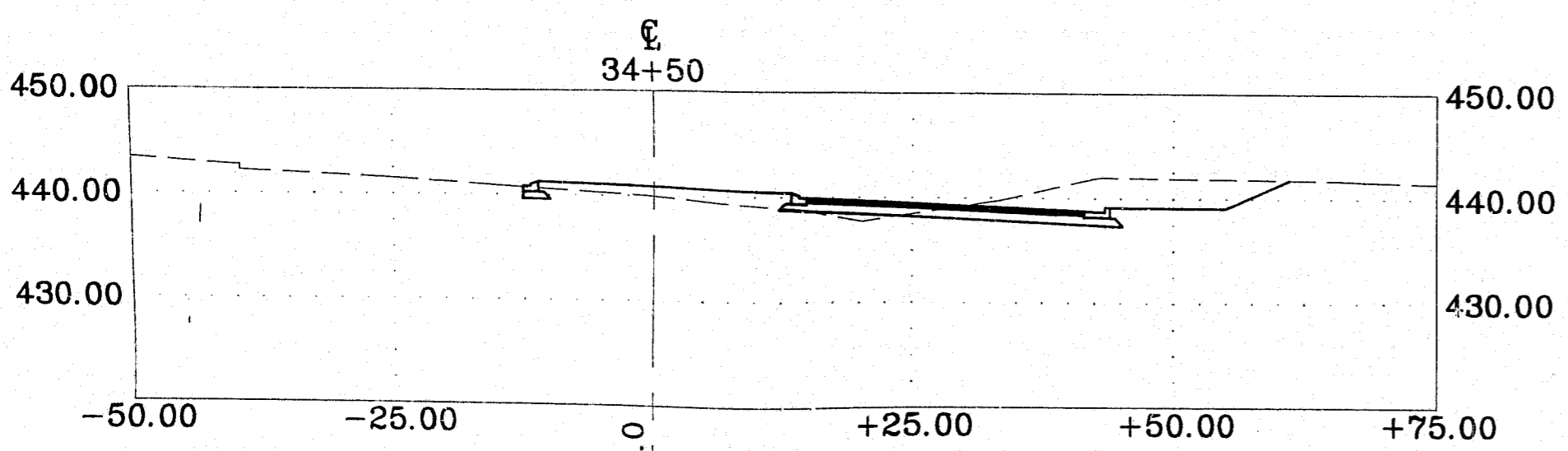
35+50

442.0



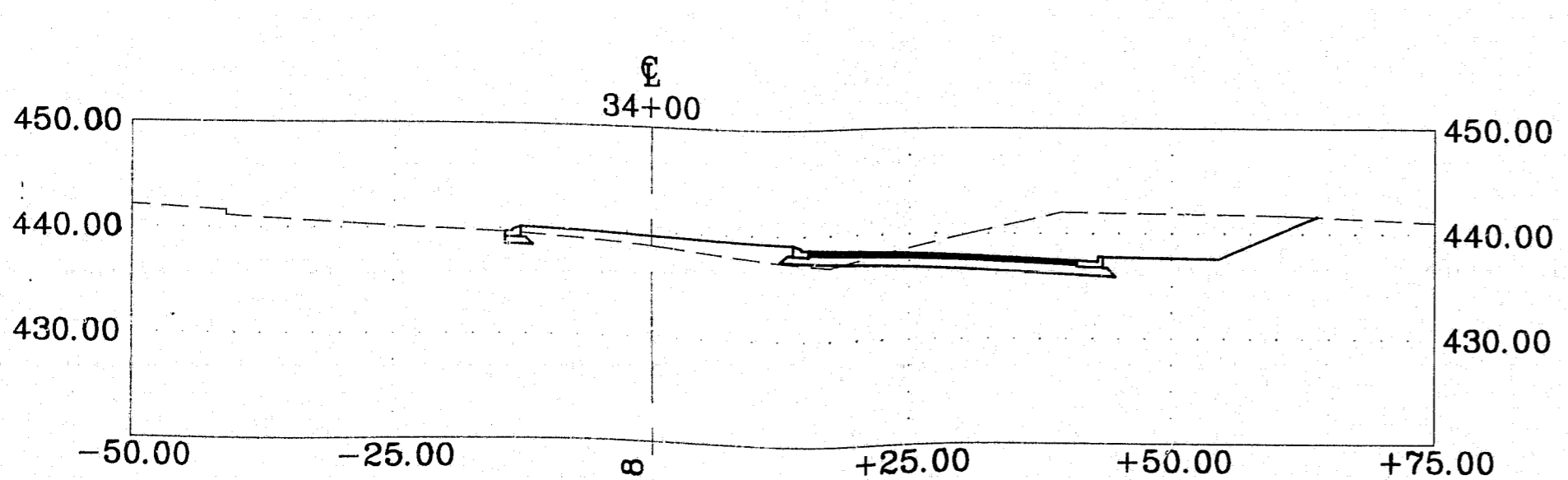
35+00

441.0



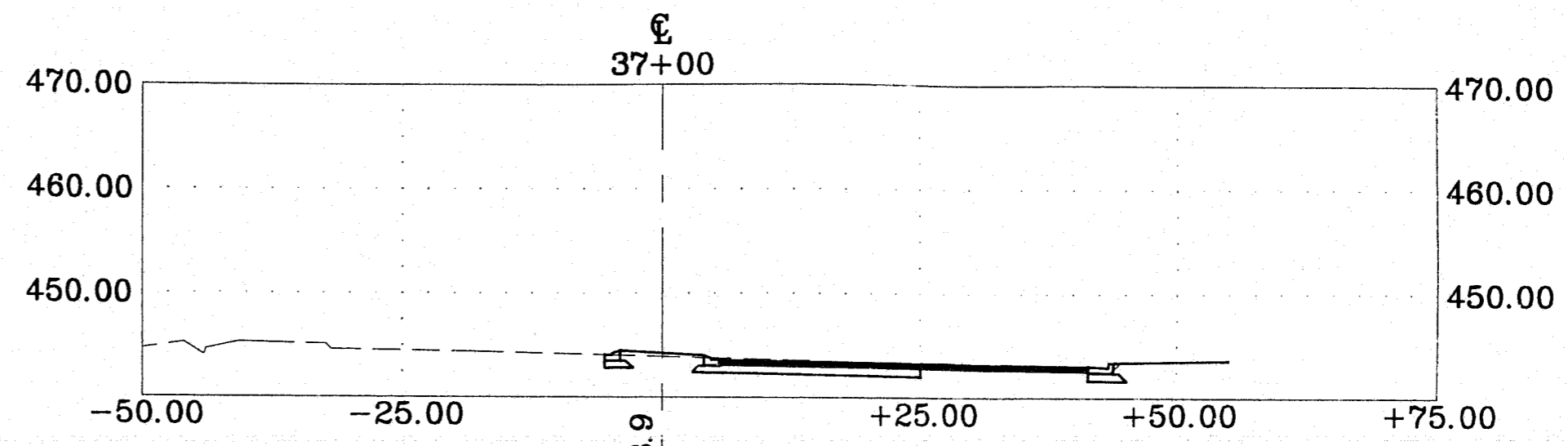
34+50

440.0



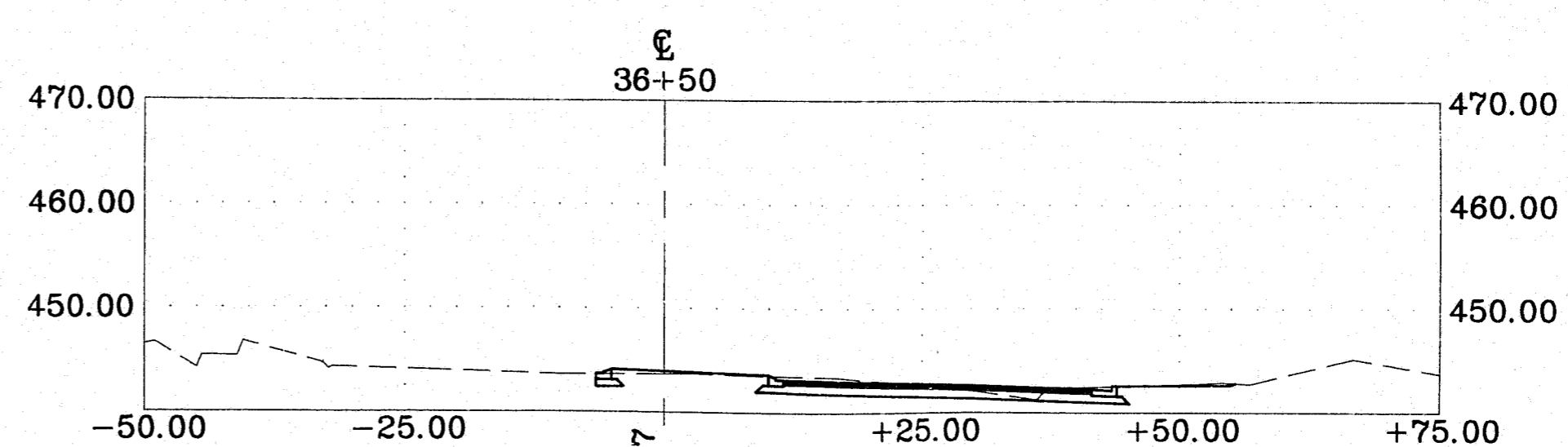
34+00

438.8



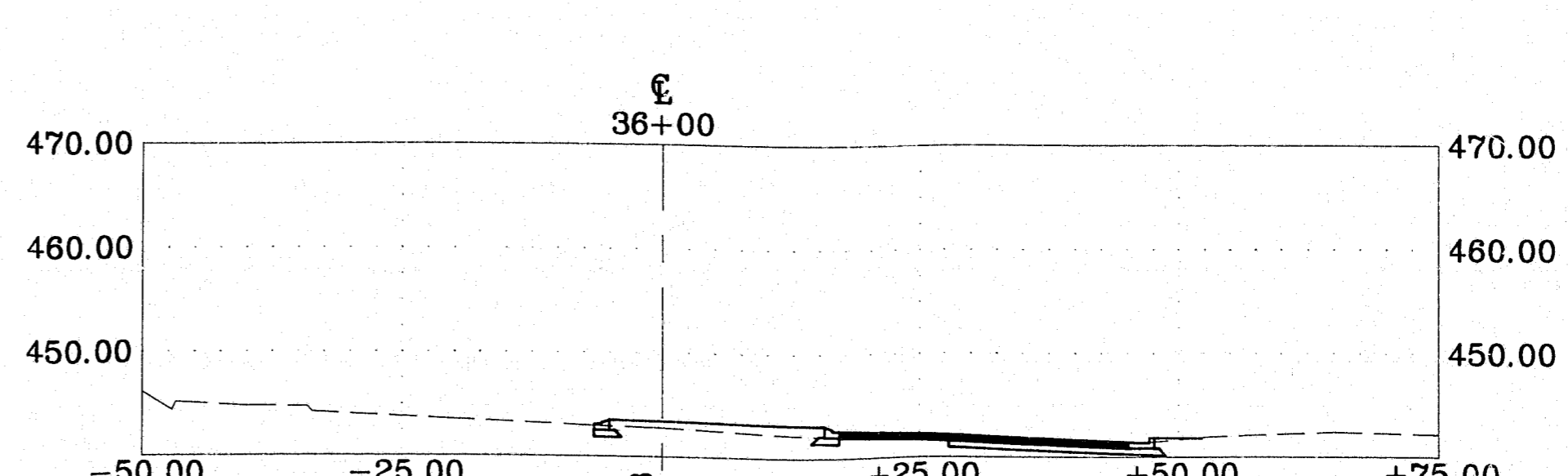
37+00

443.9



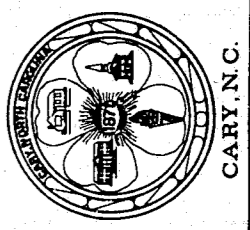
36+50

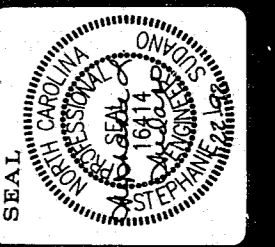
443.7



36+00

442.8

DEPARTMENT  
  
 ENGINEERING  
 CARY, N.C.



PROJECT # 91-009  
 CARY PARKWAY LANE ADDITIONS  
 FROM  
 TRYON ROAD TO U.S. 1 & 64  
 CROSS SECTIONS

DATE  
JULY, 1991

SCALE  
1" = 10' VERT.  
1" = 10' HORIZ.

SHEET 12  
OF 26

DRAWN BY  
G.V.P.

REVISIONS


PRELIMINARY  
 NOT FOR CONSTRUCTION  
 TOWN OF CARY  
 ENGINEERING DEPARTMENT