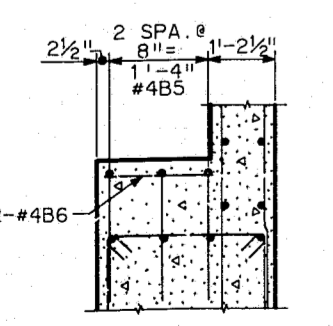
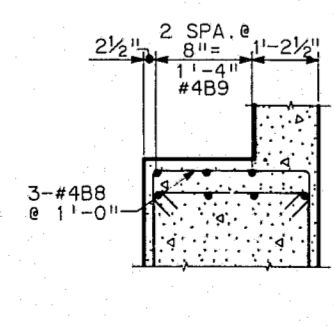


ELEVATION

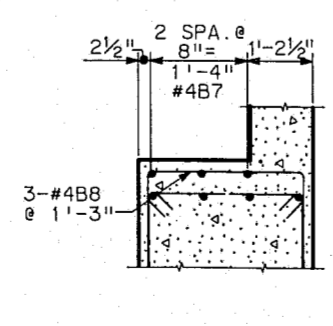
ELEVATION



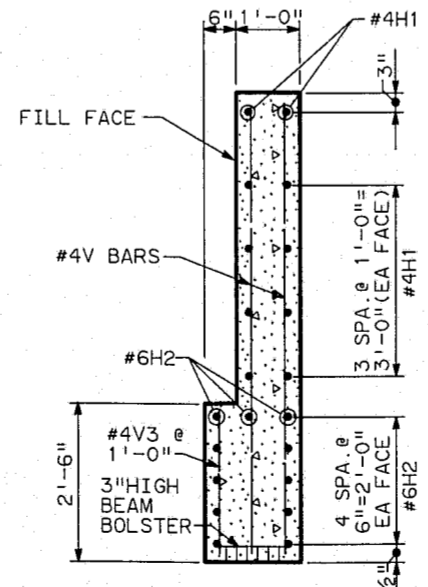
SECTION A-A



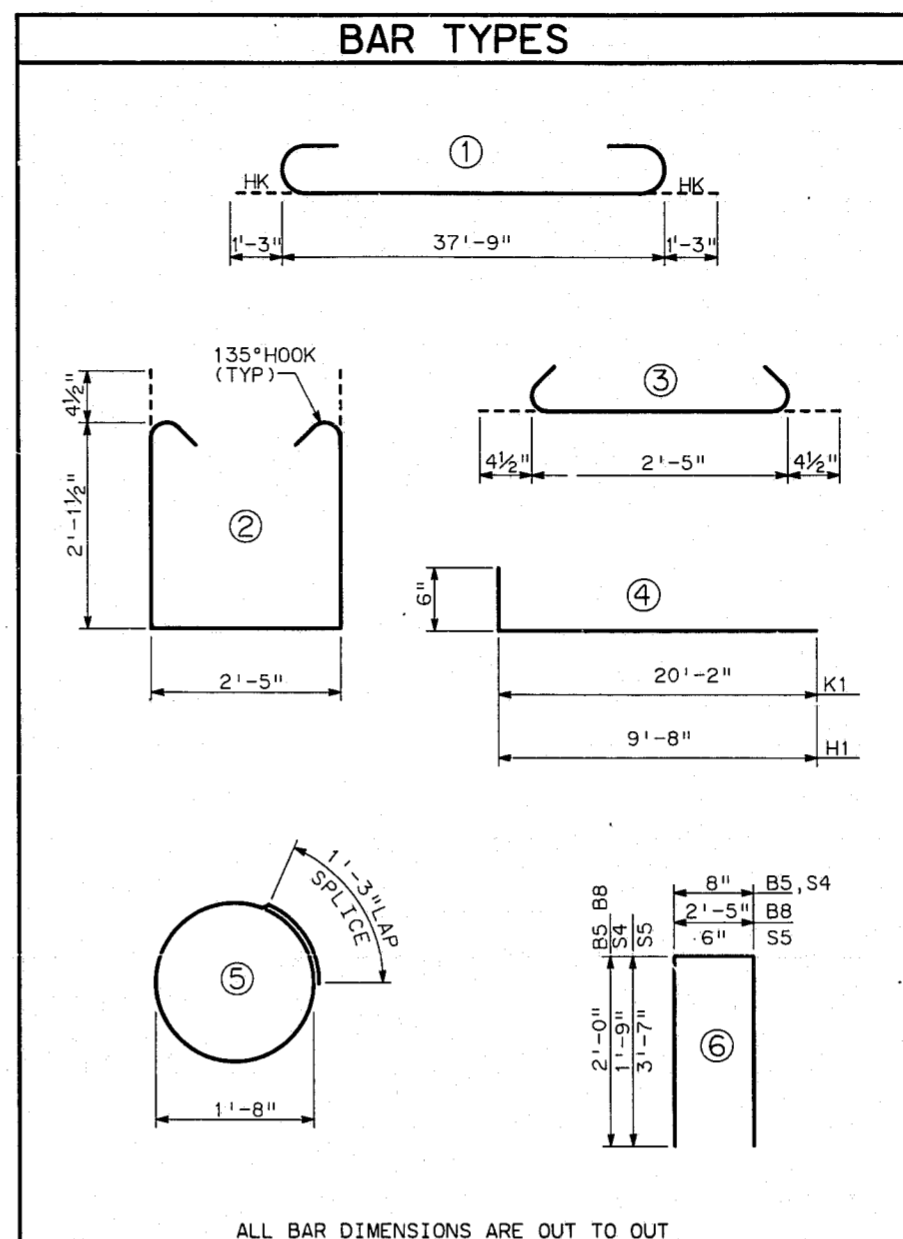
SECTION B-B



SECTION C-C

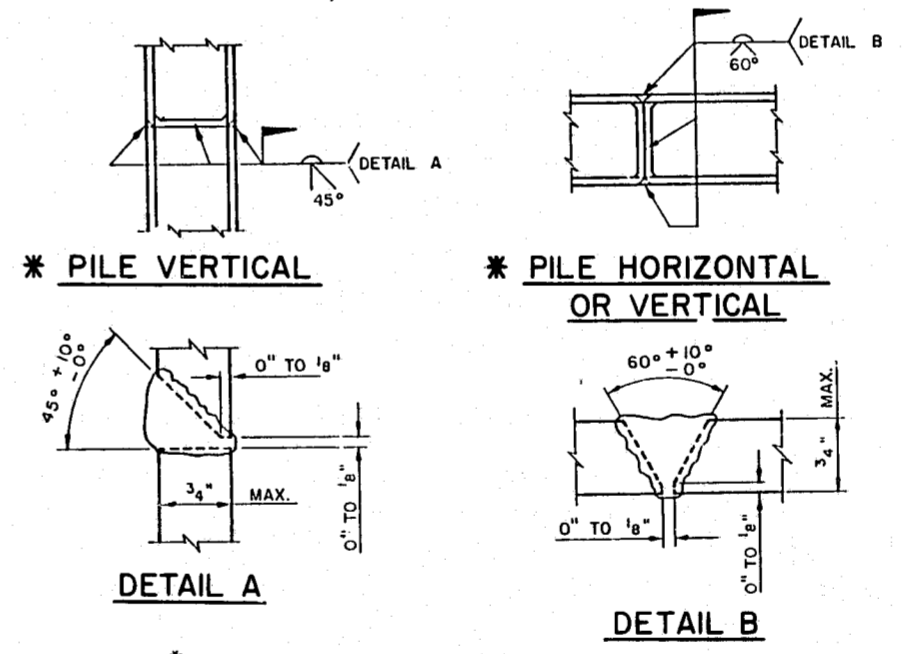


SECTION D-D

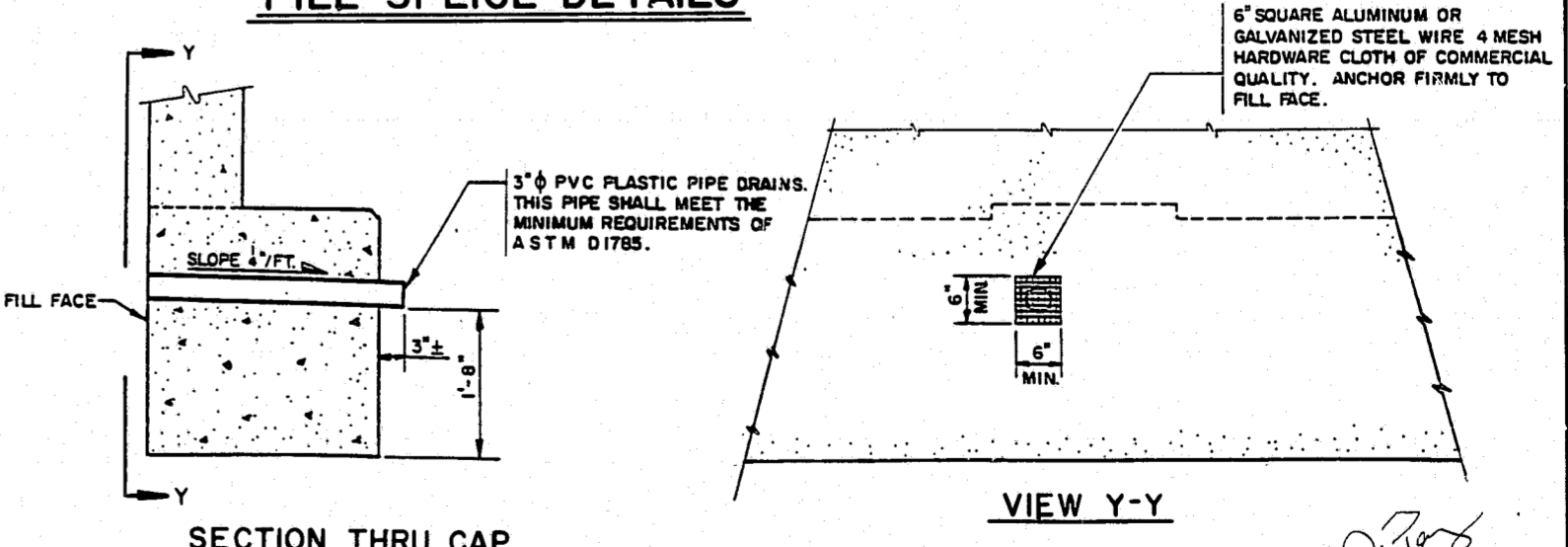


BAR TYPES

ALL BAR DIMENSIONS ARE OUT TO OUT



PILE SPLICE DETAILS



SECTION THRU CAP

VIEW Y-Y

NOTE: NO SEPARATE PAYMENT WILL BE MADE FOR FURNISHING AND INSTALLING THE PVC PLASTIC PIPE DRAINS, HARDWARE CLOTH AND FASTENERS. THE ENTIRE COST OF THIS WORK SHALL BE INCLUDED IN THE UNIT CONTRACT PRICE BID FOR THE SEVERAL PAY ITEMS.

PIPE DRAIN DETAILS

END BENT 2					
BAR NO.	SIZE	TYPE	LENGTH	WEIGHT	
B1	8	9	1	40'-3"	1095
B2	2	5	STR	37'-9"	79
B3	8	4	STR	20'-1"	107
B4	10	4	STR	2'-3"	15
B5	12	4	6	4'-8"	37
B6	8	4	STR	1'-5"	8
B7	6	4	STR	2'-8"	11
B8	12	4	6	6'-5"	51
B9	6	4	STR	2'-2"	9
S1	46	4	3	3'-2"	97
S2	52	4	2	7'-5"	258
S3	12	4	5	6'-6"	52
S4	30	4	6	4'-2"	84
S5	3	4	6	7'-8"	15
S6	8	6	STR	4'-0"	48
H1	22	4	4	10'-2"	149
H2	22	6	STR	11'-5"	377
K1	16	4	4	20'-8"	221
V1	30	5	STR	5'-3"	164
V2	22	4	STR	7'-0"	103
V3	18	4	STR	2'-2"	26
V4	6	5	STR	7'-0"	44
V5	22	4	STR	7'-5"	109
V6	6	5	STR	7'-5"	46
REINFORCING STEEL					LBS. 13205
CLASS A CONCRETE					CY 21.3
HP 12 x 53 STEEL PILES					
No. 6					LN. FT. 201.0

DEPARTMENT  
ENGINEERING  
CARY, N.C.

PROJECT  
CARY PARKWAY  
OVER BLACK CREEK  
SUBSTRUCTURE  
END BENT 2 DETAILS

DATE 07/05/88  
SCALE  
SHEET S23  
OF 26  
DRAWN BY LSJ

REVISIONS  
REVISOR  
DATE  
DESCRIPTION

