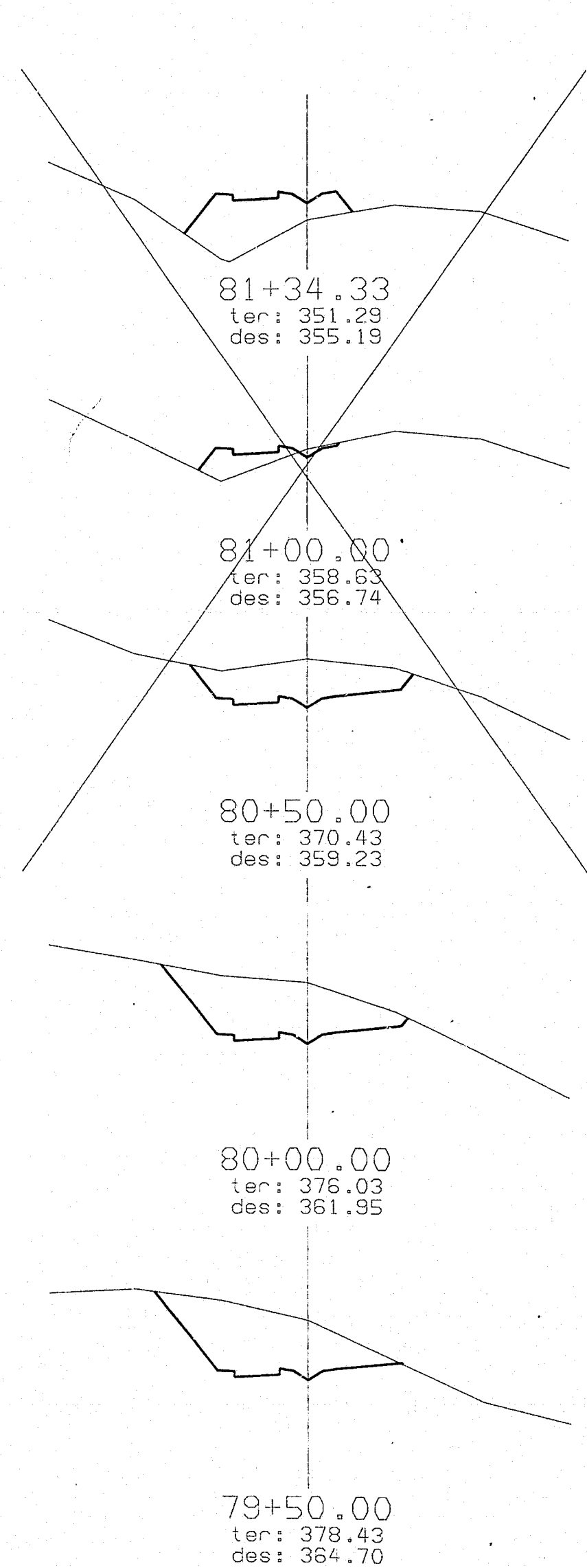
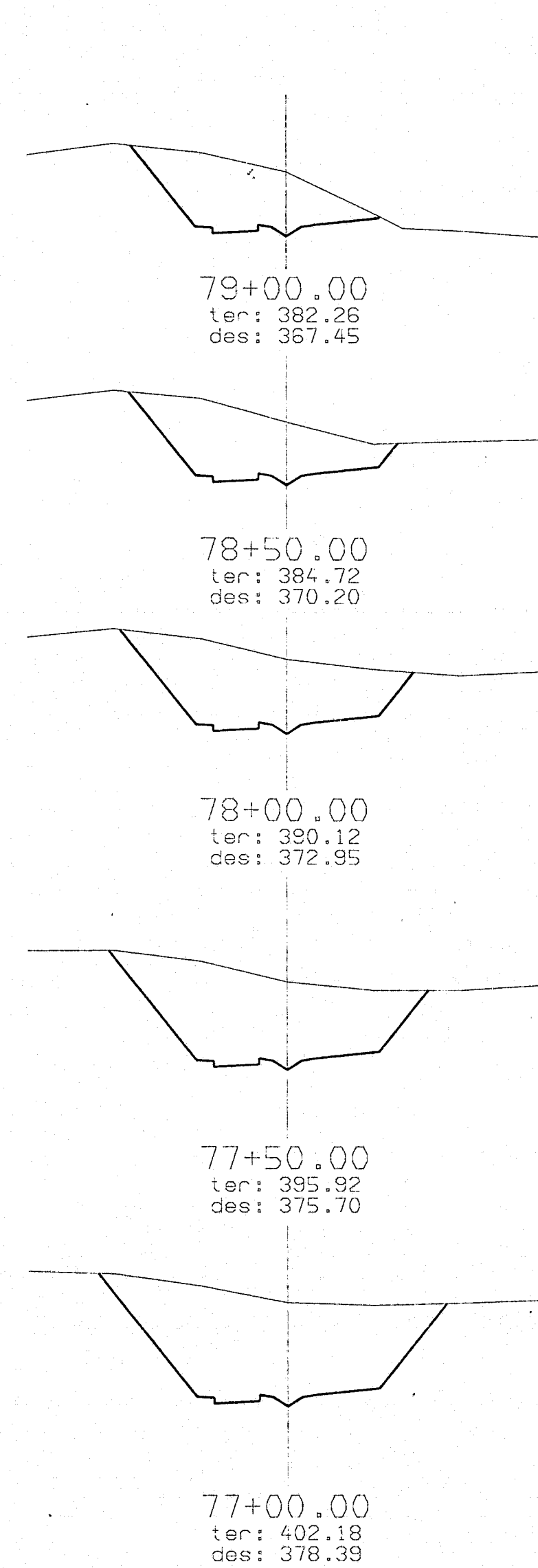
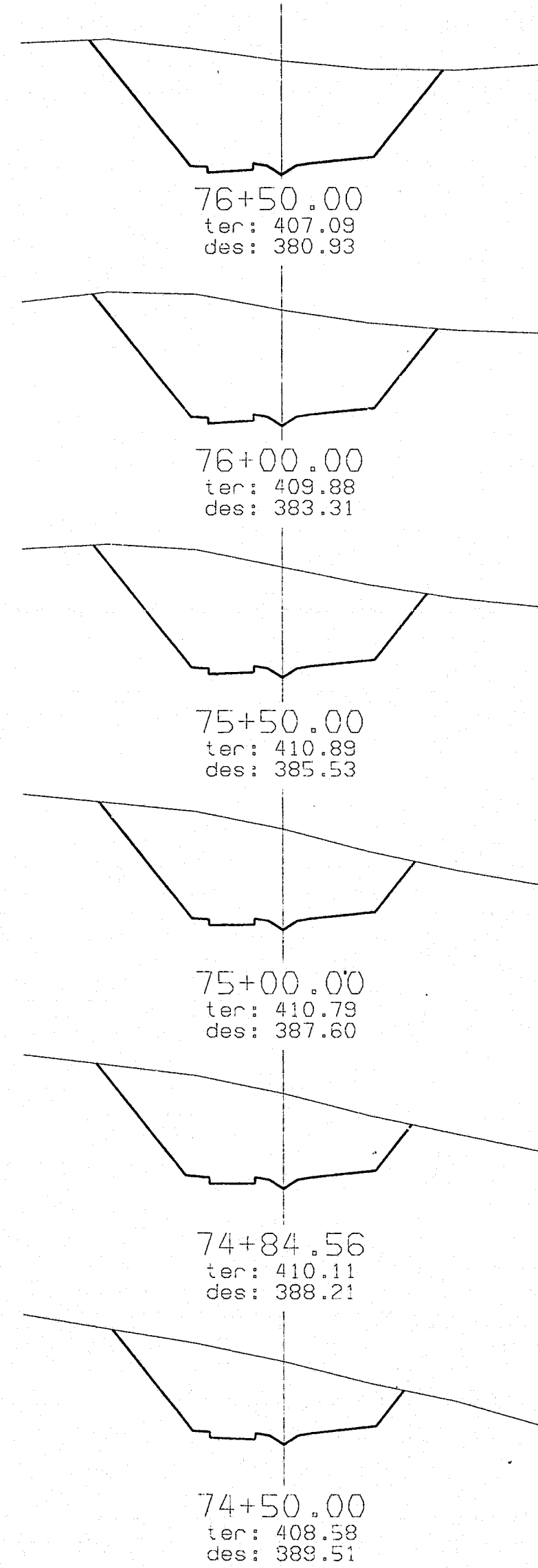
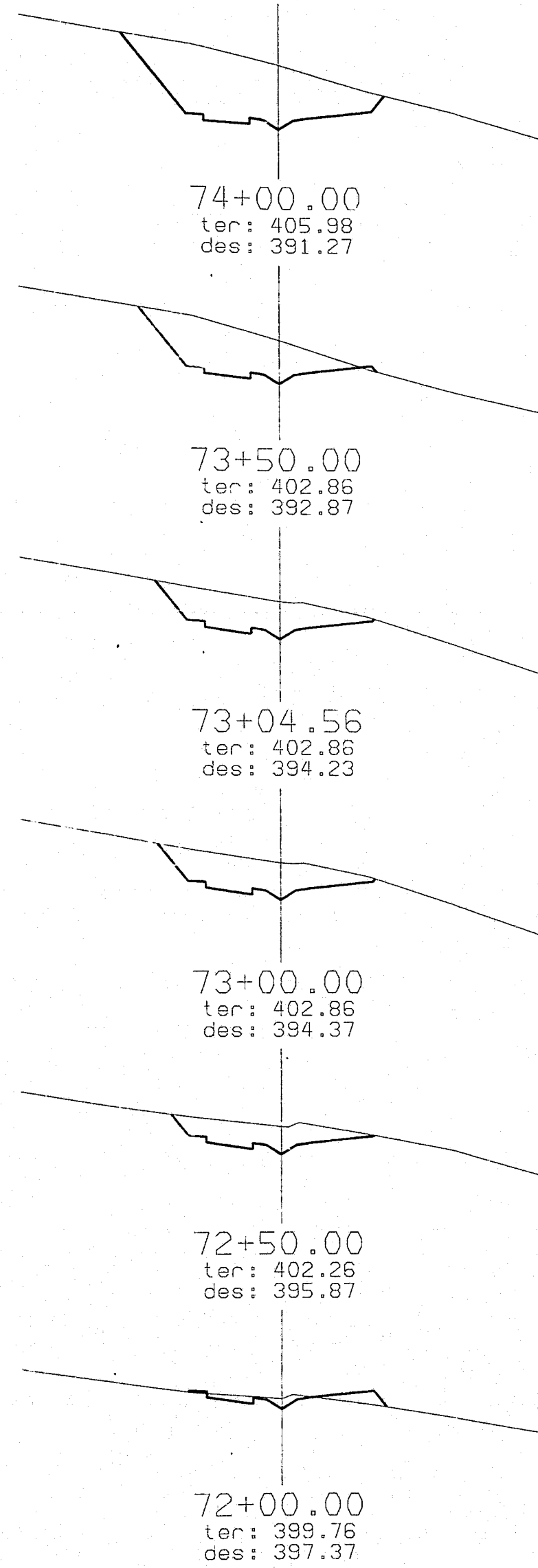


A
B
C
D
E
F



HORIZONTAL SCALE : 1"=50'
VERTICAL SCALE : 1"=20'

NOTE : C/L DESIGN ELEVATION IS THE C/L OF MEDIAN.
CROSS SECTIONS REPRESENT PAVEMENT DESIGN OF :
2" 1-2
3" H-BINDER
12" CABC

ZXC80001
DATE

NO.	BY	CHK	APP	REVISIONS AND RECORD OF ISSUE
1	JAD	RPL	RET	1/24/90 REVISED CROSS SECTIONS PER REVISED VERT. DESIGN

DESIGNED RPL
DETAILED RPL
CHECKED RET
APPROVED RET
DATE 9/13/88



PROJECT NO.
16246-200

NORTH HILLS, INC. RALEIGH, N.C.	SILVERTON, INC. CARY, N.C.	
CARY PARKWAY STA. 72+00 TO STA. 81+34.33		