

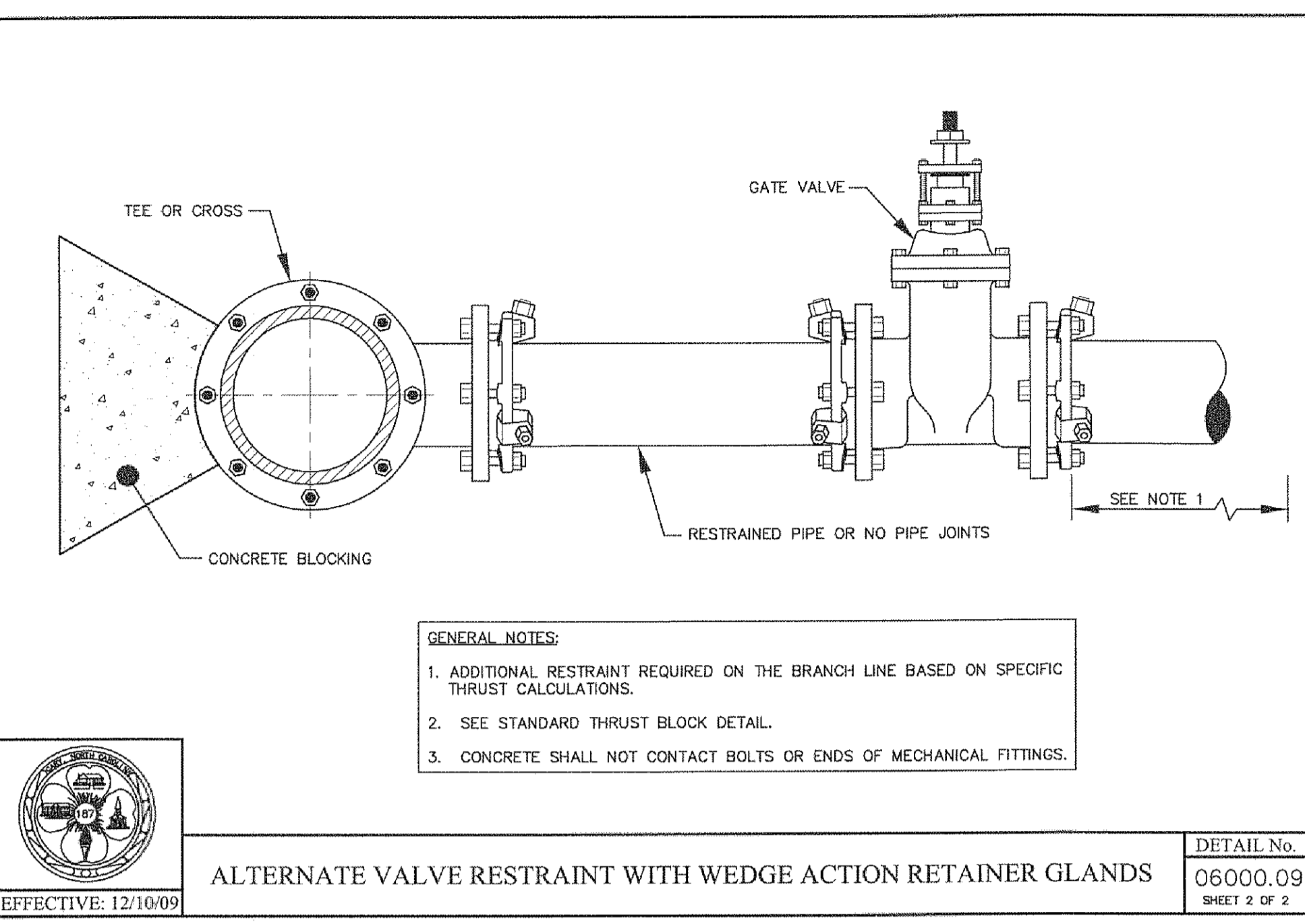
STAINLESS STEEL ROD REQUIREMENTS

BRANCH SIZE	NO. OF RODS
4"	2
6"	2
8"	4
12"	6
16"	8
24"	10

- GENERAL NOTES:**
- SEE STANDARD THRUST BLOCK DETAIL.
 - CONCRETE SHALL NOT CONTACT BOLTS OR ENDS OF MECHANICAL FITTINGS.
 - RODS SHALL NOT BE COUPLED.

STANDARD VALVE RESTRAINT

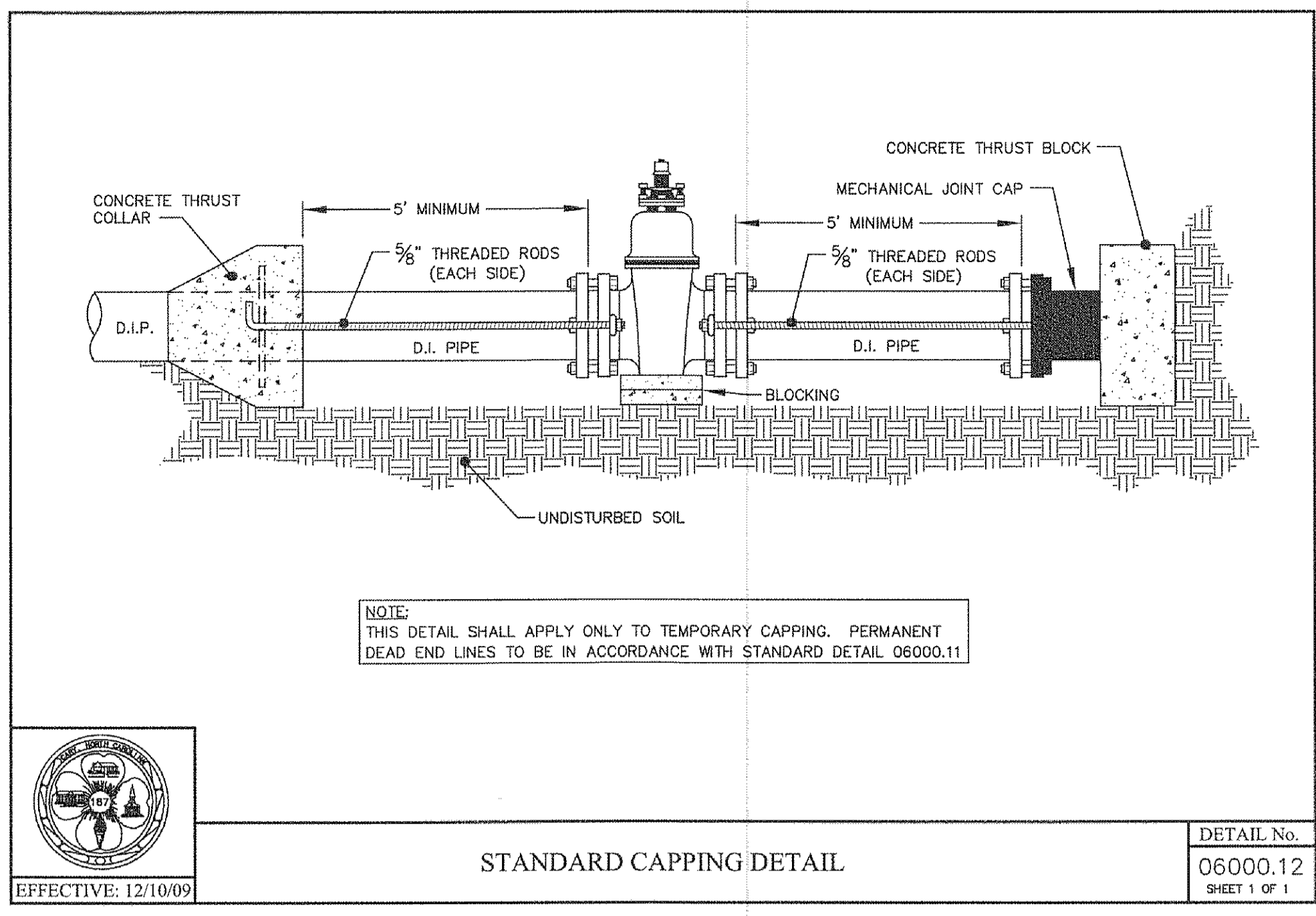
DETAIL No. 06000.09
SHEET 1 OF 2



- GENERAL NOTES:**
- ADDITIONAL RESTRAINT REQUIRED ON THE BRANCH LINE BASED ON SPECIFIC THRUST CALCULATIONS.
 - SEE STANDARD THRUST BLOCK DETAIL.
 - CONCRETE SHALL NOT CONTACT BOLTS OR ENDS OF MECHANICAL FITTINGS.

ALTERNATE VALVE RESTRAINT WITH WEDGE ACTION RETAINER GLANDS

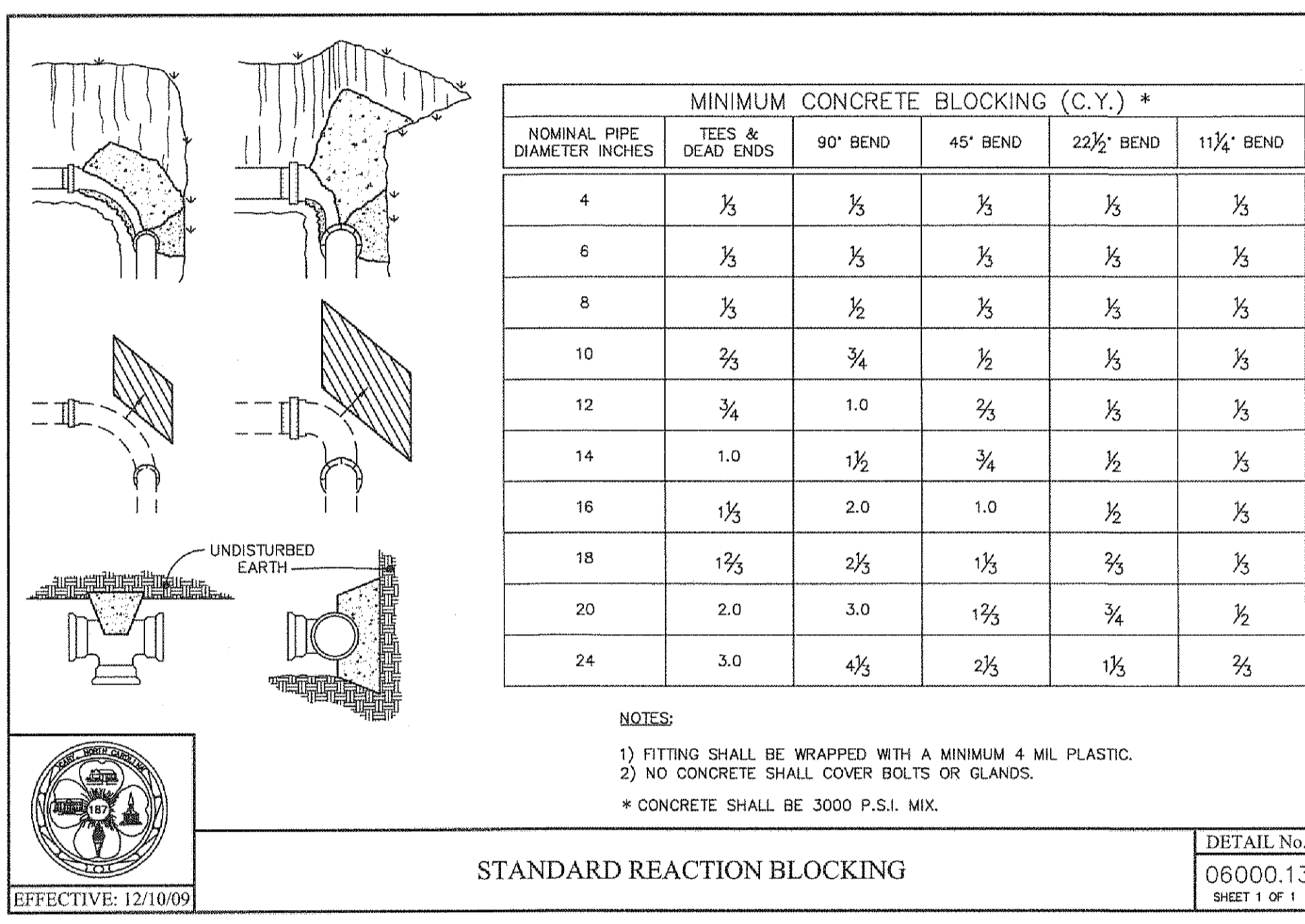
DETAIL No. 06000.09
SHEET 2 OF 2



NOTE:
THIS DETAIL SHALL APPLY ONLY TO TEMPORARY CAPPING. PERMANENT DEAD END LINES TO BE IN ACCORDANCE WITH STANDARD DETAIL 06000.11

STANDARD CAPPING DETAIL

DETAIL No. 06000.12
SHEET 1 OF 1



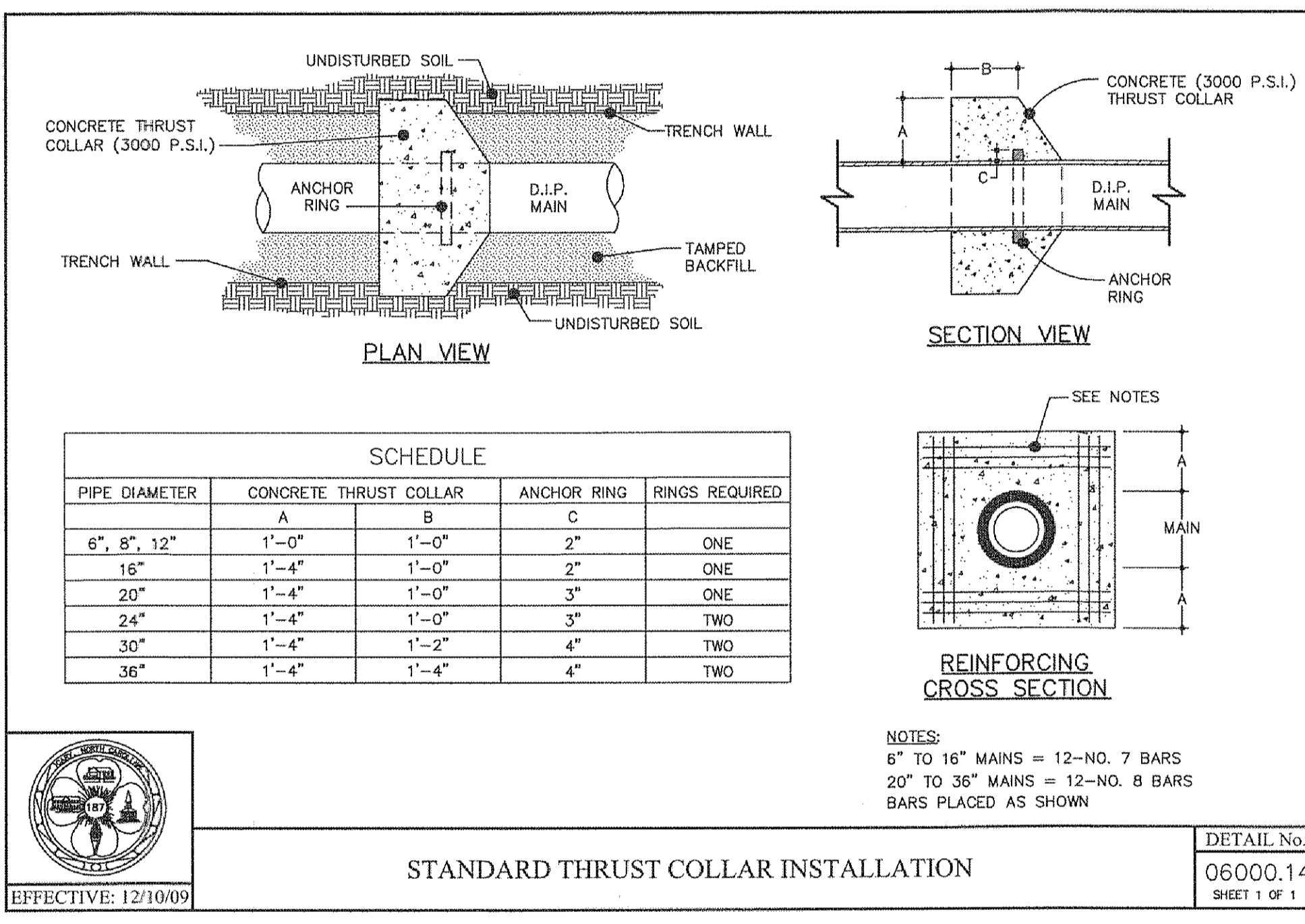
MINIMUM CONCRETE BLOCKING (C.Y.) *

NOMINAL PIPE DIAMETER INCHES	TEES & DEAD ENDS	90° BEND	45° BEND	22½° BEND	11¼° BEND
4	1/3	1/3	1/3	1/3	1/3
6	1/3	1/3	1/3	1/3	1/3
8	1/3	1/2	1/3	1/3	1/3
10	2/3	3/4	1/2	1/3	1/3
12	3/4	1.0	2/3	1/3	1/3
14	1.0	1½	3/4	1/2	1/3
16	1½	2.0	1.0	1/2	1/3
18	1¾	2½	1½	2/3	1/3
20	2.0	3.0	1¾	3/4	1/2
24	3.0	4½	2½	1½	2/3

- NOTES:**
- FITTING SHALL BE WRAPPED WITH A MINIMUM 4 MIL PLASTIC.
 - NO CONCRETE SHALL COVER BOLTS OR GLANDS.
- * CONCRETE SHALL BE 3000 P.S.I. MIX.

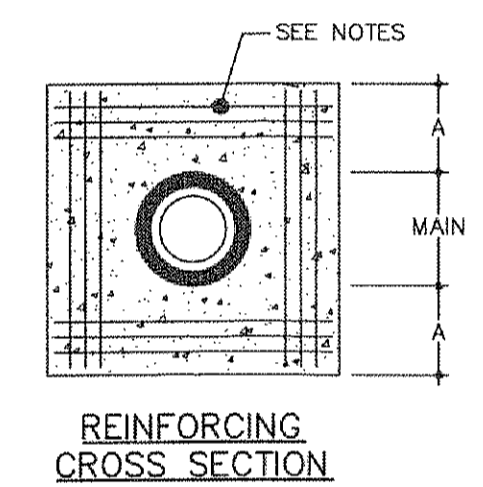
STANDARD REACTION BLOCKING

DETAIL No. 06000.13
SHEET 1 OF 1



SCHEDULE

PIPE DIAMETER	CONCRETE THRUST COLLAR			RINGS REQUIRED
	A	B	C	
6", 8", 12"	1'-0"	1'-0"	2"	ONE
16"	1'-4"	1'-0"	2"	ONE
20"	1'-4"	1'-0"	3"	ONE
24"	1'-4"	1'-0"	3"	TWO
30"	1'-4"	1'-2"	4"	TWO
36"	1'-4"	1'-4"	4"	TWO



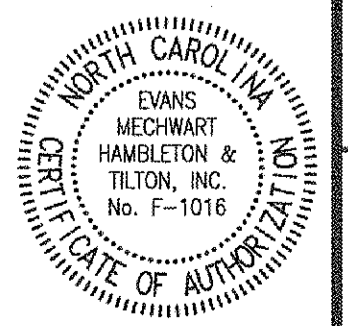
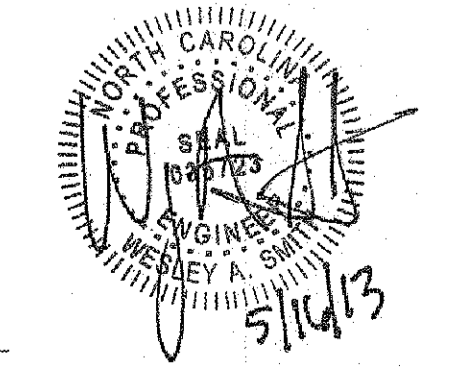
- NOTES:**
- 8" TO 16" MAINS = 12-NO. 7 BARS
 - 20" TO 36" MAINS = 12-NO. 8 BARS
 - BARS PLACED AS SHOWN

STANDARD THRUST COLLAR INSTALLATION

DETAIL No. 06000.14
SHEET 1 OF 1

ALL CONSTRUCTION SHALL CONFORM TO TOWN OF CARY AND NCDOT STANDARD AND SPECIFICATIONS

Cary Project #: 12-SP-047
HTE #: 13-0672
Approved by The Town of Cary
Development Review Committee
Planner *[Signature]* : Date 5/16/2013



REVISIONS

MARK	DATE	DESCRIPTION
1	10/13	Revised per Town of Cary Comments
2	10/13	

HA WORTHORN RETIREMENT GROUP
1880 215-1550 Fax 9862-2515
6715 NE 63rd Vancouver, WA 98661

Daniel Roach architect
471 High Street SE, Suite 10, Salem, Oregon 97301
P 503 399 1090 F 503 399 0565 wianitygroup.com

EMHT
Evans, McWhorter, Hambleton & Tilton, Inc.
301 MacCulloch Dr., Ste. 109, Charlotte, NC 28202
Phone: 704-546-0333 Fax: 704-546-0333 emht.com

DATE: May 16, 2013
SCALE: NTS
JOB NO.: 2012-0577
SHEET: 23A/41

4/20/2013 10:00 AM (S:\Projects\12-SP-047\Drawings\12-SP-047-01.dwg) Plot Date: 5/16/2013 11:12 AM Last Printed By: Bowman, Asha, 10/10/2012 8:44 AM