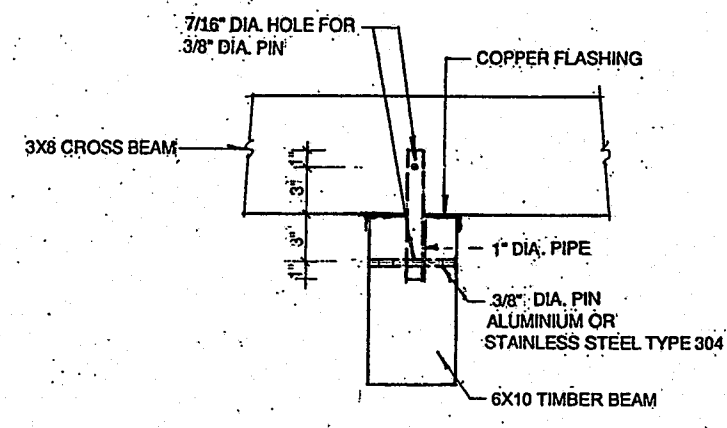
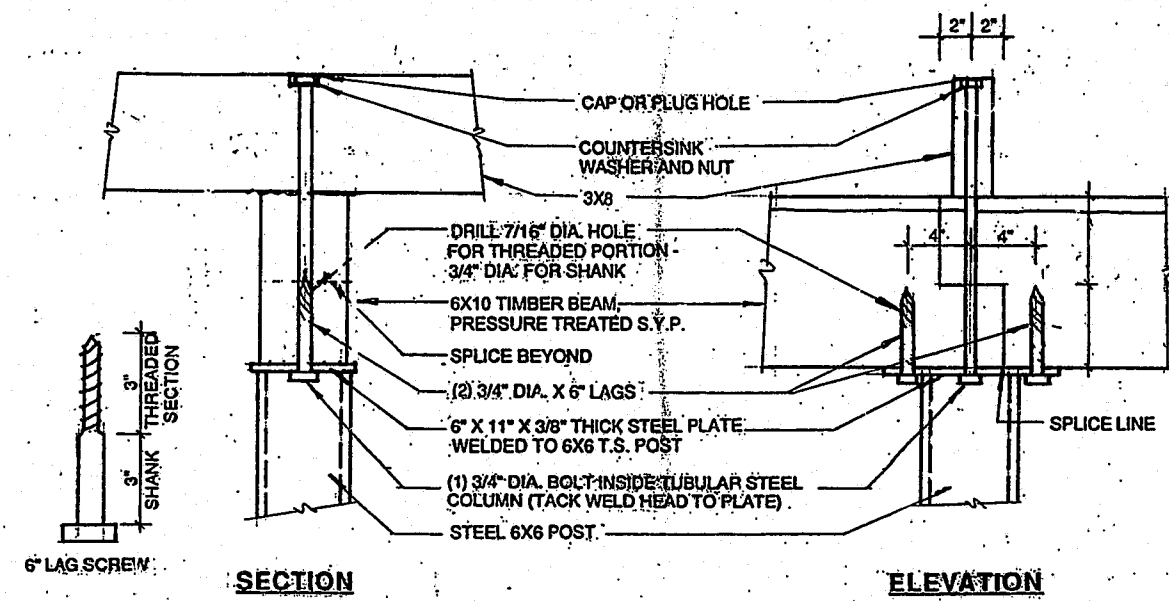


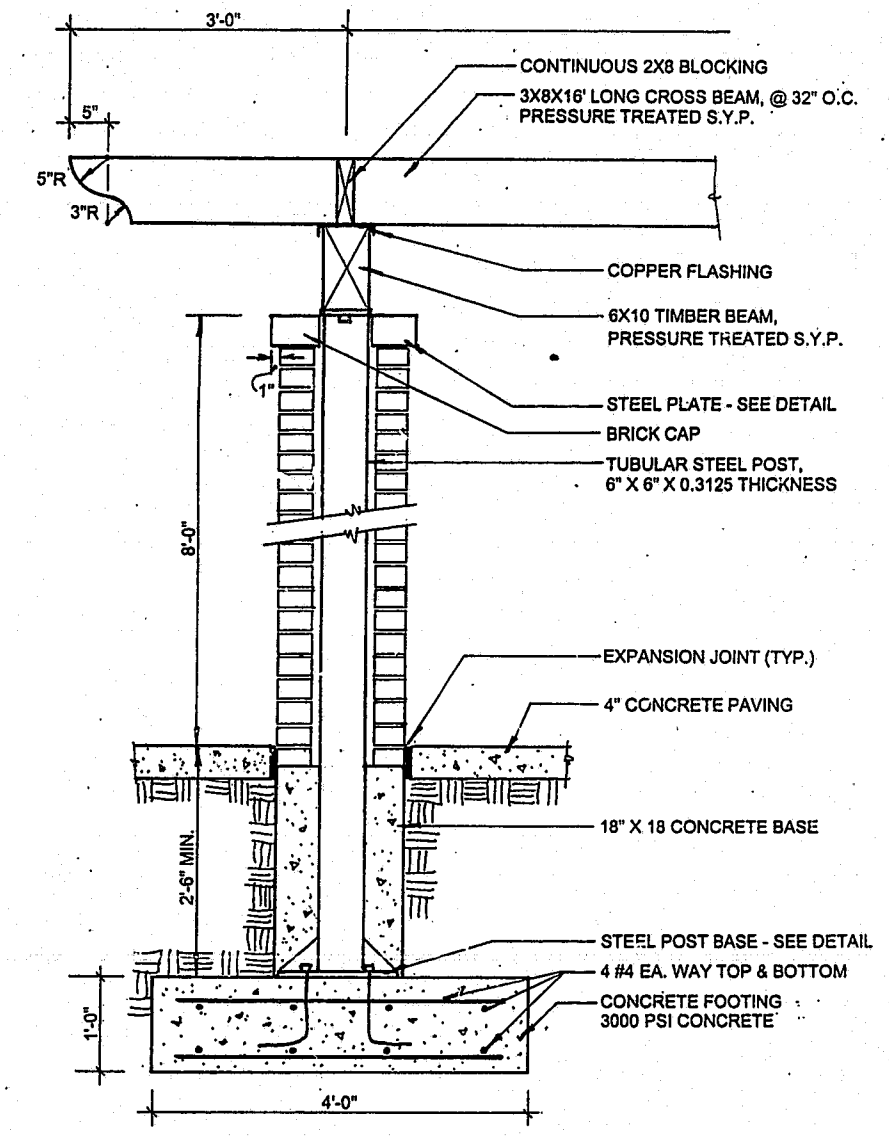
REVISIONS:



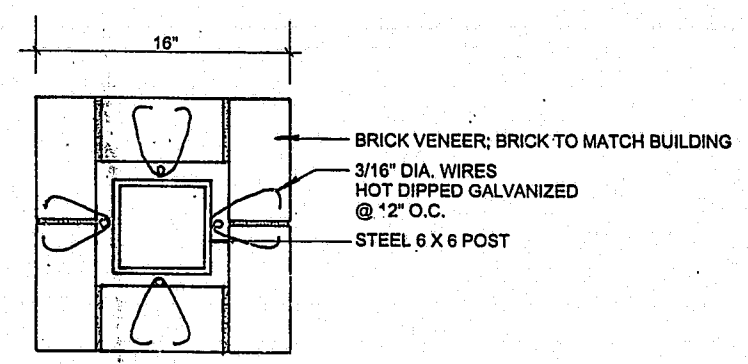
TIMBER/CROSS BEAM CONNECTION
SCALE: 1-1/2" = 1'-0"



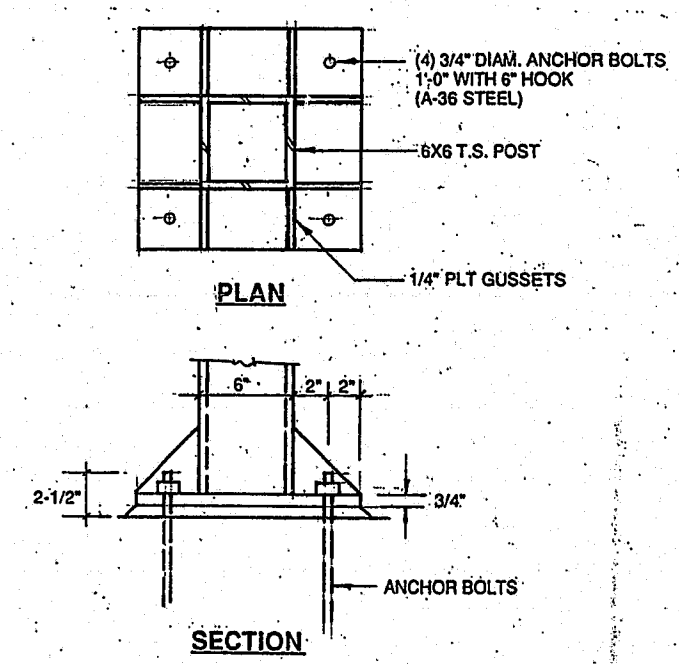
STEEL POST/TIMBER BEAM CONNECTION
SCALE: 1-1/2" = 1'-0"



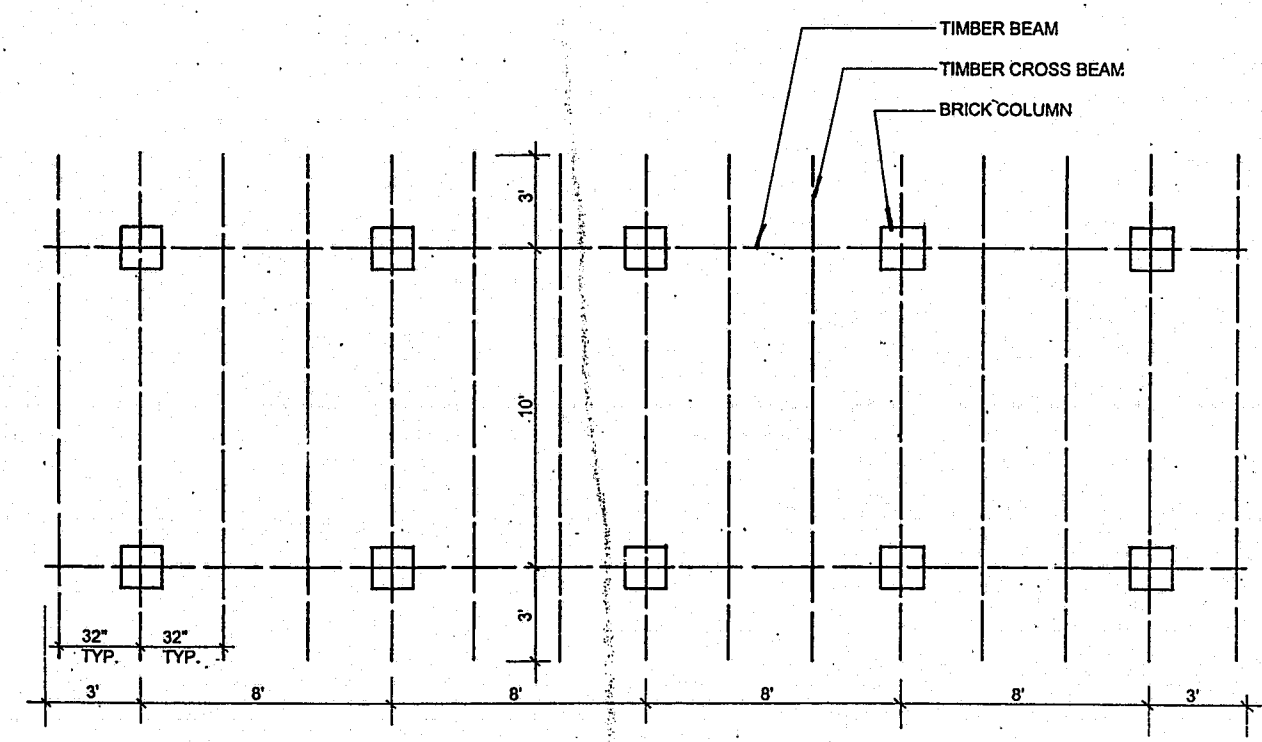
TRELLIS SECTION
SCALE: 3/4" = 1'-0"



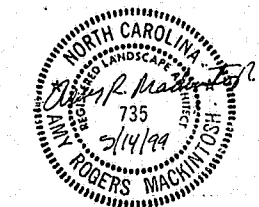
COLUMN CROSS SECTION
SCALE: 1-1/2" = 1'-0"



POST BASE DETAIL
SCALE: 1-1/2" = 1'-0"



TRELLIS PLAN
SCALE: 1/4" = 1'-0"



APPROVED
7/2/99 10-8-99
JFP 10/1/99