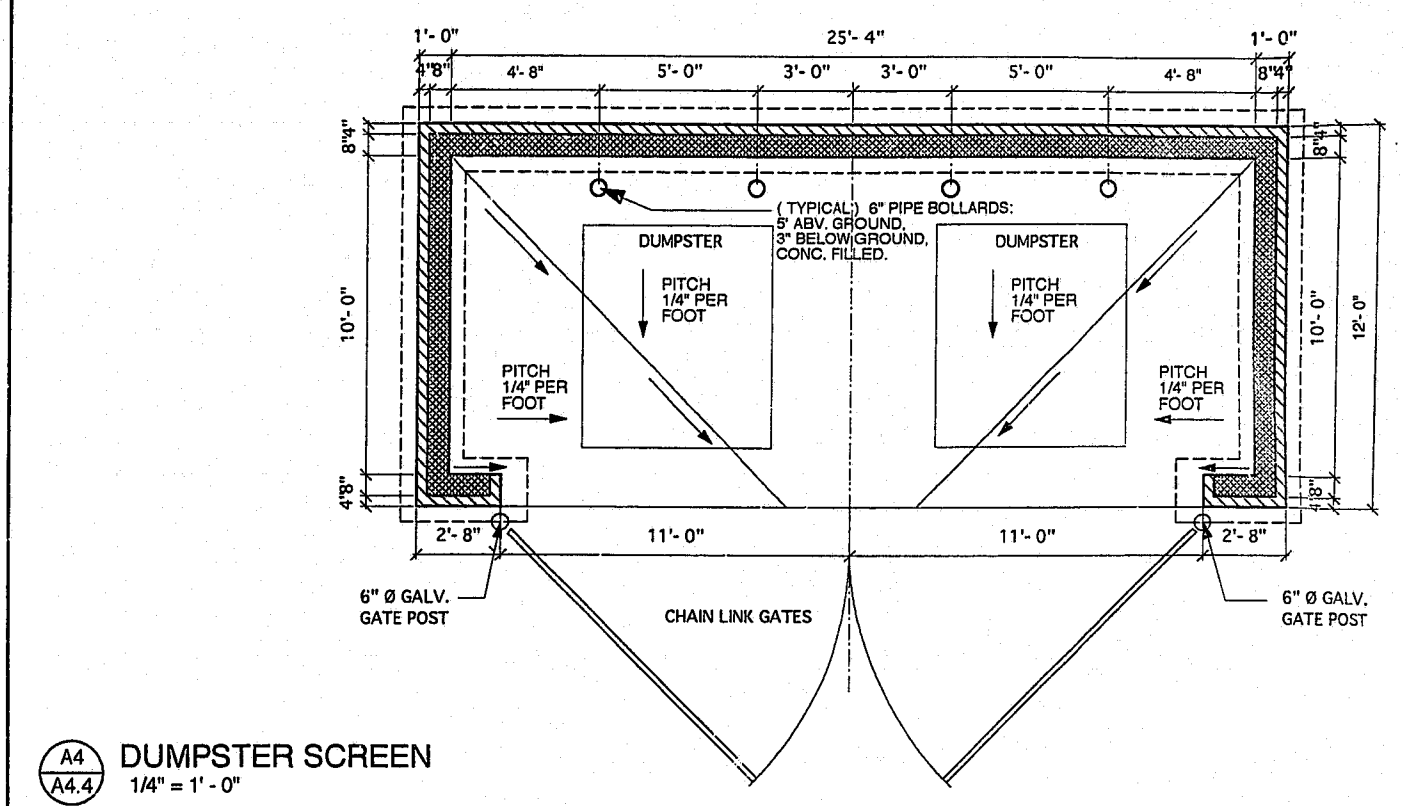


C1 MULTIPURPOSE WING FLOOR LEVEL COLUMN DETAILS  
3/4" = 1'-0"

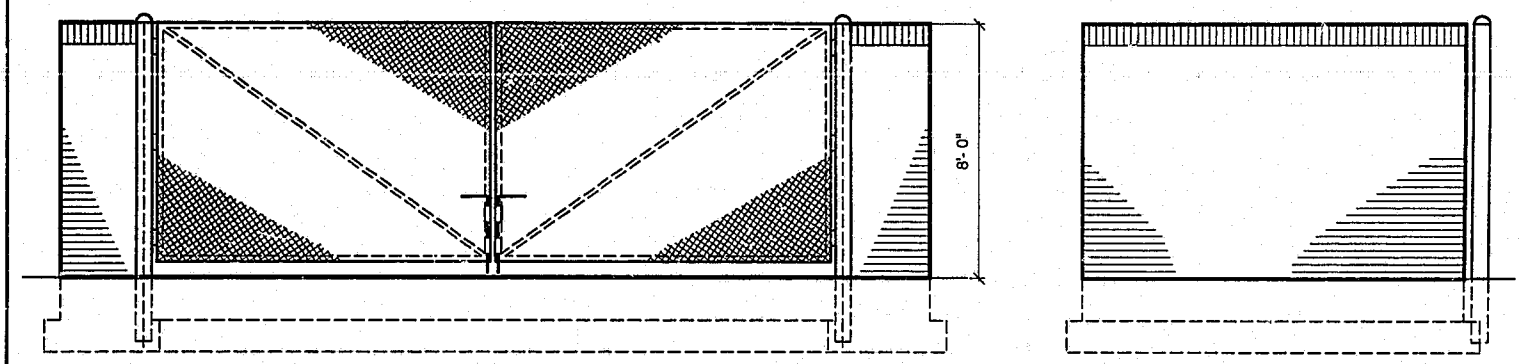
D1 NOT USED  
A4.4 NTS

D2 NOT USED  
A4.4 NTS

D3 NOT USED  
A4.4 NTS

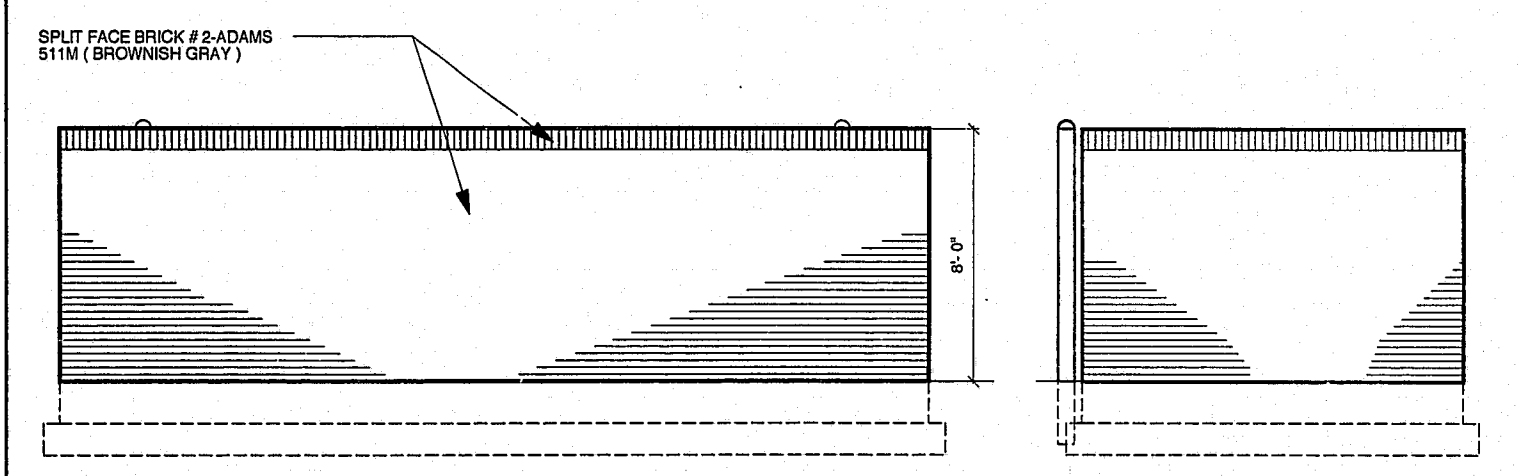


A4 DUMPSTER SCREEN  
A4.4 1/4" = 1'-0"



FRONT ELEVATION

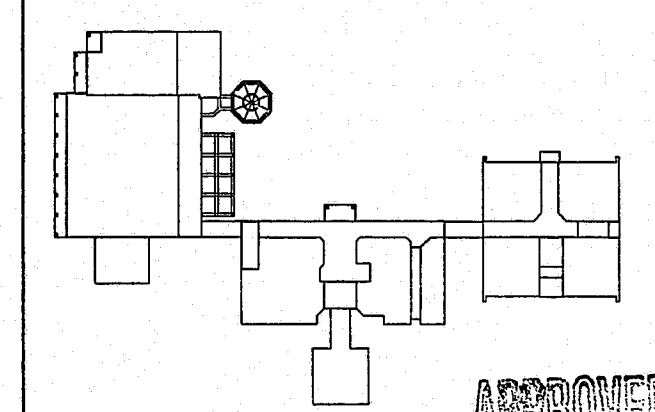
LEFT ELEVATION



BACK ELEVATION

RIGHT ELEVATION

C4 EXTERIOR ELEVATIONS - DUMPSTER SCREEN  
A4.4 1/4" = 1'-0"



PLAN NORTH  
APPROVED  
JER 10-8-99  
JEP 10/1/99  
KEY PLAN



**CARY SENIOR CENTER**  
HIGH HOUSE RD.  
AT  
FRED BOND PARK  
CARY, NC

TOWN OF CARY  
PARKS, RECREATION &  
CULTURAL RESOURCES  
MARY BARRY, DIRECTOR  
P.O. BOX 8005  
CARY, NC 27512-8005  
(919) 469-4066

© Copyright 1999  
Matthew Hale, AIA  
Hale Architecture  
All Rights Reserved

These drawings and copies thereof are instruments of service and as such remain the property of the Architect. They are loaned for one-time use only with respect to this project.  
With the exception of one complete set for each party to the contract, all copies are to be returned or suitably accounted for to the Architect upon completion of the work described herein.  
Distribution to meet regulatory or other official uses in connection with this project is not to be construed as a violation of the Architect's common law copyright or other reserved rights.

FOR CONSTRUCTION  
 NOT FOR CONSTRUCTION

DRAWN BY: JR/LL  
CHECKED BY: MH

ISSUE DATE:  
JUNE 28, 1999

REVISIONS:

SEP 30, 1999

SHEET TITLE:  
**DUMPSTER SCREEN**

SHEET NUMBER:  
**A-4.4**  
of SHEETS