

**PATON / ZUCCHINO & ASSOCIATES, P.A.**  
LANDSCAPE ARCHITECTURE/LAND PLANNING

Suite 101  
1001 Wade Avenue  
Raleigh, N.C. 27605  
Bus. (919) 834-8620  
Fax (919) 828-7068  
www.paton-zucchino.com  
e-mail: pza@paton-zucchino.com

- ◆ ARCHITECT:  
CLINE DAVIS ARCHITECTS  
RALEIGH, NC
- ◆ TENNIS CONSULTANT:  
TRIANGLE TENNIS CONSULTANTS, INC.  
CARY, NC
- ◆ STRUCTURAL ENGINEER:  
DCF ENGINEERING  
CARY, NC
- ◆ CIVIL ENGINEER:  
H.J. GILLECE & ASSOCIATES  
CARY, NC
- ◆ GEOTECHNICAL ENGINEER:  
ECS CONSULTANTS, INC.  
CARY, NC
- ◆ ELECTRICAL ENGINEER:  
TRIANGLE ENGINEERING ASSOCIATES  
RALEIGH, NC
- ◆ OWNER:  
TOWN OF CARY  
CARY, NC

◆ PROJECT:  
CARY TENNIS CENTER

◆ SHEET TITLE:  
MISCELLANEOUS DETAILS

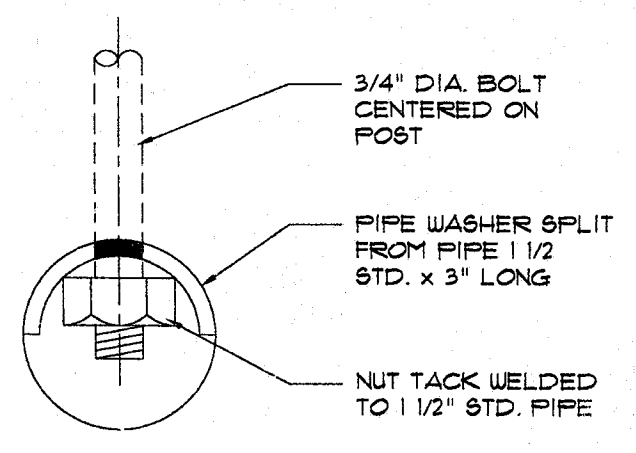
◆ Issue Date:

◆ Revision:

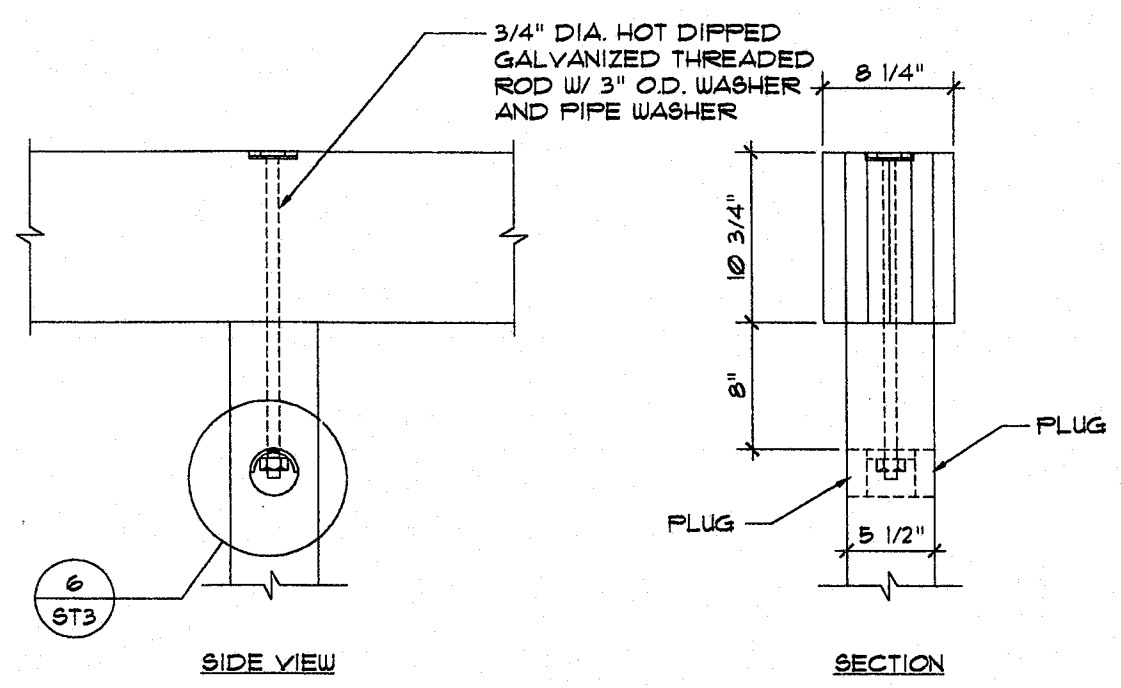
20-SP-D18-A  
**APPROVED**  
DB 2/23/01  
TH 3-2-01  
\* HANDRAIL ELEVATION ONLY - NO STRUCTURAL

◆ Sheet Number:

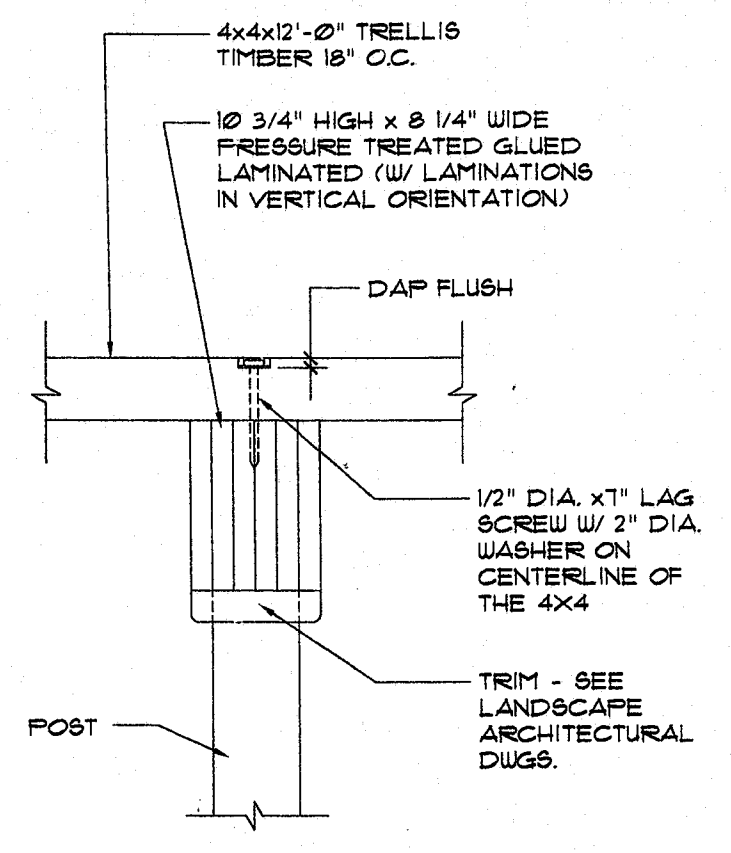
**ST3**



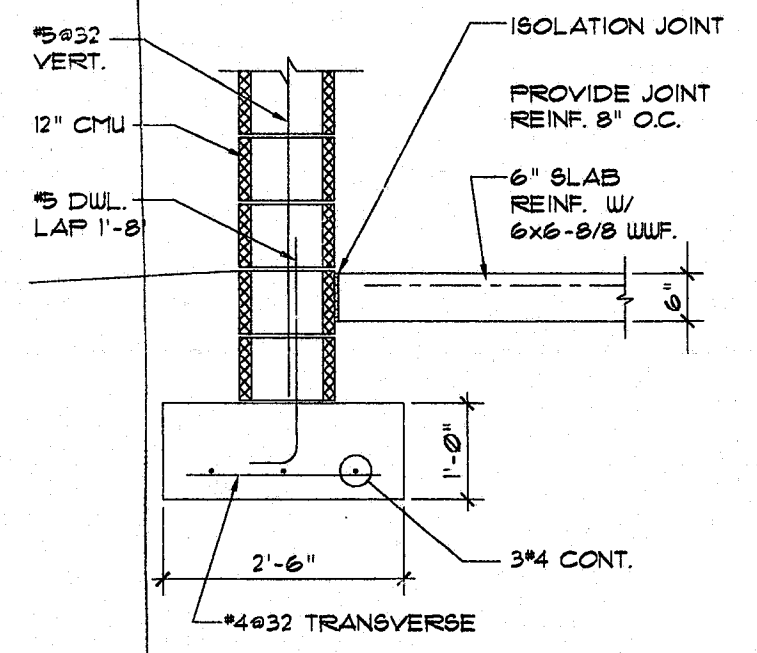
6 DETAIL  
ST3 SCALE 6" = 1'-0"



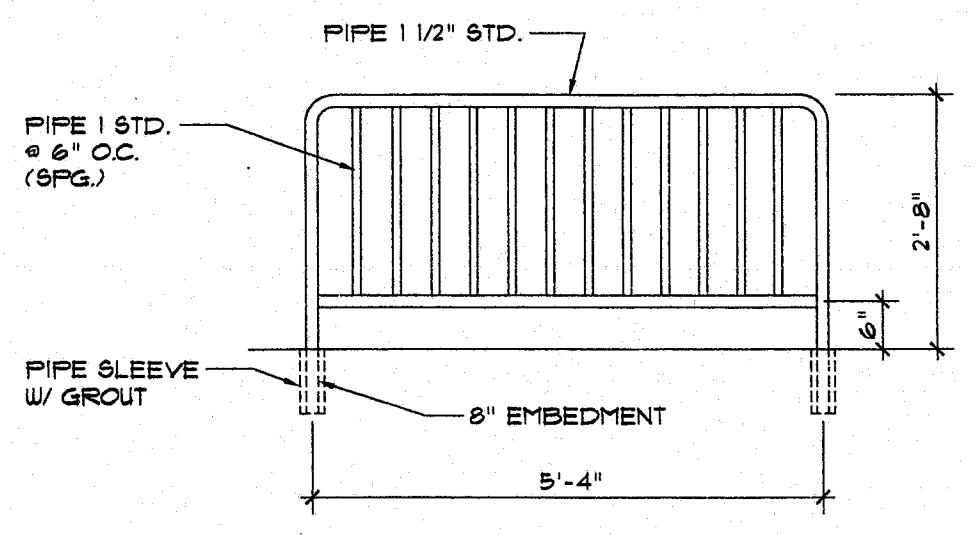
5 TRELLIS CONNECTION  
ST3 SCALE 1 1/2" = 1'-0"



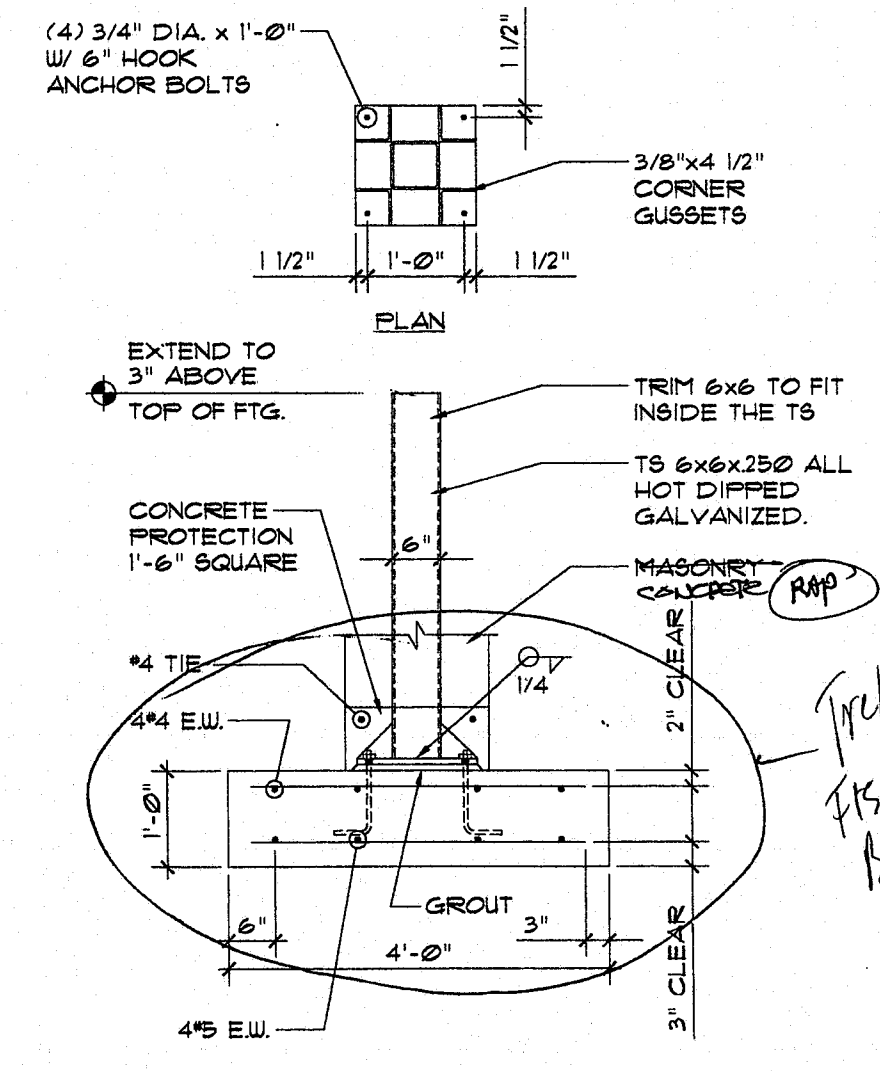
4 DETAIL @ BEAM  
ST3 SCALE 1 1/2" = 1'-0"



3 DUMPSTER FTG.  
ST3 SCALE 3/4" = 1'-0"



2 HANDRAIL DETAIL  
ST3 SCALE 3/4" = 1'-0"



1 FTG. @ TRELLIS  
ST3 SCALE 3/4" = 1'-0"

99047