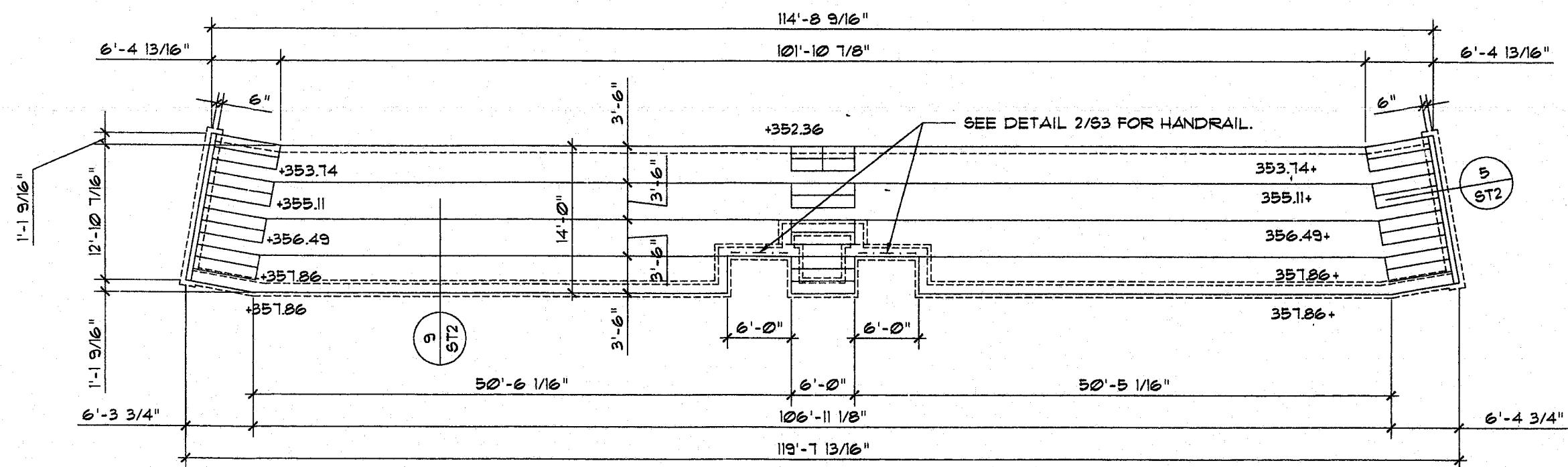
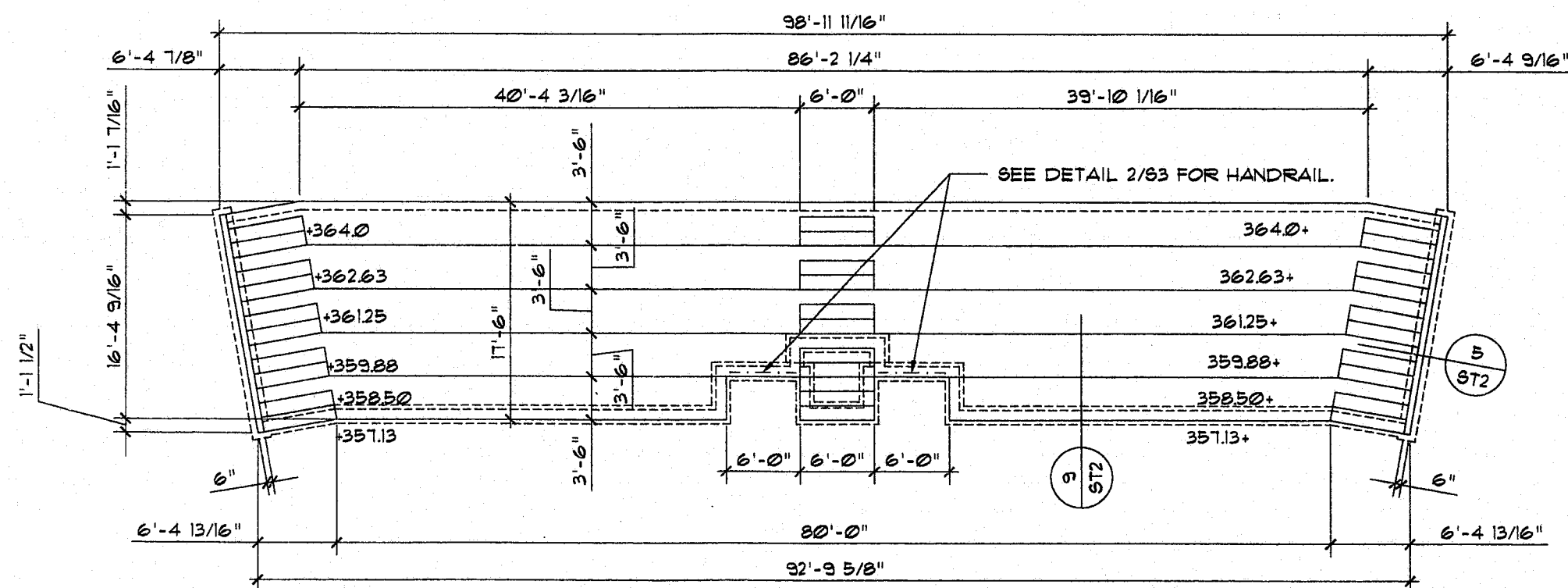


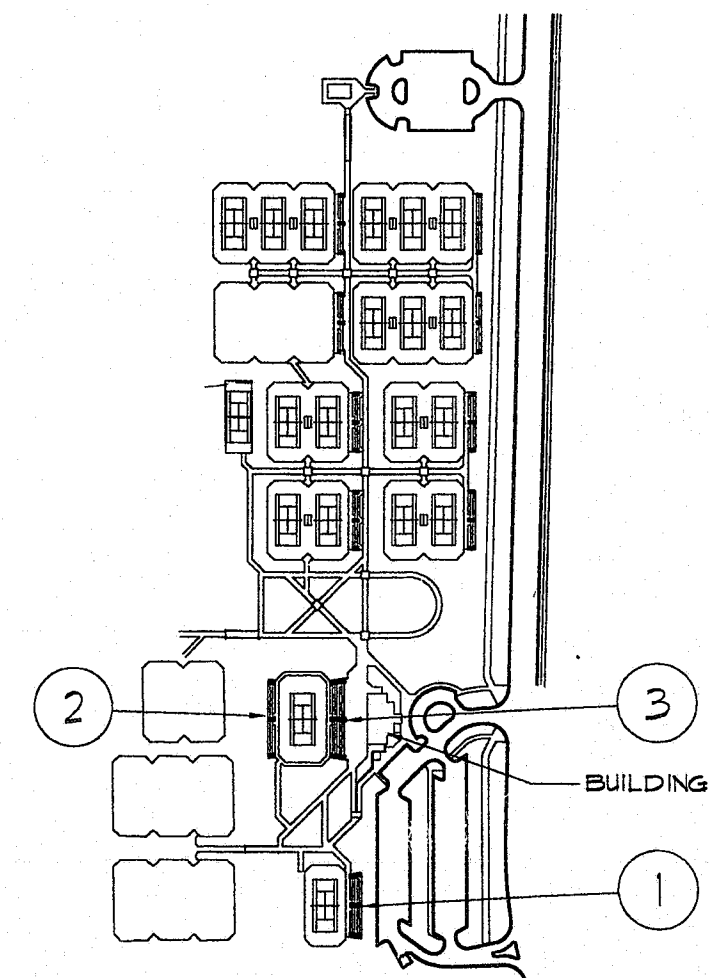
3 PLAN @ BLEACHERS (3)
ST4 SCALE 1/8" = 1'-0"



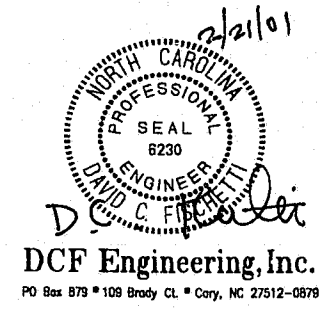
2 PLAN @ BLEACHERS (2)
ST4 SCALE 1/8" = 1'-0"



1 PLAN @ BLEACHERS (1)
ST4 SCALE 1/8" = 1'-0"



4 KEY PLAN
ST4 NOT TO SCALE



PATON / ZUCCHINO & ASSOCIATES, P.A.
LANDSCAPE ARCHITECTURE/PLANNING

Suite 101
1011 Wade Avenue
Raleigh, N.C. 27605
Bus. (919) 834-8620
Fax (919) 828-7068
www.paton-zucchino.com
e-mail: pza@paton-zucchino.com

- ◆ ARCHITECT:
CLINE DAVIS ARCHITECTS
RALEIGH, NC
- ◆ TENNIS CONSULTANT:
TRIANGLE TENNIS CONSULTANTS, INC.
CARY, NC
- ◆ STRUCTURAL ENGINEER:
DCF ENGINEERING
CARY, NC
- ◆ CIVIL ENGINEER:
H.J. GILLECE & ASSOCIATES
CARY, NC
- ◆ GEOTECHNICAL ENGINEER:
ECS CONSULTANTS, INC.
CARY, NC
- ◆ ELECTRICAL ENGINEER:
TRIANGLE ENGINEERING ASSOCIATES
RALEIGH, NC
- ◆ OWNER:
TOWN OF CARY
CARY, NC

- ◆ PROJECT:
CARY TENNIS CENTER
- ◆ SHEET TITLE:
BLEACHERS PLAN
- ◆ Issue Date:
- ◆ Revision:

DO-SPOB-A
APPROVED
SD 3/28/01
TM 3-2-01

*MUST ALSO BE APPLIED BY INSPECTIONS & PERMITS DEPT.
◆ Project Number:

◆ Sheet Number:
ST4

99004T