

PATON / ZUCCHINO & ASSOCIATES, P.A.
LANDSCAPE ARCHITECTURE AND PLANNING

Suite 101
1001 Wade Avenue
Raleigh, N.C. 27605
Bus. (919) 834-8620
Fax (919) 828-7068
www.paton-zucchino.com
e-mail: pza@paton-zucchino.com

- ◆ ARCHITECT:
CLINE DAVIS ARCHITECTS
RALEIGH, NC
- ◆ TENNIS CONSULTANT:
TRIANGLE TENNIS CONSULTANTS, INC.
CARY, NC
- ◆ STRUCTURAL ENGINEER:
DCF ENGINEERING
CARY, NC
- ◆ CIVIL ENGINEER:
H.J. GILLECE & ASSOCIATES
CARY, NC
- ◆ GEOTECHNICAL ENGINEER:
ECS CONSULTANTS, INC.
CARY, NC
- ◆ ELECTRICAL ENGINEER:
TRIANGLE ENGINEERING ASSOCIATES
RALEIGH, NC
- ◆ OWNER:
TOWN OF CARY
CARY, NC

◆ PROJECT:
CARY TENNIS CENTER

◆ SHEET TITLE:
BLEACHERS PLAN

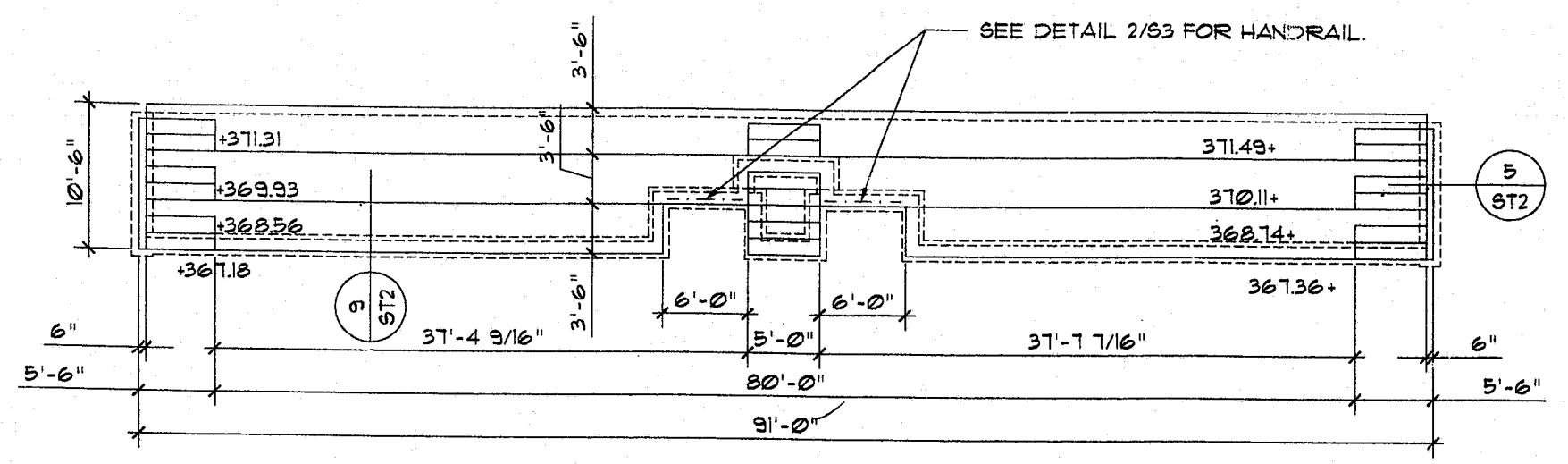
◆ Issue Date:

◆ Revision:

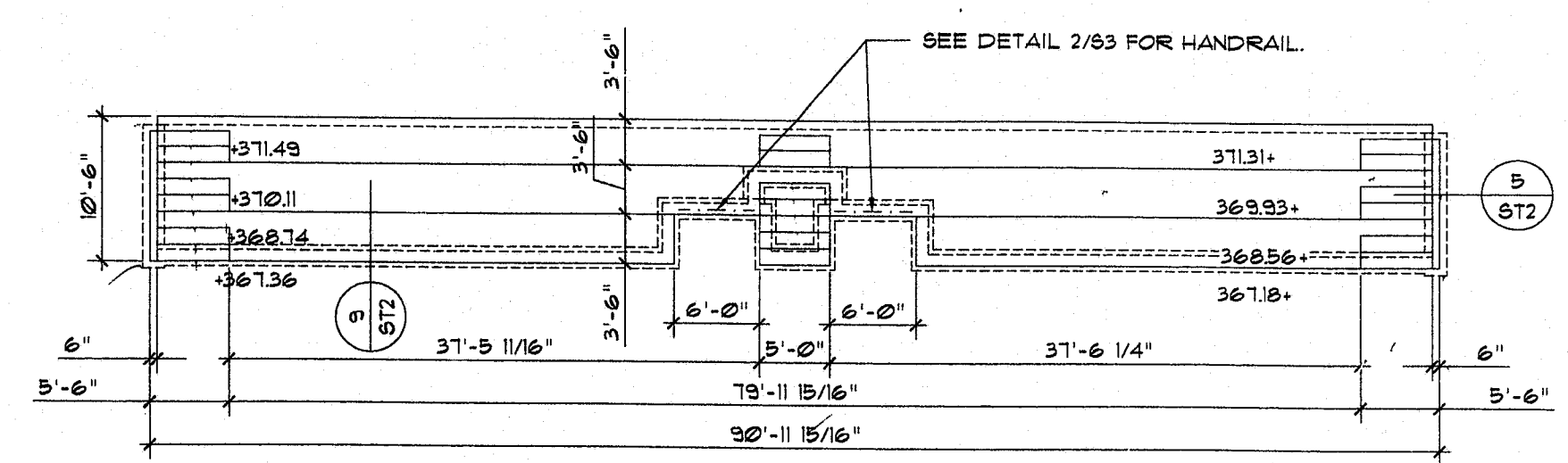
00-SP-018-A
APPROVED
DD 2/20/01
TM 3-2-01
*MUST ALSO BE APPLIED BY INSPECTIONS & PERMITS DEPT.
◆ Project Number:

◆ Sheet Number:
ST5

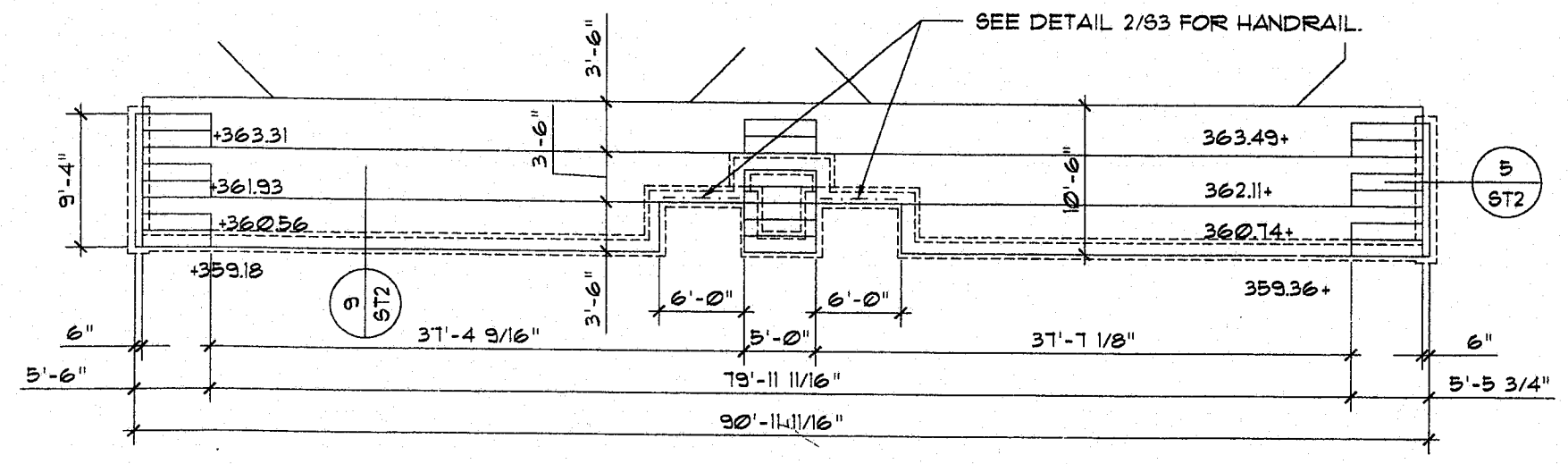
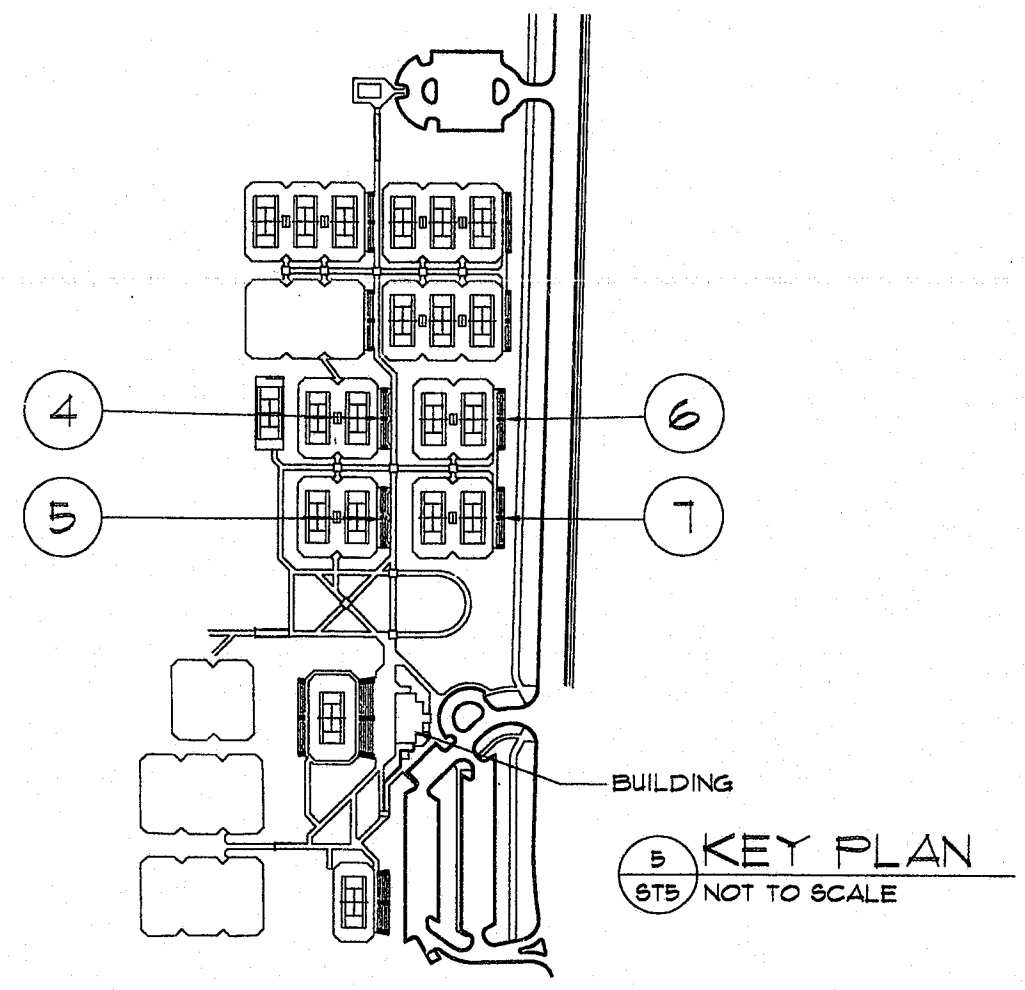
95047



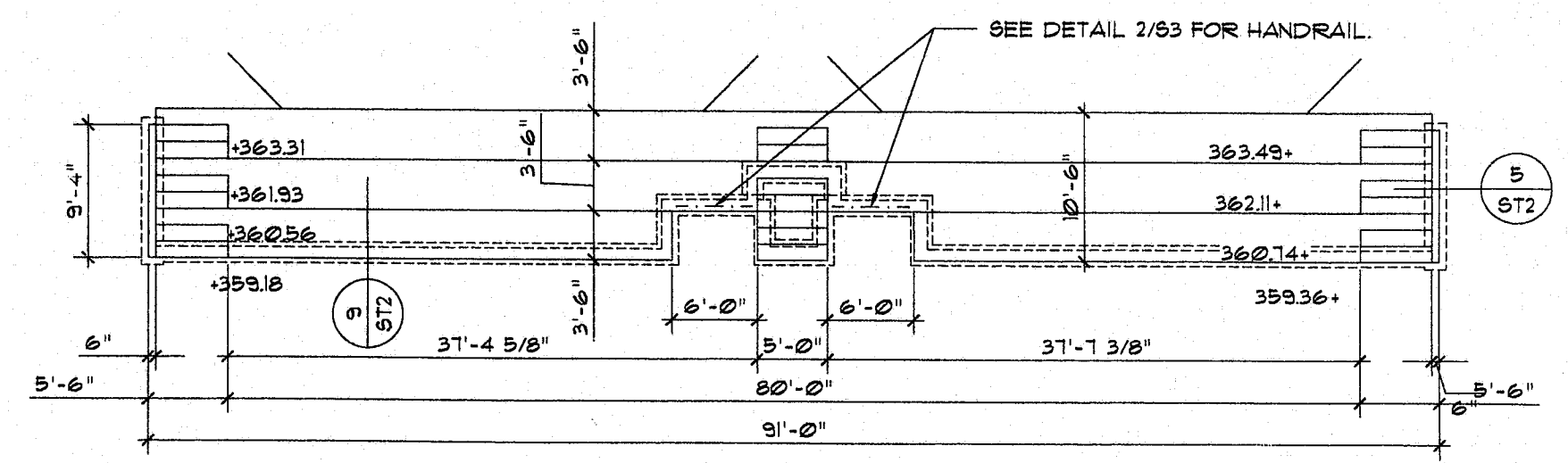
3 PLAN @ BLEACHERS (6)
ST5 / SCALE 1/8" = 1'-0"



4 PLAN @ BLEACHERS (7)
ST5 / SCALE 1/8" = 1'-0"



1 PLAN @ BLEACHERS (4)
ST5 / SCALE 1/8" = 1'-0"



2 PLAN @ BLEACHERS (5)
ST5 / SCALE 1/8" = 1'-0"