

PATON / ZUCCHINO & ASSOCIATES, P.A.
 LANDSCAPE ARCHITECTURE & PLANNING

Suite 101
 1001 Wade Avenue
 Raleigh, N.C. 27605
 Bus. (919) 834-8620
 Fax (919) 828-7068
 www.paton-zucchino.com
 e-mail: pza@paton-zucchino.com

- ◆ ARCHITECT:
CLINE DAVIS ARCHITECTS
RALEIGH, NC
- ◆ TENNIS CONSULTANT:
TRIANGLE TENNIS CONSULTANTS, INC.
CARY, NC
- ◆ STRUCTURAL ENGINEER:
DCF ENGINEERING
CARY, NC
- ◆ CIVIL ENGINEER:
H.J. GILLECE & ASSOCIATES
CARY, NC
- ◆ GEOTECHNICAL ENGINEER:
ECS CONSULTANTS, INC.
CARY, NC
- ◆ ELECTRICAL ENGINEER:
TRIANGLE ENGINEERING ASSOCIATES
RALEIGH, NC
- OWNER:
TOWN OF CARY
CARY, NC

● PROJECT:
CARY TENNIS CENTER

● SHEET TITLE:
BLEACHERS PLAN

● Issue Date:

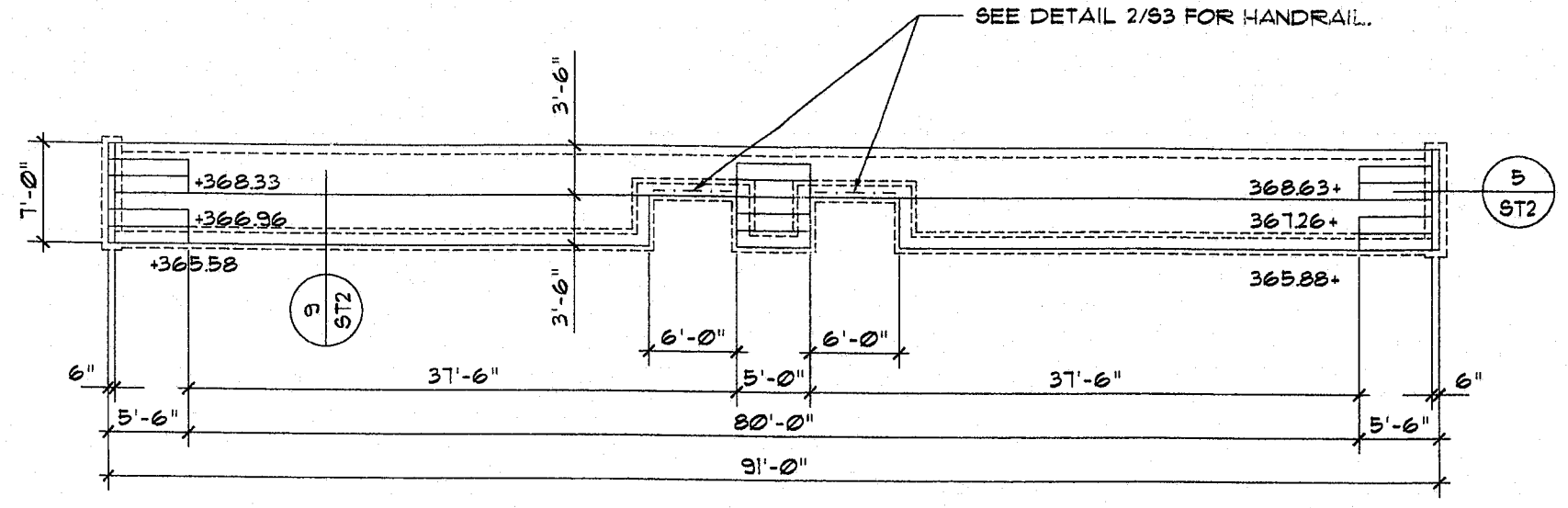
● Revision:

00-SP-018-A
APPROVED
 2/23/01
 TM 2/2/01
 * MUST ALSO BE APPROVED BY INSPECTIONS & PERMITS DEPT.

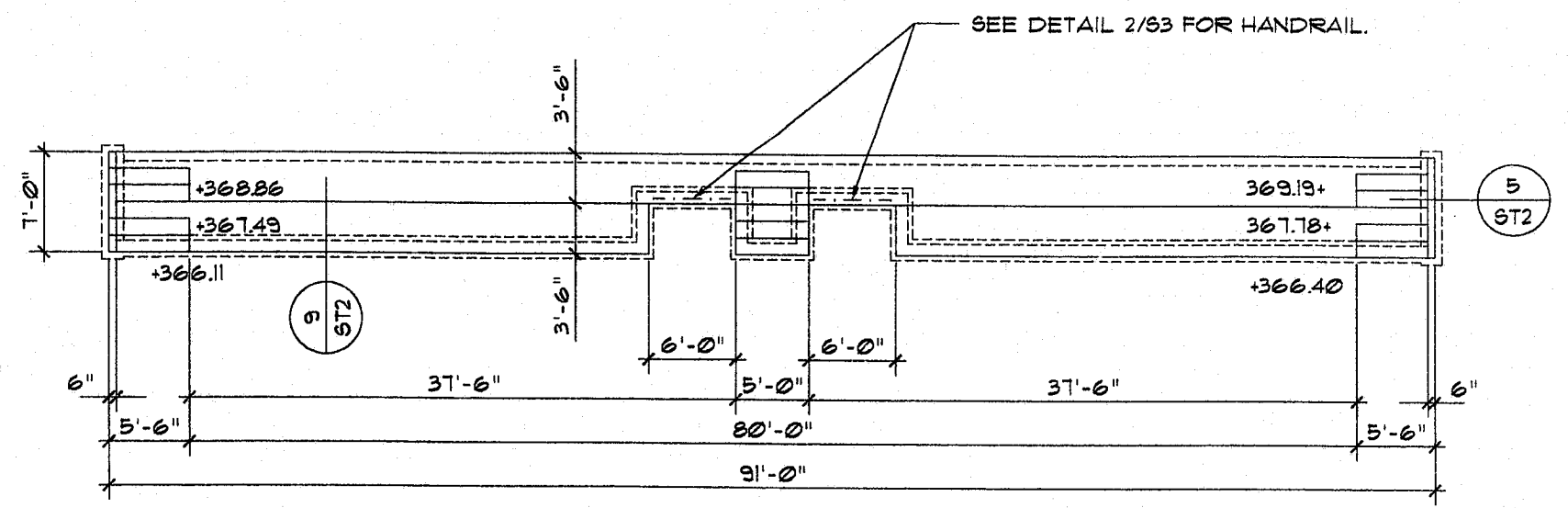
● Project Number:

● Sheet Number:

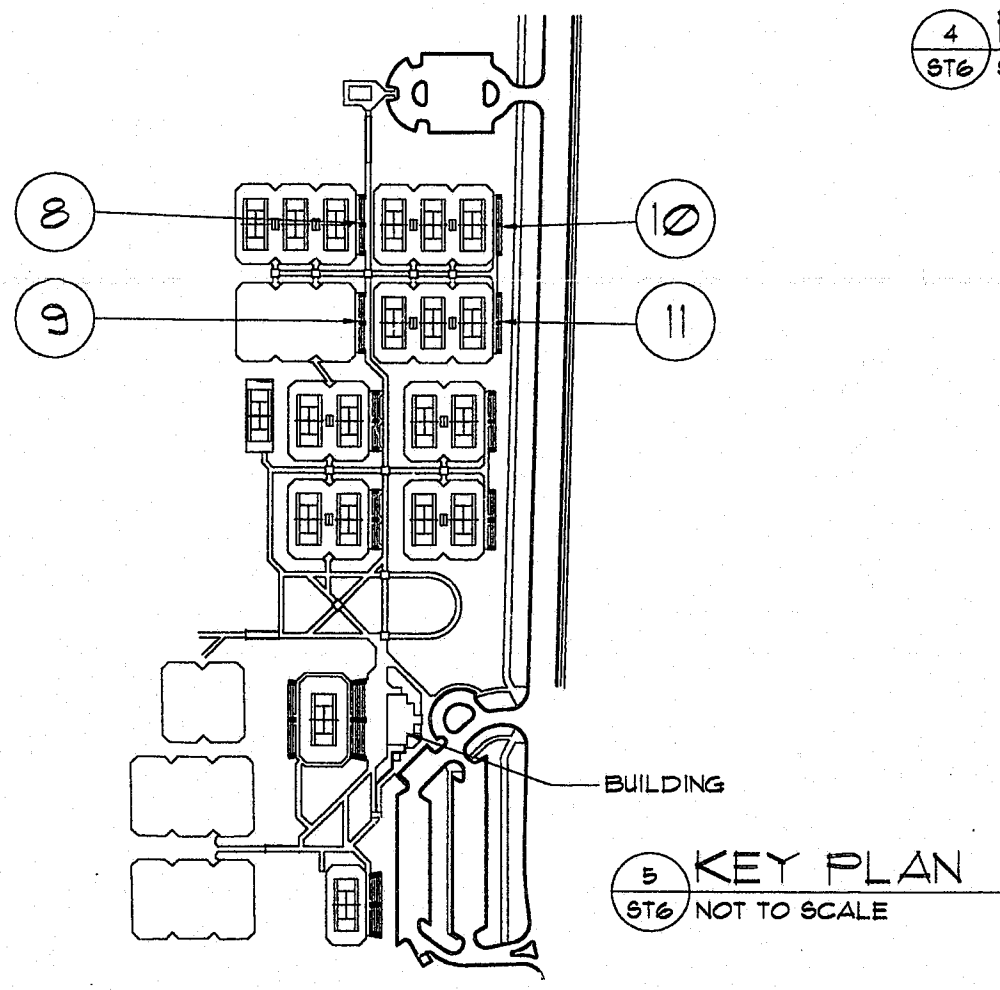
ST6



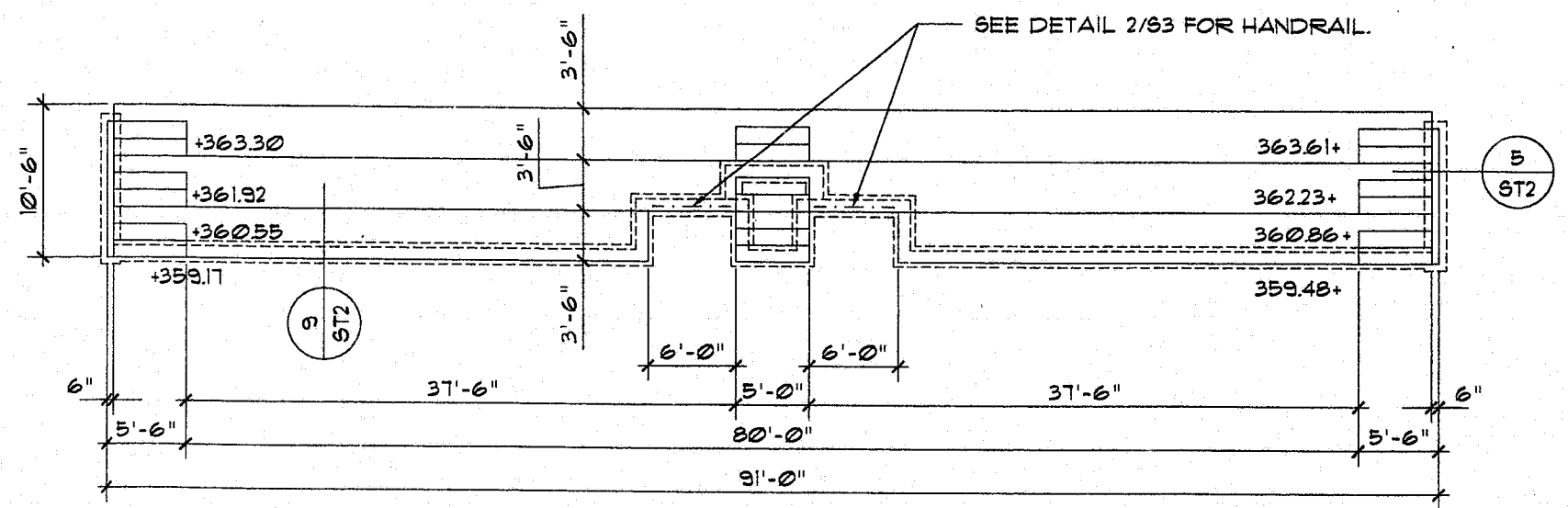
3 PLAN @ BLEACHERS (10)
 ST6 SCALE 1/8" = 1'-0"



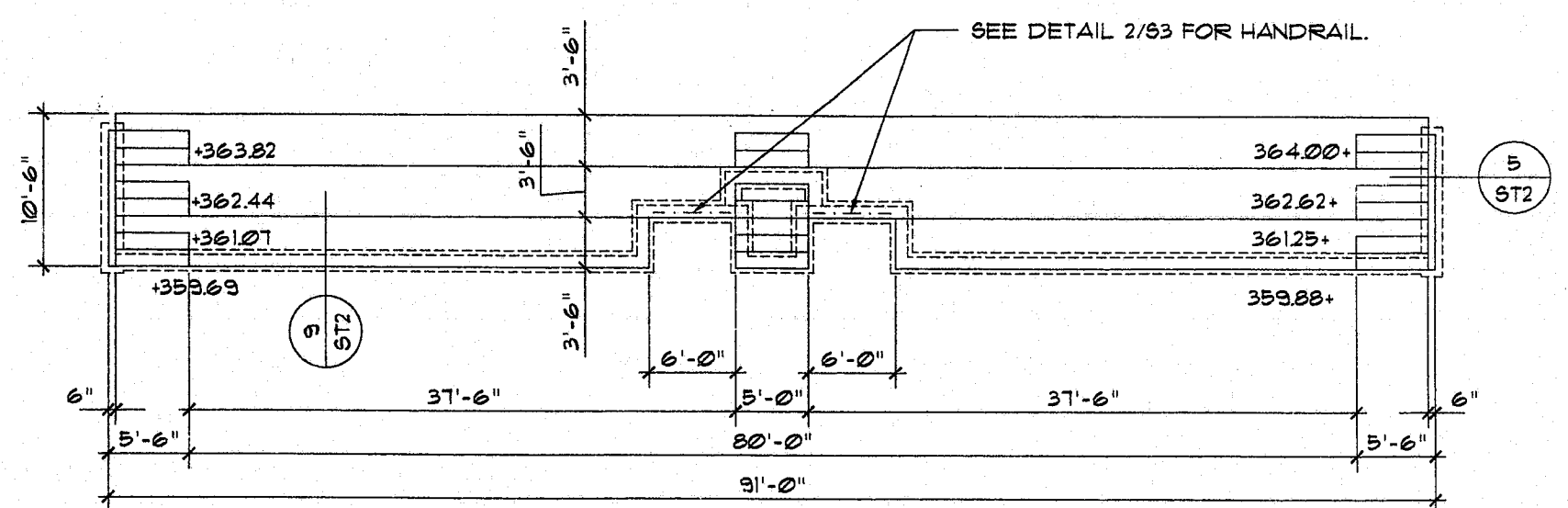
4 PLAN @ BLEACHERS (11)
 ST6 SCALE 1/8" = 1'-0"



5 KEY PLAN
 ST6 NOT TO SCALE



3 PLAN @ BLEACHERS (8)
 ST6 SCALE 1/8" = 1'-0"



4 PLAN @ BLEACHERS (9)
 ST6 SCALE 1/8" = 1'-0"

93047