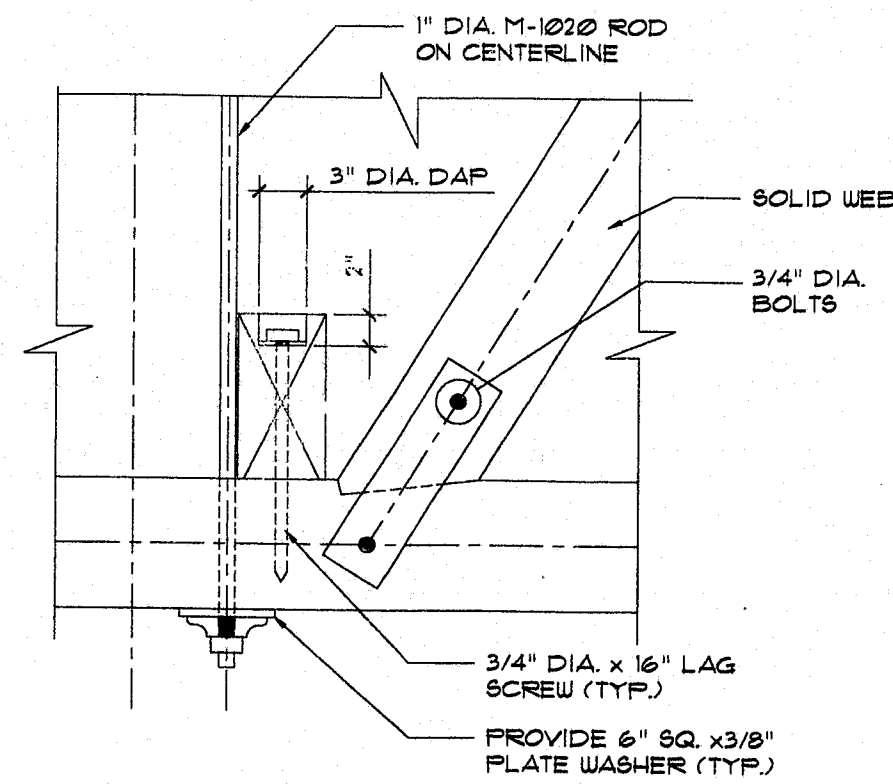
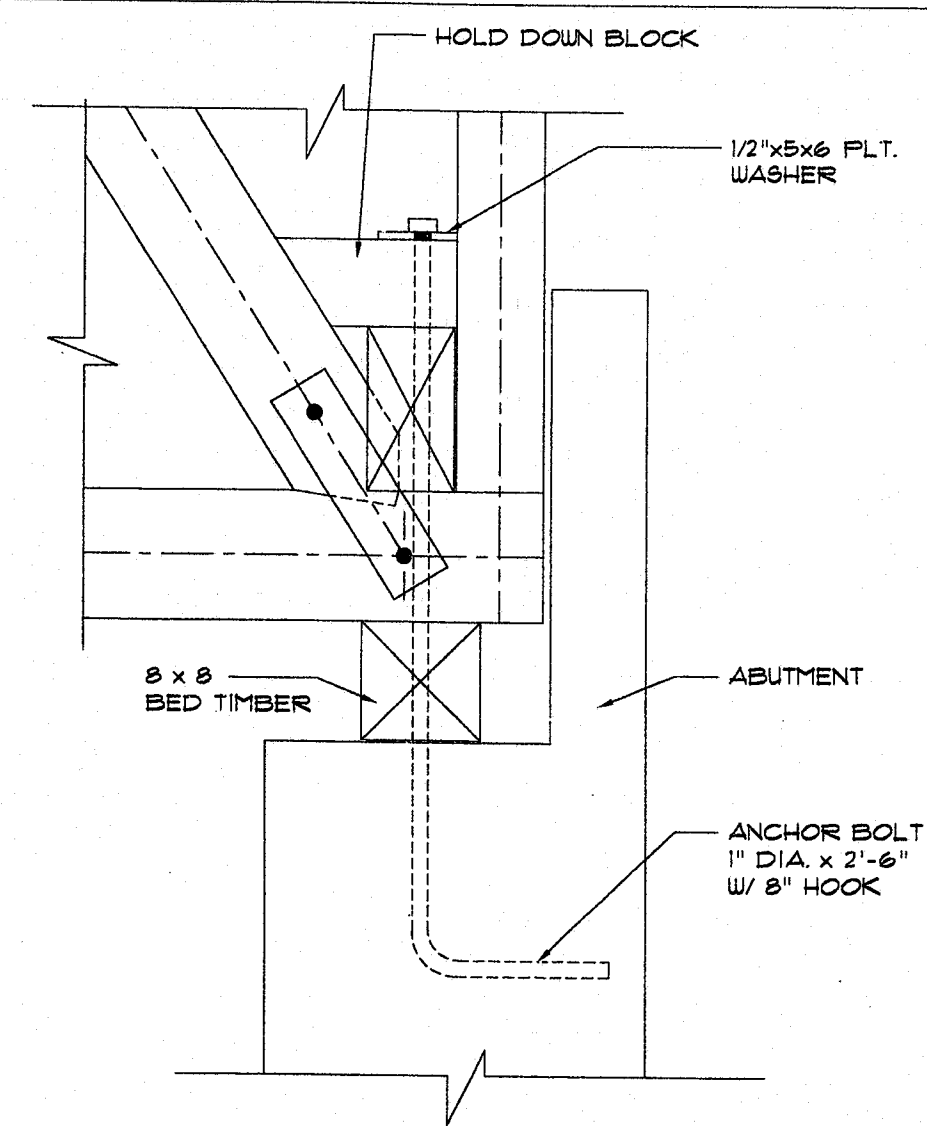


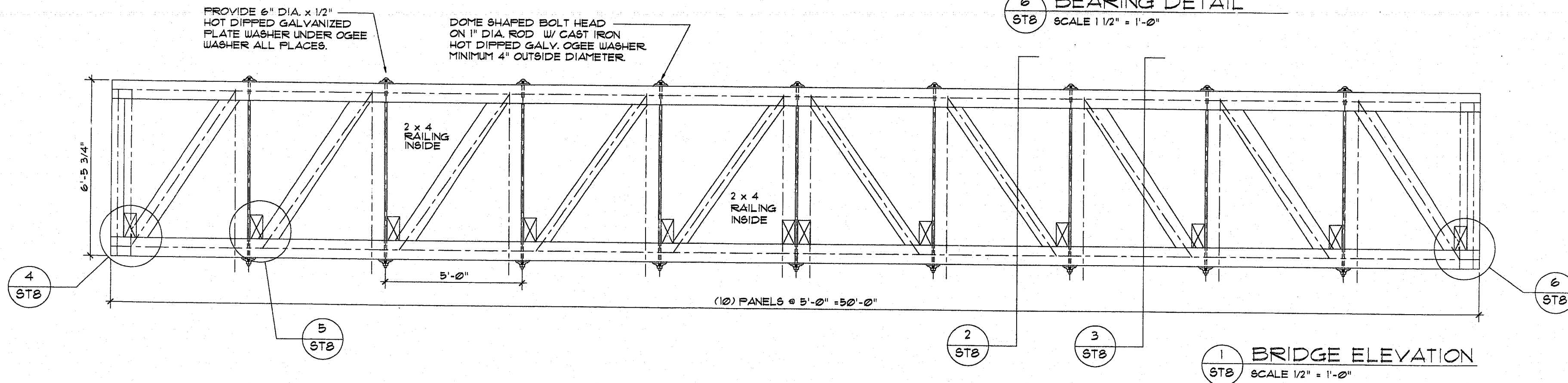
4 END BRACE DETAIL  
ST8 SCALE 1/2" = 1'-0"



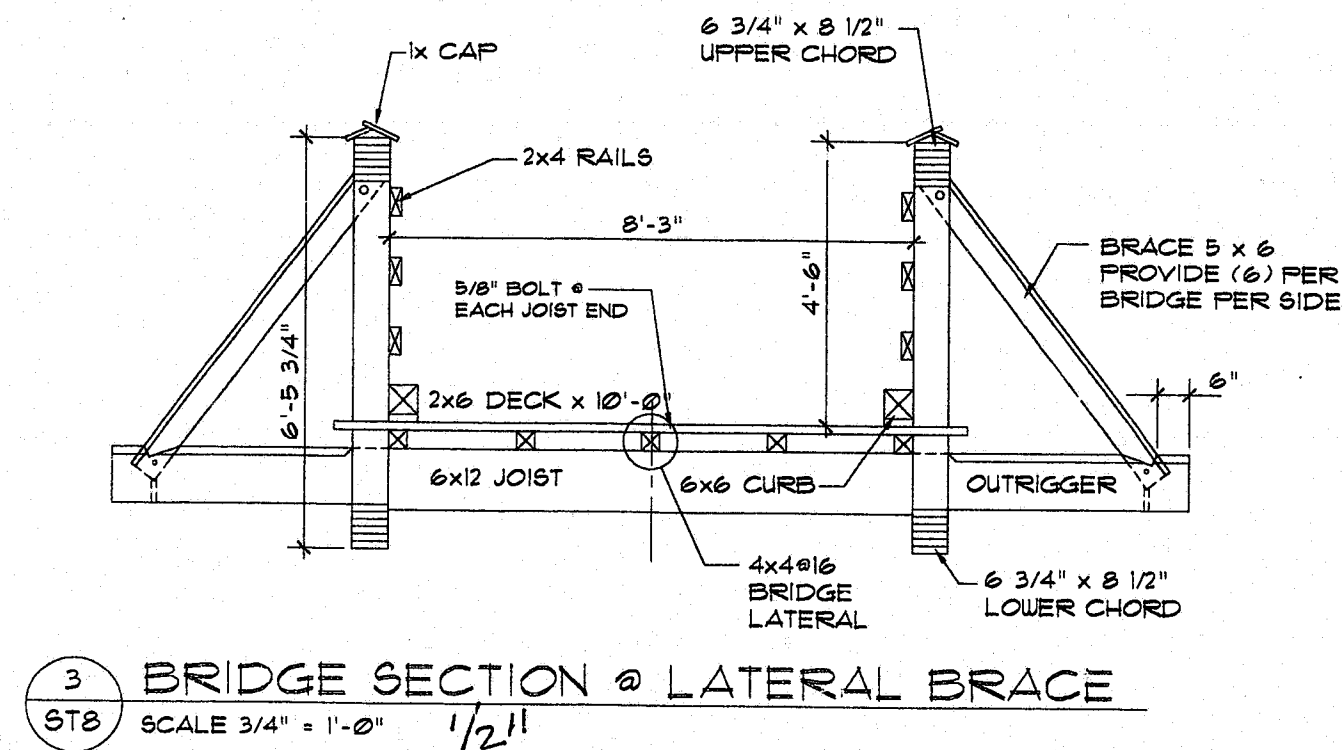
5 BRACE DETAIL  
ST8 SCALE 1/2" = 1'-0"



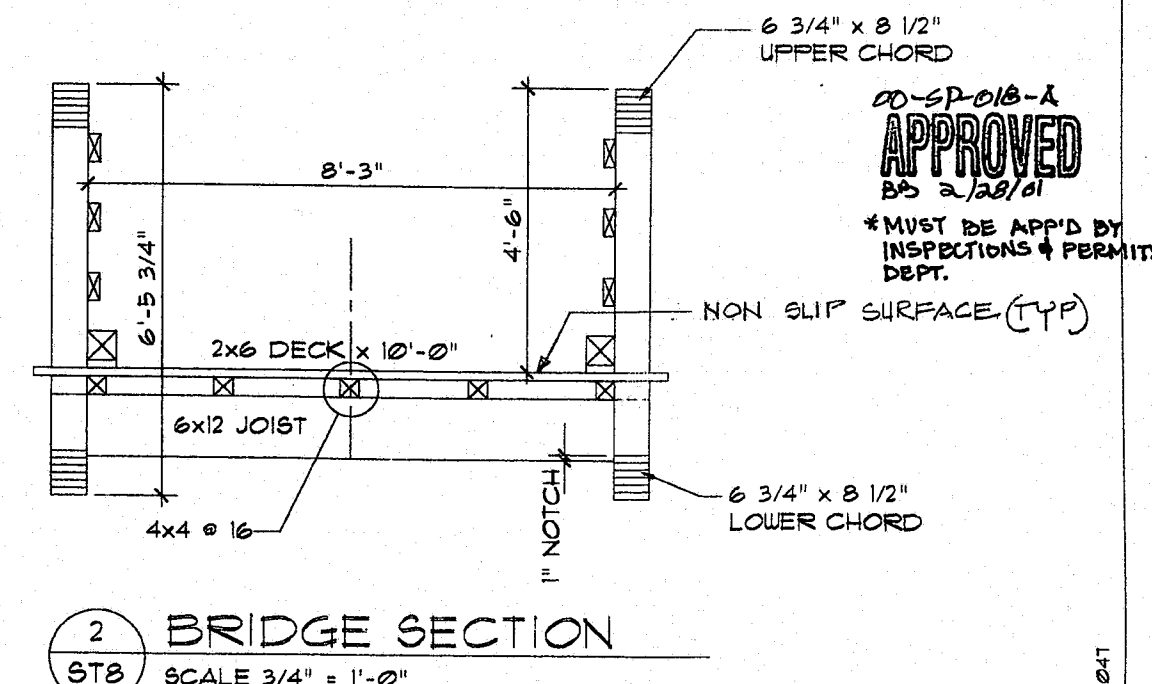
6 BEARING DETAIL  
ST8 SCALE 1/2" = 1'-0"



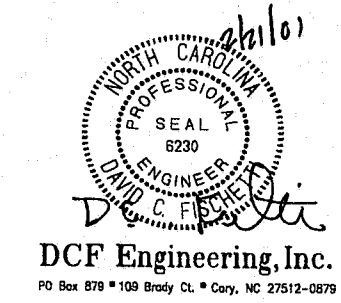
1 BRIDGE ELEVATION  
ST8 SCALE 1/2" = 1'-0"



3 BRIDGE SECTION @ LATERAL BRACE  
ST8 SCALE 3/4" = 1'-0" 1/2"



2 BRIDGE SECTION  
ST8 SCALE 3/4" = 1'-0"



**PATON / ZUCCHINO & ASSOCIATES, P.A.**  
LANDSCAPE ARCHITECTURE/LAND PLANNING

Suite 101  
1001 Wade Avenue  
Raleigh, N.C. 27605  
Bus. (919) 834-8620  
Fax (919) 828-7068  
www.paton-zucchino.com  
e-mail: pza@paton-zucchino.com

- ◆ ARCHITECT:  
CLINE DAVIS ARCHITECTS  
RALEIGH, NC
- ◆ TENNIS CONSULTANT:  
TRIANGLE TENNIS CONSULTANTS, INC.  
CARY, NC
- ◆ STRUCTURAL ENGINEER:  
DCF ENGINEERING  
CARY, NC
- ◆ CIVIL ENGINEER:  
H.J. GILLECE & ASSOCIATES  
CARY, NC
- ◆ GEOTECHNICAL ENGINEER:  
ECS CONSULTANTS, INC.  
CARY, NC
- ◆ ELECTRICAL ENGINEER:  
TRIANGLE ENGINEERING ASSOCIATES  
RALEIGH, NC

● OWNER:  
TOWN OF CARY  
CARY, NC

● PROJECT:  
CARY TENNIS CENTER

● SHEET TITLE:  
BRIDGE SUPERSTRUCTURE

● Issue Date:

● Revision:  
8 FEB 2001  
NON SLIP SURFACE ON ALL BRIDGES (APPLIES TO ST8A ALSO)

● Project Number:

● Sheet Number:

**ST8**

98247