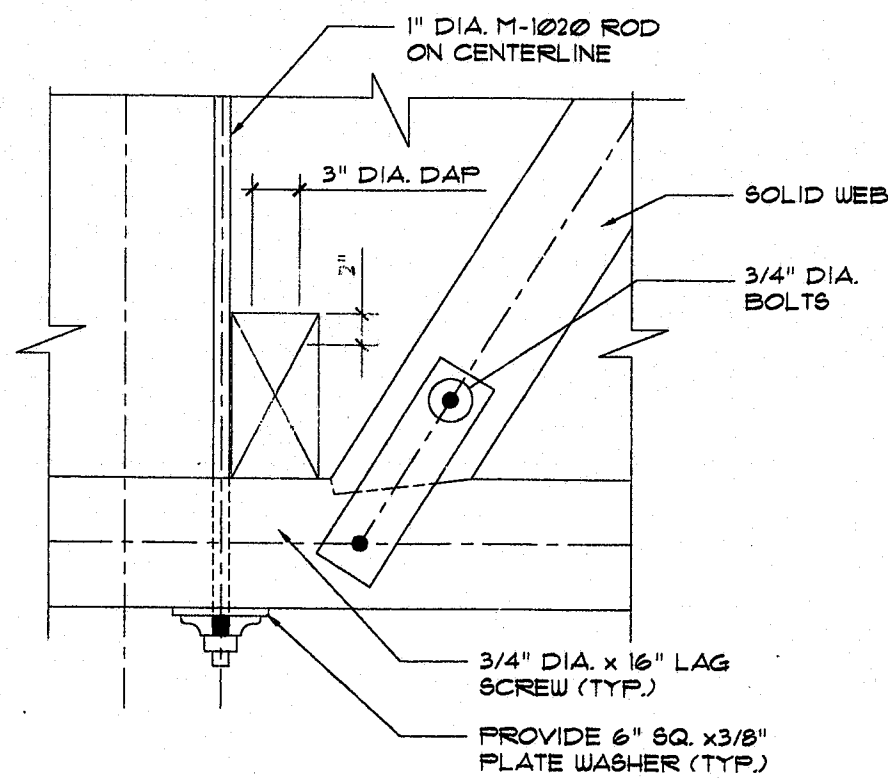
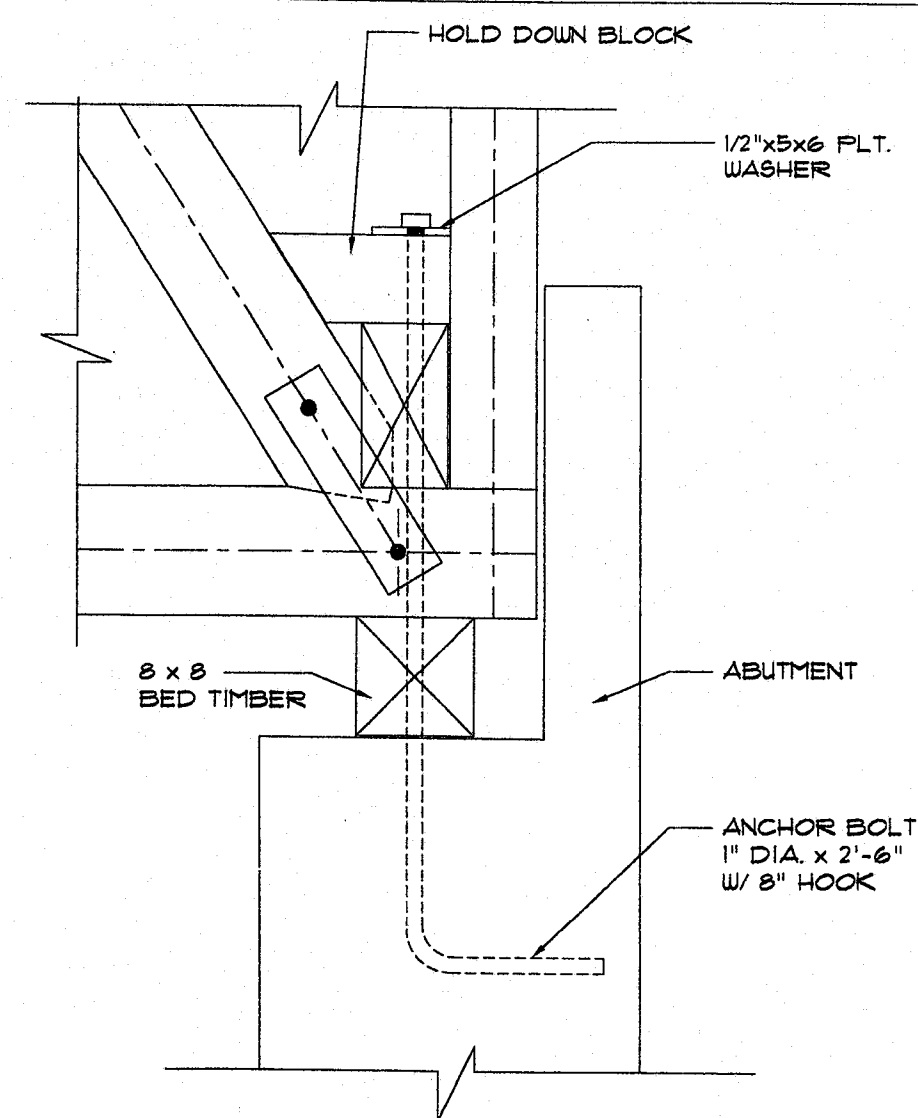


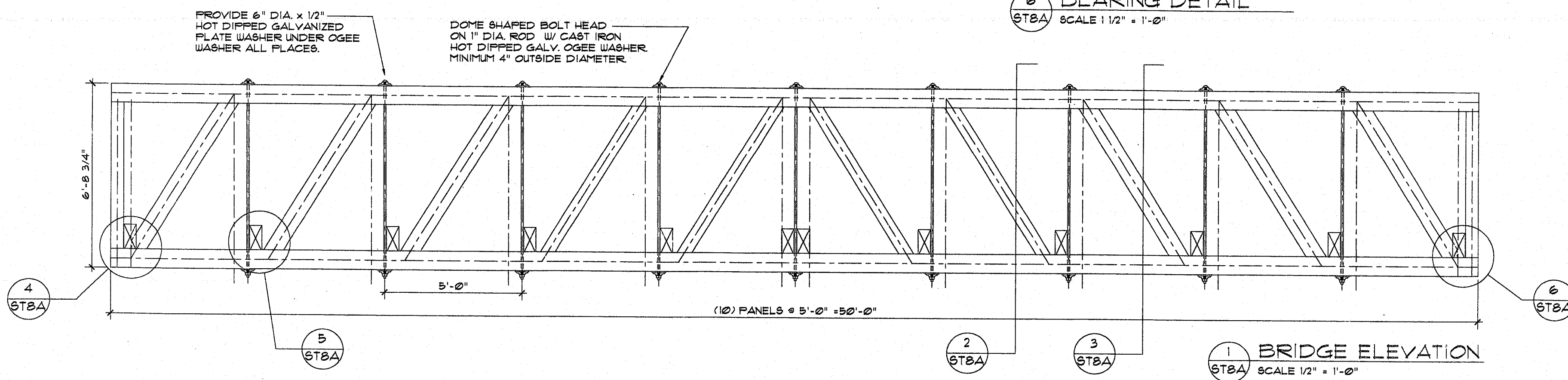
4 END BRACE DETAIL
ST8A SCALE 1/2" = 1'-0"



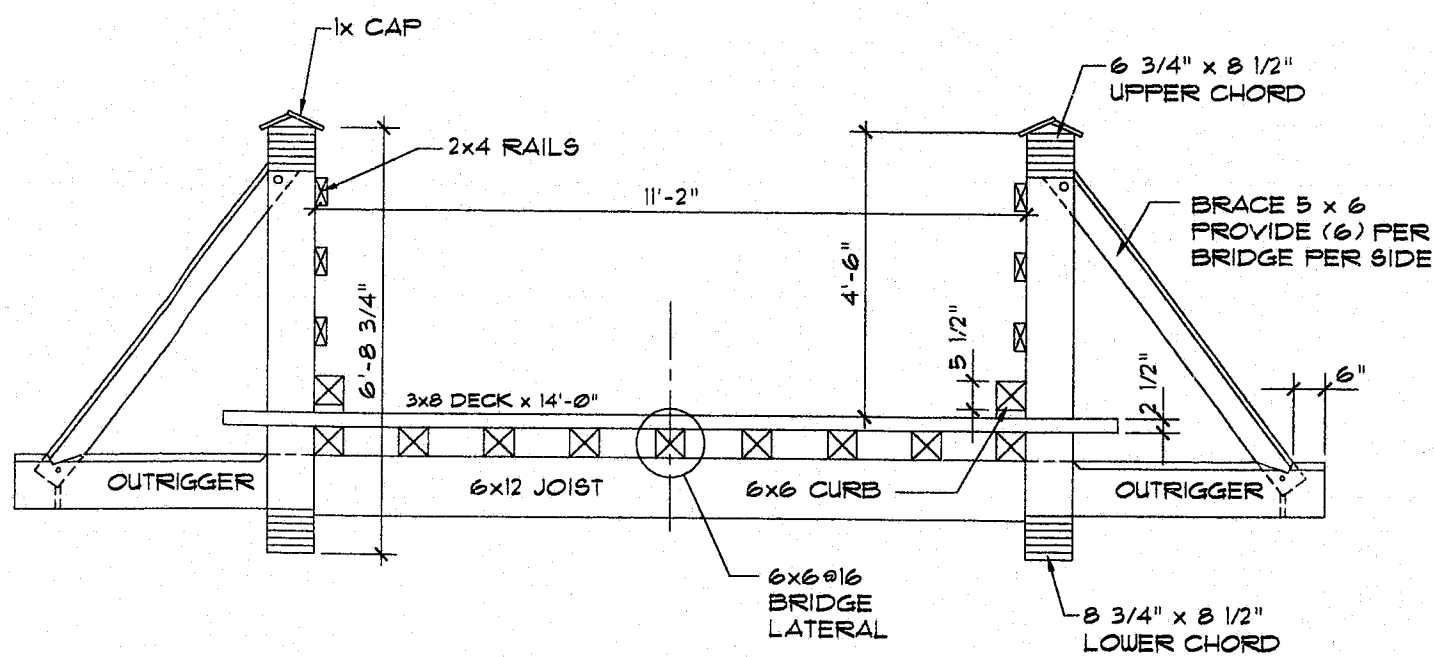
5 BRACE DETAIL
ST8A SCALE 1/2" = 1'-0"



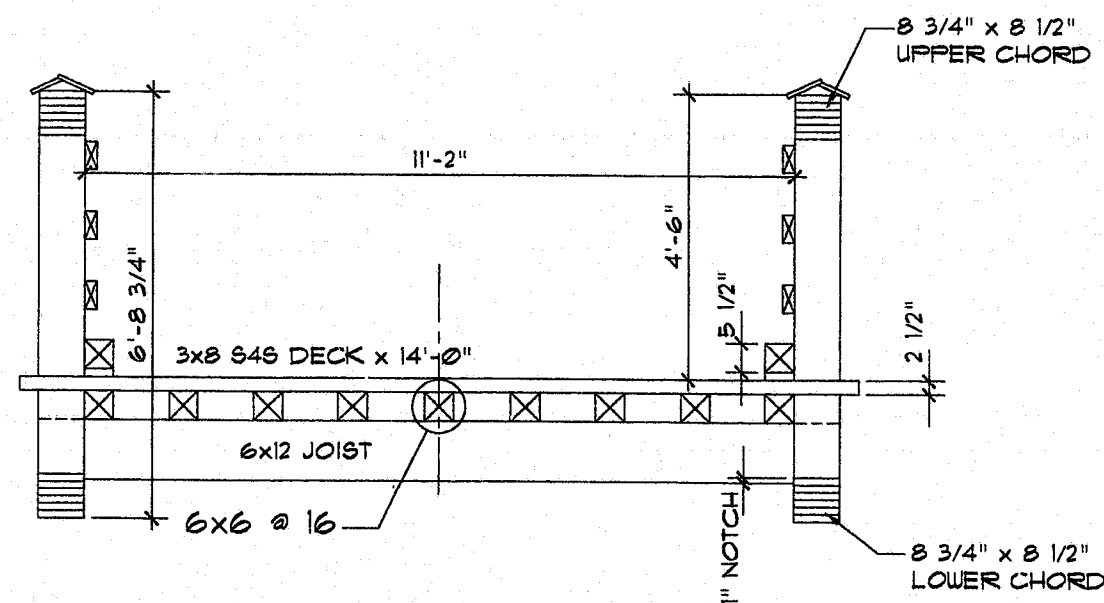
6 BEARING DETAIL
ST8A SCALE 1/2" = 1'-0"



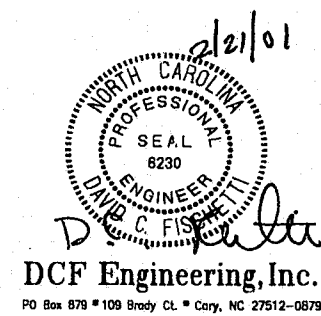
1 BRIDGE ELEVATION
ST8A SCALE 1/2" = 1'-0"



3 BRIDGE SECTION @ LATERAL BRACE
ST8A SCALE 1/2" = 1'-0"



2 BRIDGE SECTION
ST8A SCALE 1/2" = 1'-0"



PATON / ZUCCHINO & ASSOCIATES, P.A.
LANDSCAPE ARCHITECTURE/LAND PLANNING

Suite 101
1001 Wade Avenue
Raleigh, NC 27605
Bus: (919) 834-8620
Fax: (919) 828-7058
www.paton-zucchino.com
e-mail: pza@paton-zucchino.com

- ◆ ARCHITECT:
CLINE DAVIS ARCHITECTS
RALEIGH, NC
- ◆ TENNIS CONSULTANT:
TRIANGLE TENNIS CONSULTANTS, INC.
CARY, NC
- ◆ STRUCTURAL ENGINEER:
DCF ENGINEERING
CARY, NC
- ◆ CIVIL ENGINEER:
H.J. GILLECE & ASSOCIATES
CARY, NC
- ◆ GEOTECHNICAL ENGINEER:
ECS CONSULTANTS, INC.
CARY, NC
- ◆ ELECTRICAL ENGINEER:
TRIANGLE ENGINEERING ASSOCIATES
RALEIGH, NC
- ◆ OWNER:
TOWN OF CARY
CARY, NC

◆ PROJECT:
CARY TENNIS CENTER

◆ SHEET TITLE:
BRIDGE SUPERSTRUCTURE

◆ Issue Date:

◆ Revision:

CO-SP-018-A
APPROVED
EB 2/28/01

* MUST BE APPL'D BY INSPECTIONS & PERMITS DEPT.

◆ Project Number:

◆ Sheet Number:

ST8A