

DCF Engineering Inc.
 PO Box 878 • 108 Bray Ct. • Cary, NC 27512-0878

PATON / ZUCCHINO & ASSOCIATES, P.A.
 LANDSCAPE ARCHITECTURE/LAND PLANNING

Suite 101
 1001 Wade Avenue
 Raleigh, N.C. 27605
 Bus: (919) 834-8620
 Fax: (919) 828-7068
 www.paton-zucchino.com
 e-mail: pza@paton-zucchino.com

- ◆ ARCHITECT:
CLINE DAVIS ARCHITECTS
RALEIGH, NC
- ◆ TENNIS CONSULTANT:
TRIANGLE TENNIS CONSULTANTS, INC.
CARY, NC
- ◆ STRUCTURAL ENGINEER:
DCF ENGINEERING
CARY, NC
- ◆ CIVIL ENGINEER:
H.J. GILLECE & ASSOCIATES
CARY, NC
- ◆ GEOTECHNICAL ENGINEER:
ECS CONSULTANTS, INC.
CARY, NC
- ◆ ELECTRICAL ENGINEER:
TRIANGLE ENGINEERING ASSOCIATES
RALEIGH, NC
- OWNER:
TOWN OF CARY
CARY, NC

● PROJECT:
CARY TENNIS CENTER

● SHEET TITLE:
SHELTER-STRUCTURAL

● Issue Date:

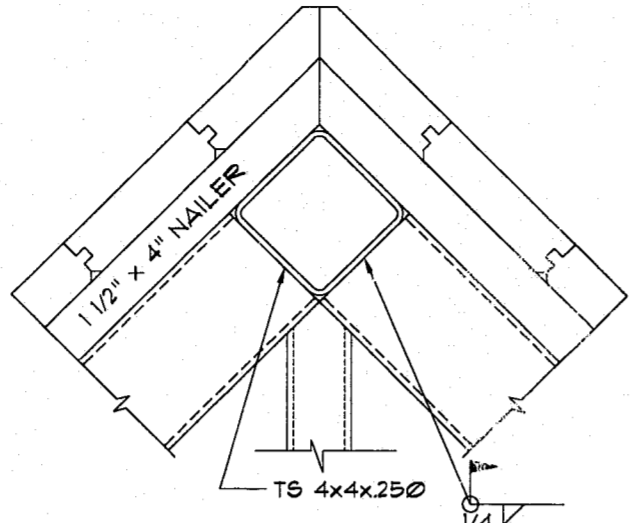
● Revision:

00-SP-08-A
APPROVED*
 BY 2/18/01
 TM 3-2-01
 *ELEVATIONS ONLY - NO STRUCTURAL

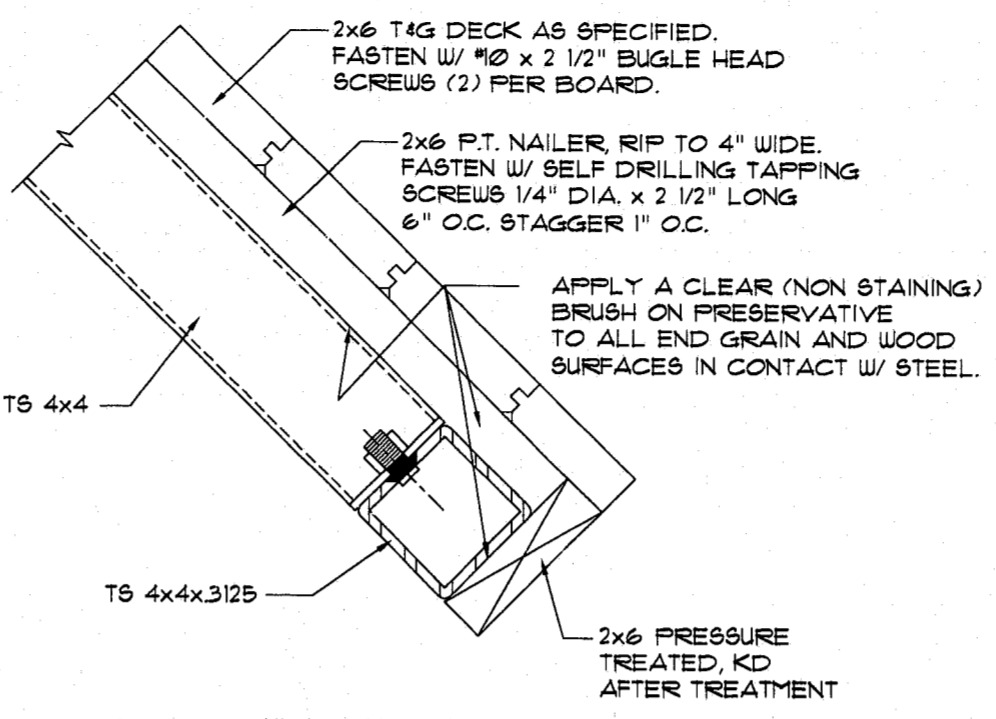
● Project Number:

● Sheet Number:

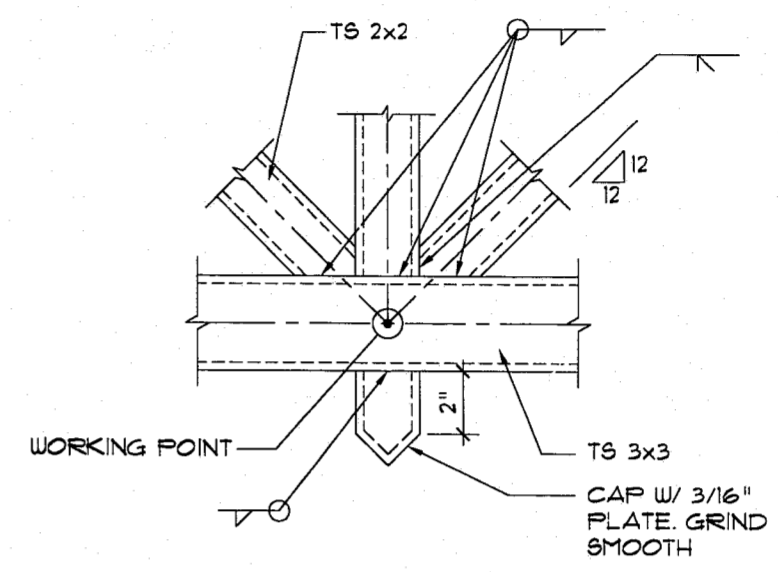
ST1



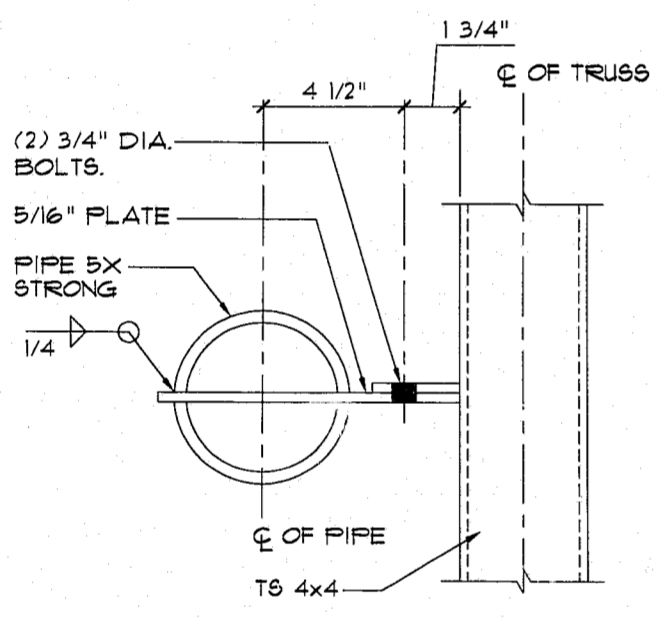
11 RIDGE
 ST1 SCALE 3" = 1'-0"



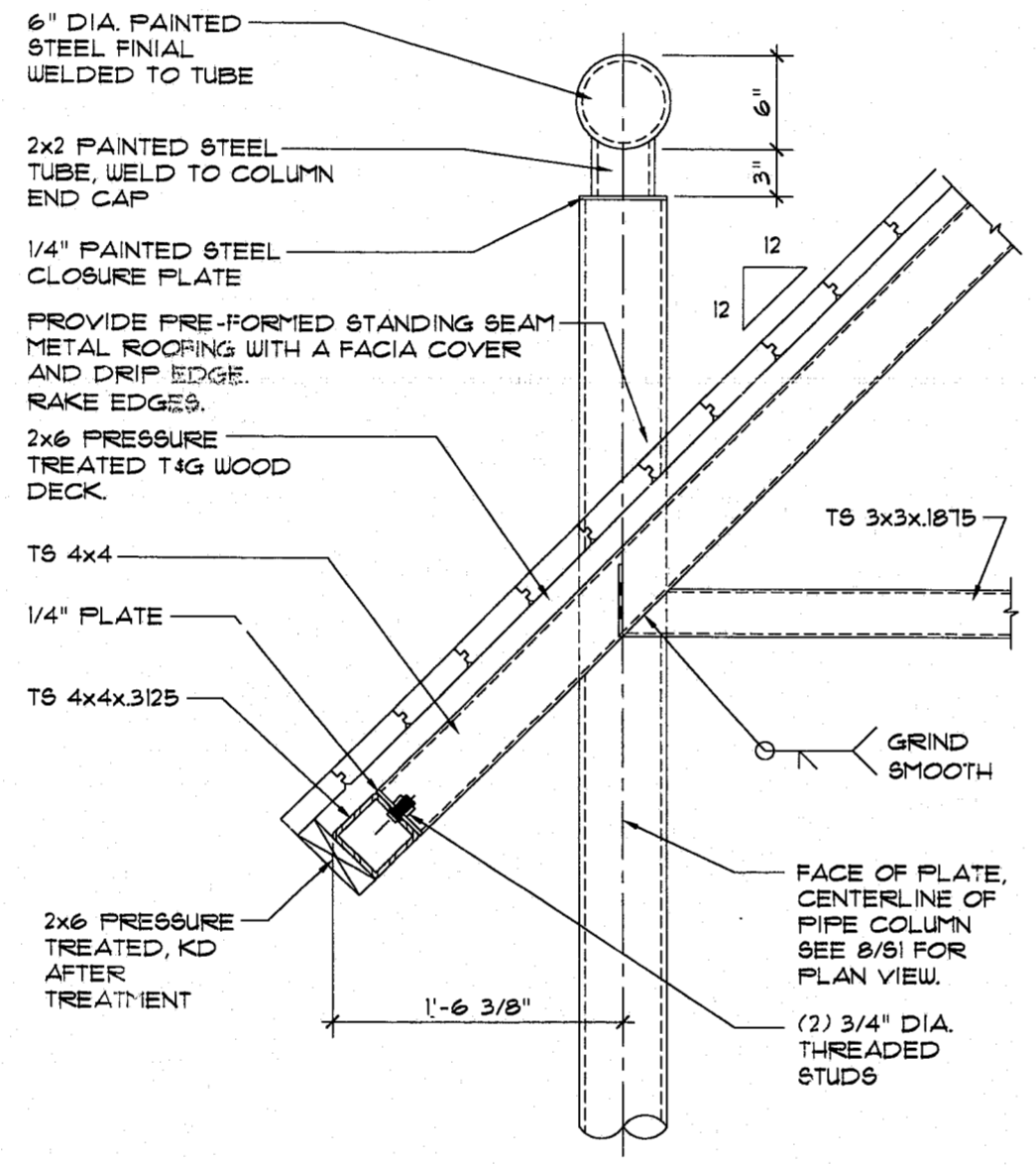
10 DETAIL
 ST1 SCALE 3" = 1'-0"



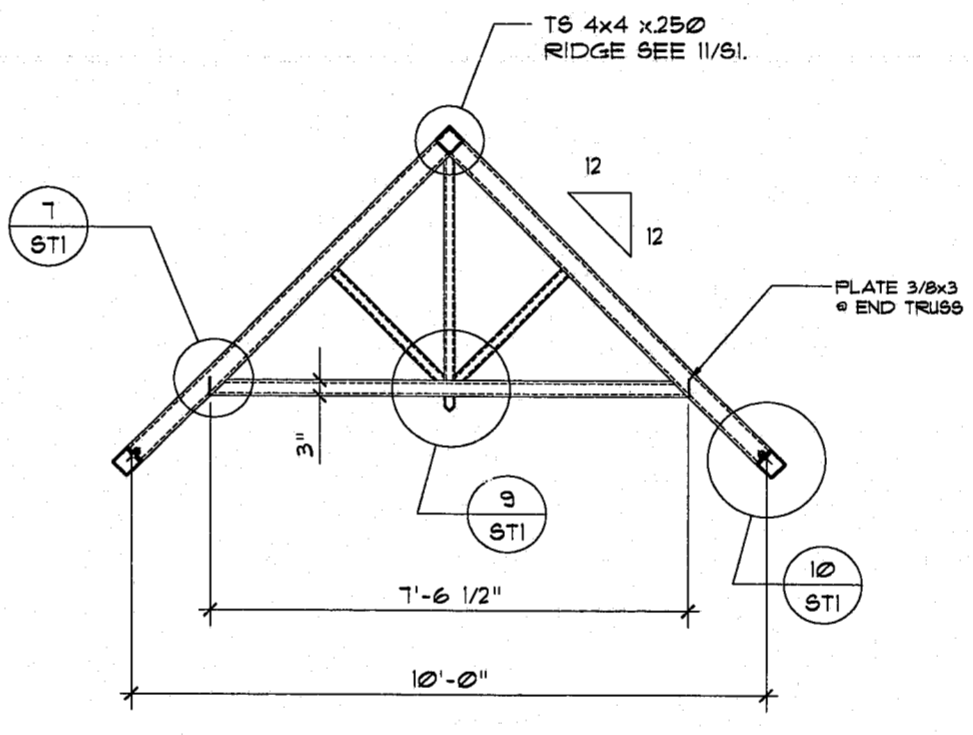
9 DETAIL
 ST1 SCALE 3" = 1'-0"



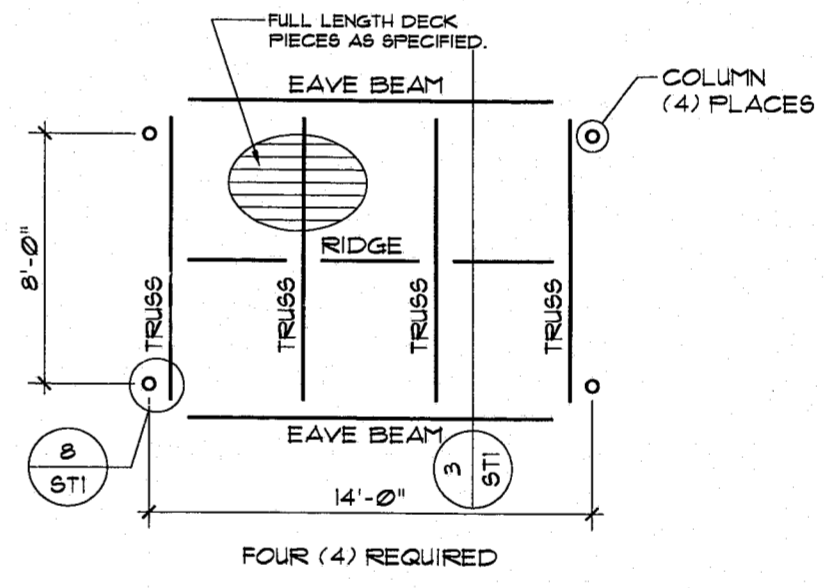
8 DETAIL @ PIPE COLUMN
 ST1 SCALE 3" = 1'-0"



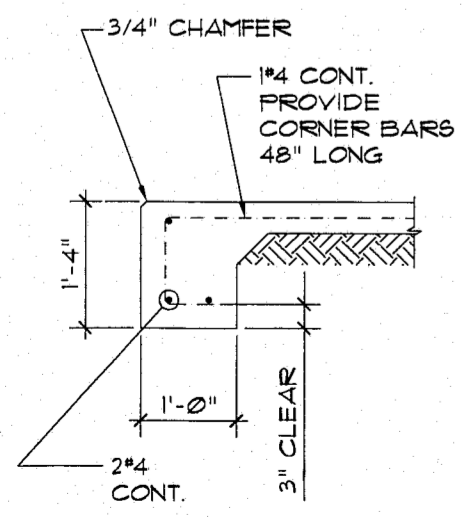
7 EAVE DETAIL
 ST1 SCALE 1 1/2" = 1'-0"



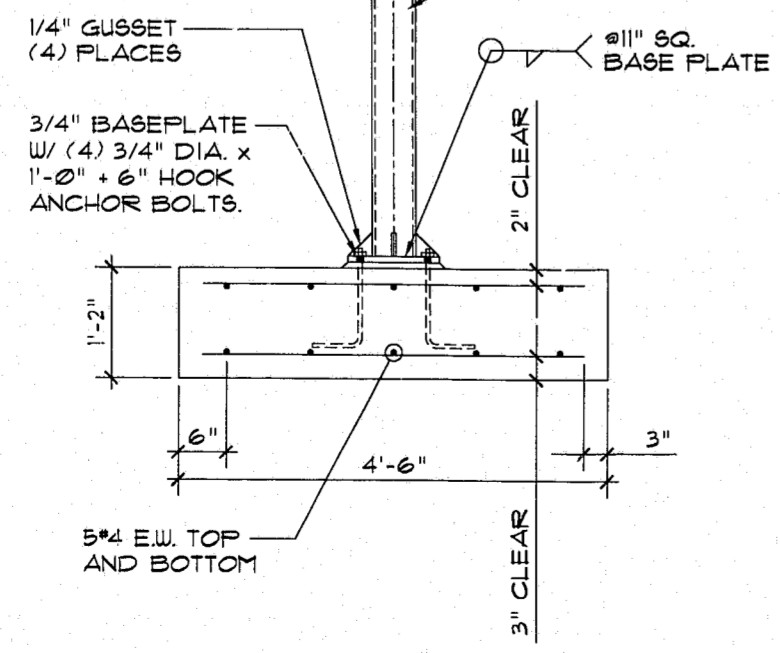
5 TRUSS ELEVATION
 ST1 SCALE 1/2" = 1'-0"



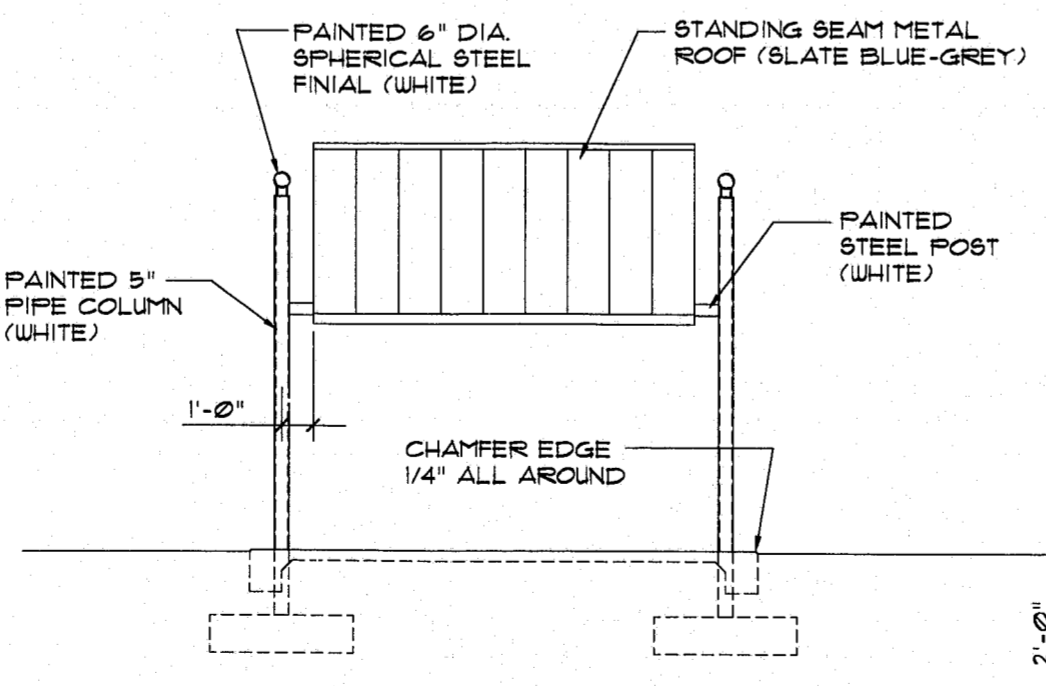
2 ROOF FRAMING PLAN
 ST1 SCALE 1/4" = 1'-0"



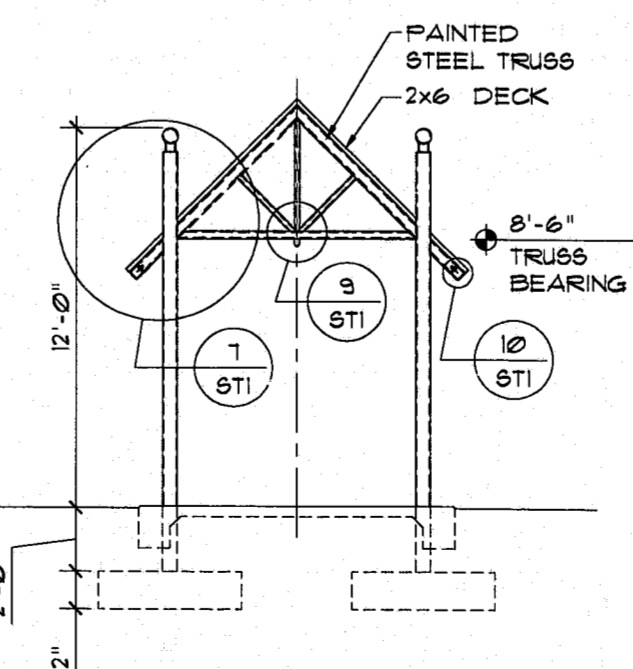
6 SECTION
 ST1 SCALE 3/4" = 1'-0"



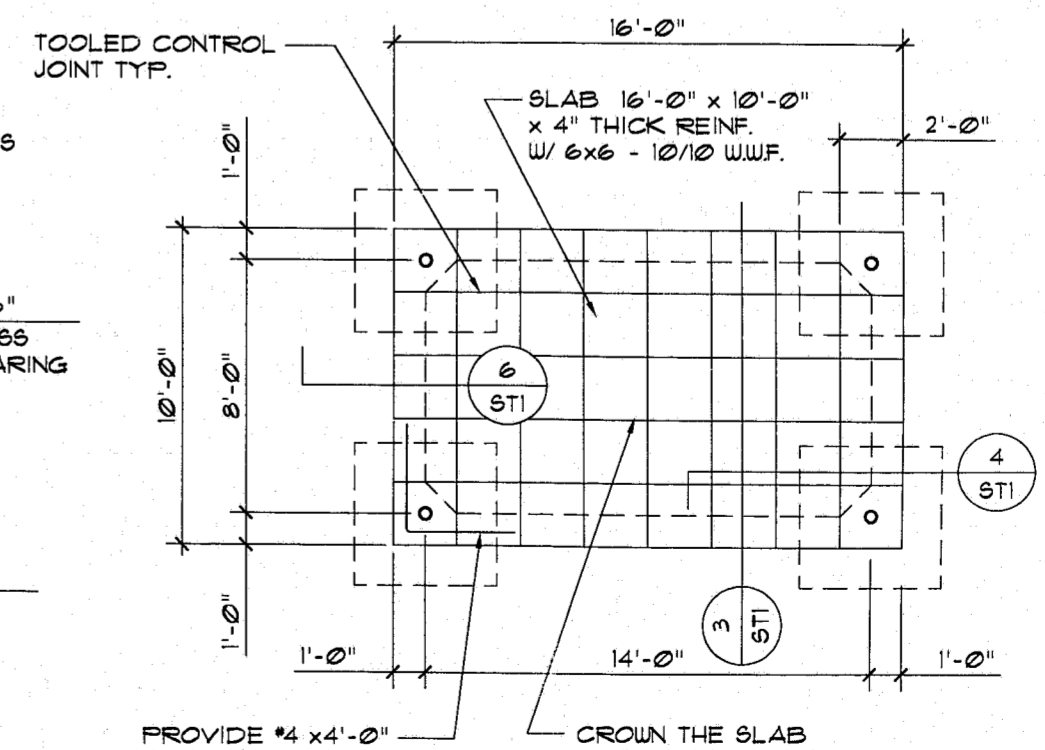
4 COLUMN FOOTING DETAIL
 ST1 SCALE 3/4" = 1'-0"



3A SIDE ELEVATION
 ST1 SCALE 1/4" = 1'-0"



3 END ELEVATION
 ST1 SCALE 1/4" = 1'-0"



1 FOUNDATION PLAN
 ST1 SCALE 1/4" = 1'-0"

98047