

PATON / ZUCCHINO & ASSOCIATES, P.A.
LANDSCAPE ARCHITECTURE/LAND PLANNING

Suite 101
1001 Wade Avenue
Raleigh, N.C. 27605
Bus. (919) 834-8620
Fax (919) 828-7068
www.paton-zucchino.com
e-mail: pza@paton-zucchino.com

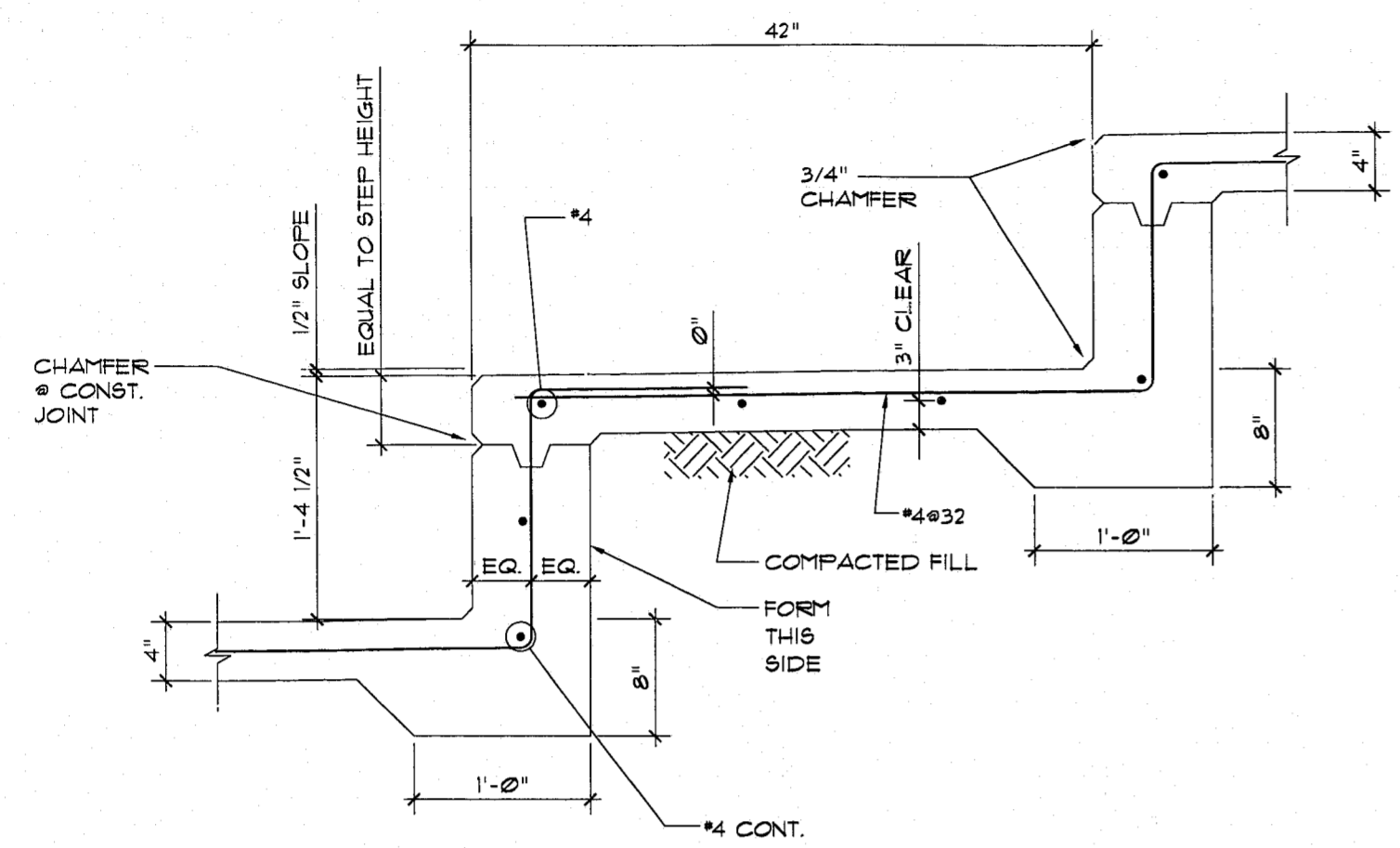
- ◆ ARCHITECT:
CLINE DAVIS ARCHITECTS
RALEIGH, NC
- ◆ TENNIS CONSULTANT:
TRIANGLE TENNIS CONSULTANTS, INC.
CARY, NC
- ◆ STRUCTURAL ENGINEER:
DCF ENGINEERING
CARY, NC
- ◆ CIVIL ENGINEER:
H.J. GILLECE & ASSOCIATES
CARY, NC
- ◆ GEOTECHNICAL ENGINEER:
ECS CONSULTANTS, INC.
CARY, NC
- ◆ ELECTRICAL ENGINEER:
TRIANGLE ENGINEERING ASSOCIATES
RALEIGH, NC
- ◆ OWNER:
TOWN OF CARY
CARY, NC

- ◆ PROJECT:
CARY TENNIS CENTER
- ◆ SHEET TITLE:
PRACTICE WALL
- ◆ Issue Date:
- ◆ Revision:

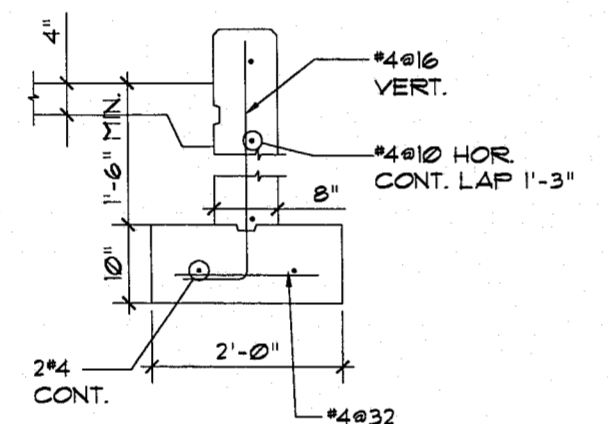
00-SP-018-A
APPROVED*
ES 2/26/01
TM B-2-01
*ELEVATION ONLY - NO STRUCTURAL

◆ Project Number:

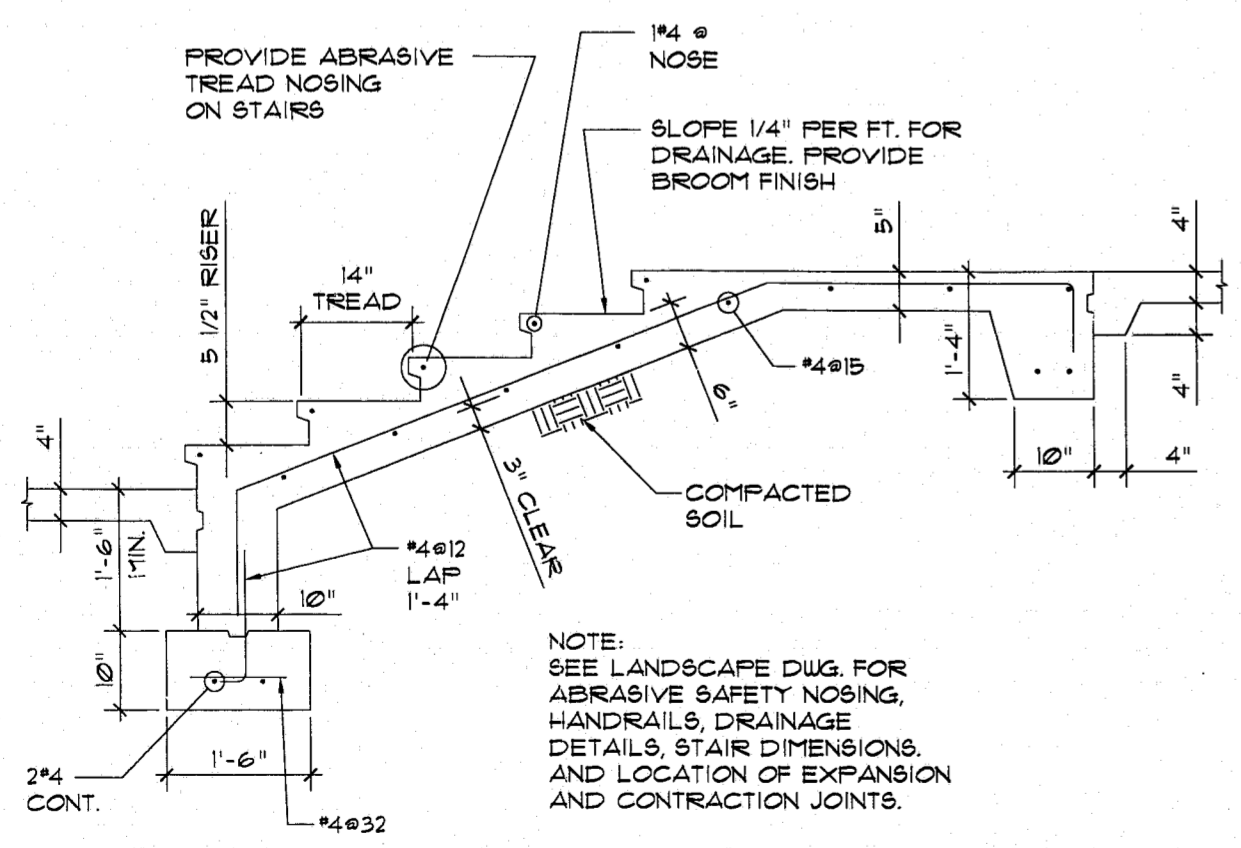
◆ Sheet Number:
ST2



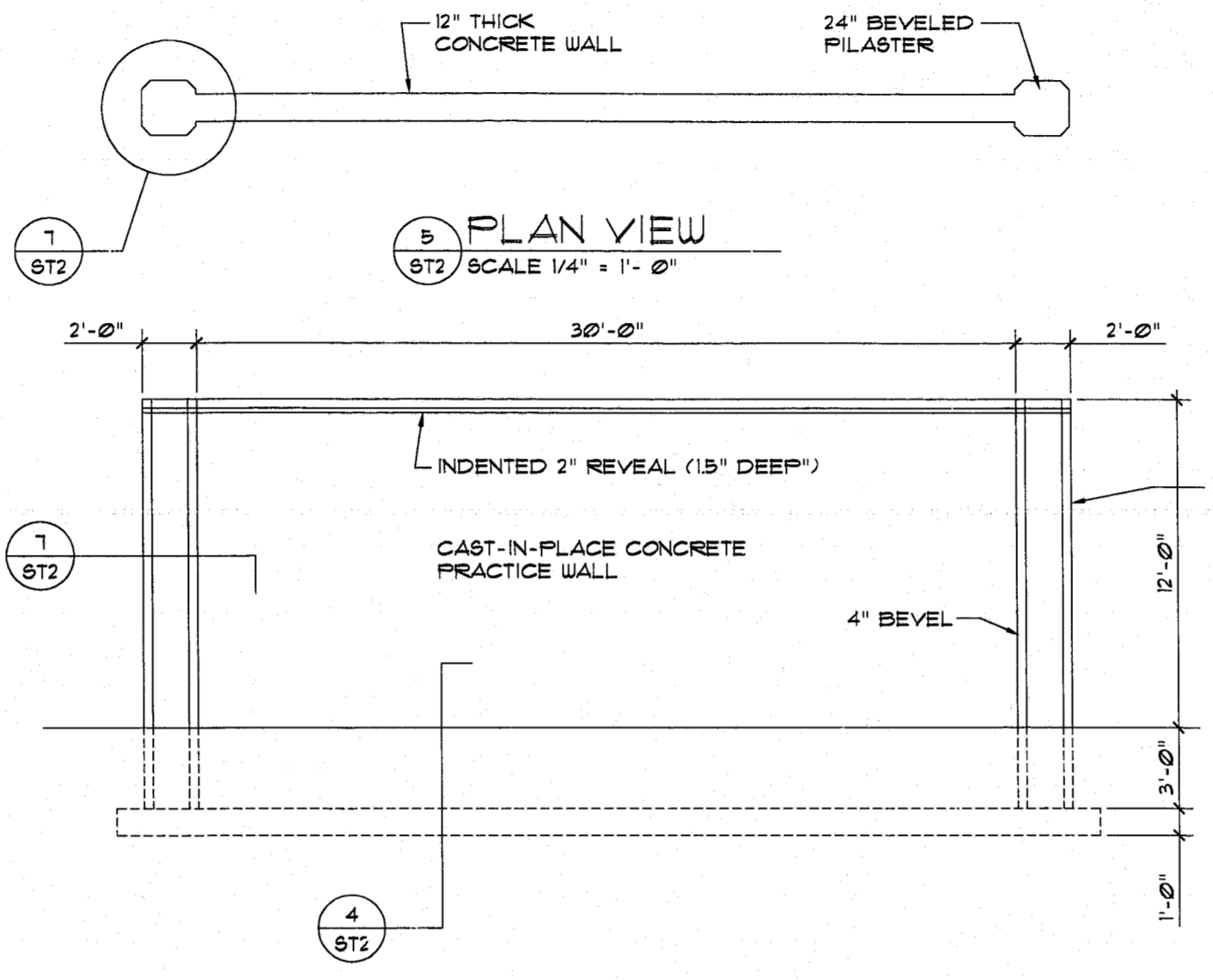
9 BLEACHER SECTION
ST2 SCALE 1 1/2" = 1'-0"



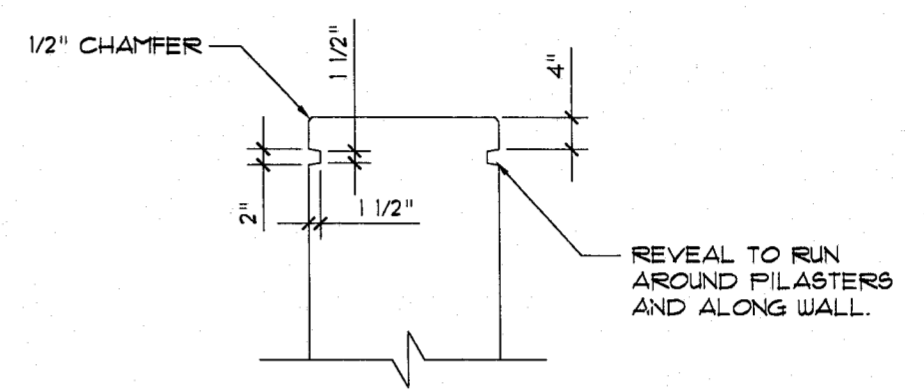
5 SECT. THRU CHEEK WALL
ST2 SCALE 3/4" = 1'-0"



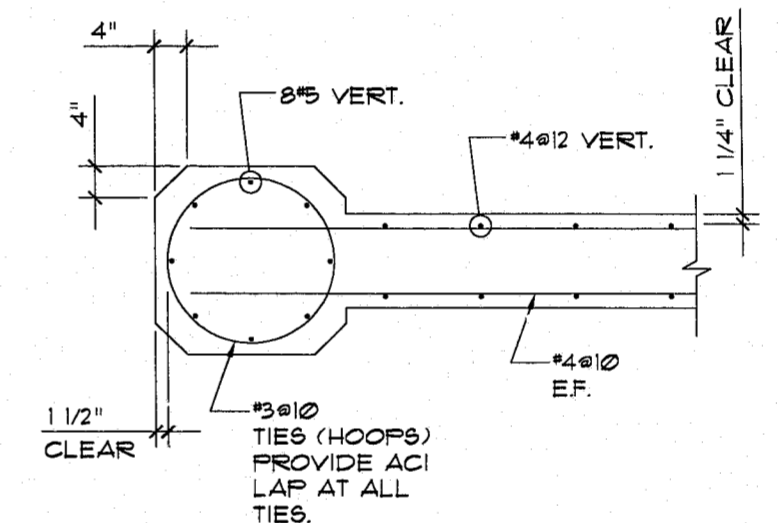
1 SECTION THRU STAIRS (TYP.)
ST2 SCALE 3/4" = 1'-0"



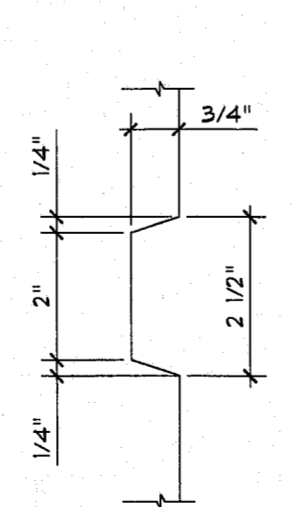
6 PRACTICE WALL ELEVATION
ST2 SCALE 1/4" = 1'-0"



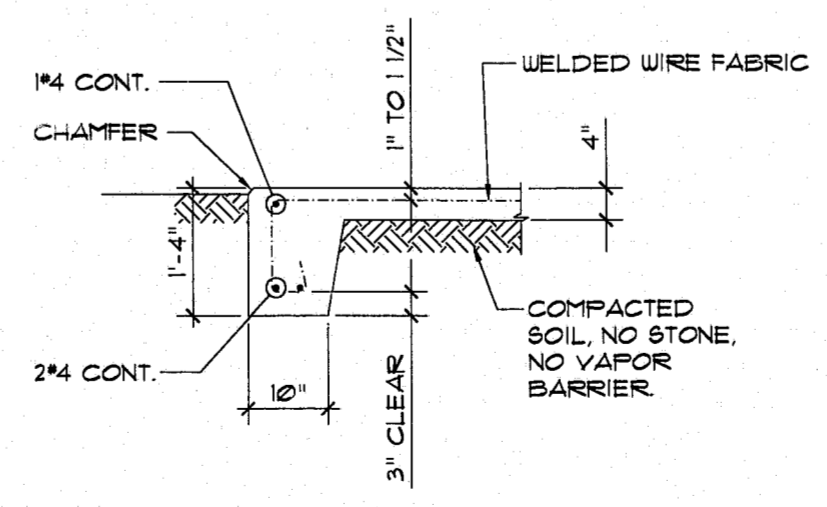
8 DETAIL
ST2 SCALE 3/4" = 1'-0"



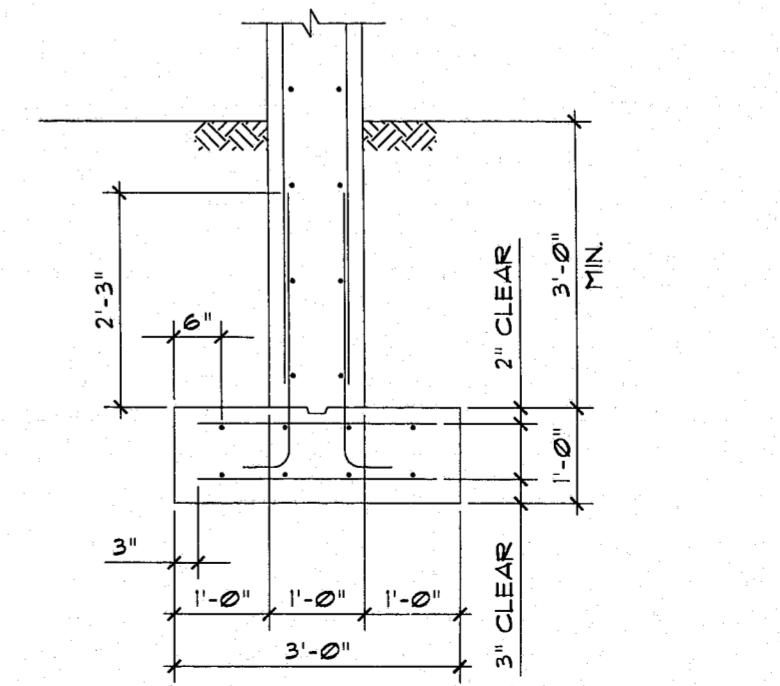
7 DETAIL @ PILASTER
ST2 SCALE 3/4" = 1'-0"



2 KEY DETAIL
ST2 SCALE 6" = 1'-0"



3 SECTION
ST2 SCALE 3/4" = 1'-0"



4 SECTION @ PRACTICE WALL
ST2 SCALE 3/4" = 1'-0"

9904/1