

**PATON / ZUCCHINO & ASSOCIATES, P.A.**  
 LANDSCAPE ARCHITECTURE/LAND PLANNING

Suite 101  
 1001 Wade Avenue  
 Raleigh, N.C. 27605  
 Bus. (919) 834-8620  
 Fax (919) 828-7068  
 www.paton-zucchino.com  
 e-mail: pza@paton-zucchino.com

- ◆ ARCHITECT:  
CLINE DAVIS ARCHITECTS  
RALEIGH, NC
- ◆ TENNIS CONSULTANT:  
TRIANGLE TENNIS CONSULTANTS, INC.  
CARY, NC
- ◆ STRUCTURAL ENGINEER:  
DCF ENGINEERING  
CARY, NC
- ◆ CIVIL ENGINEER:  
H.J. GILLECE & ASSOCIATES  
CARY, NC
- ◆ GEOTECHNICAL ENGINEER:  
ECS CONSULTANTS, INC.  
CARY, NC
- ◆ ELECTRICAL ENGINEER:  
TRIANGLE ENGINEERING ASSOCIATES  
RALEIGH, NC
- OWNER:  
TOWN OF CARY  
CARY, NC

● PROJECT:  
CARY TENNIS CENTER

● SHEET TITLE:  
MISCELLANEOUS DETAILS

● Issue Date:

● Revision:

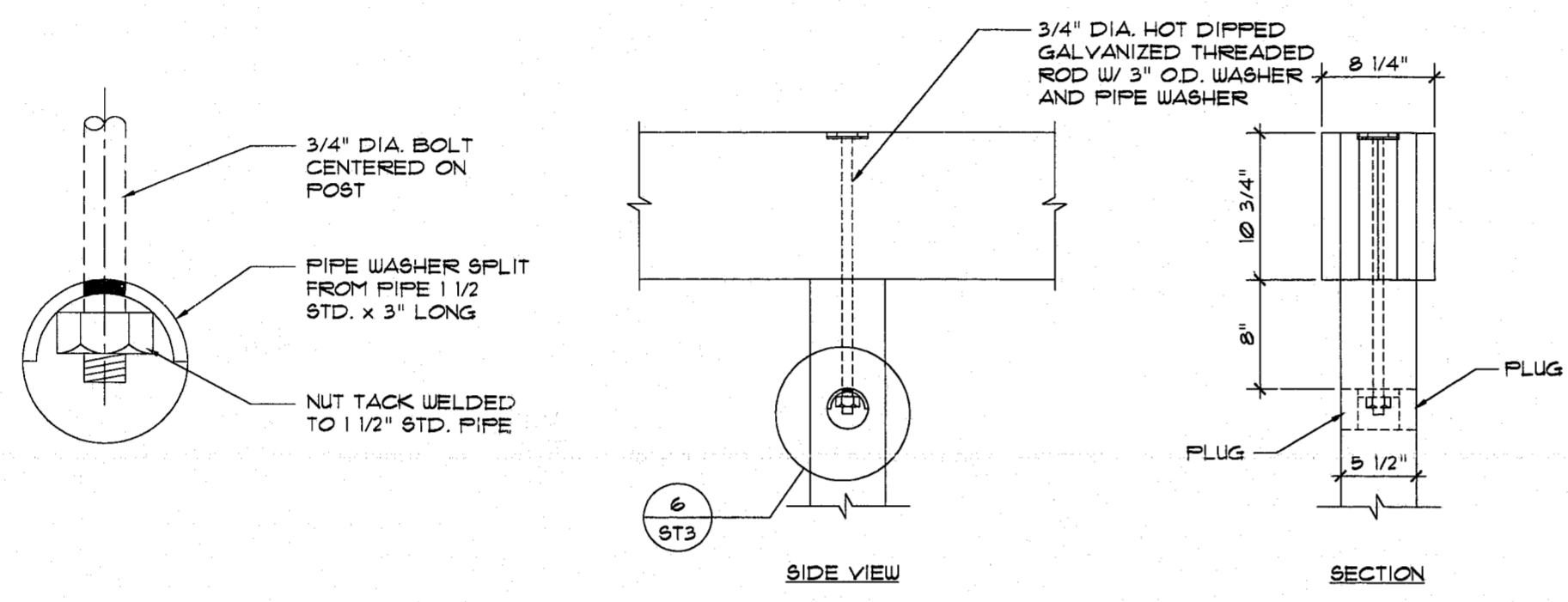
DC-SIP-218-A  
**APPROVED\***  
 DS 2/28/01  
 TM 2-2-01

\* HANDBILL ELEVATION ONLY - NO STRUCTURAL

● Project Number:

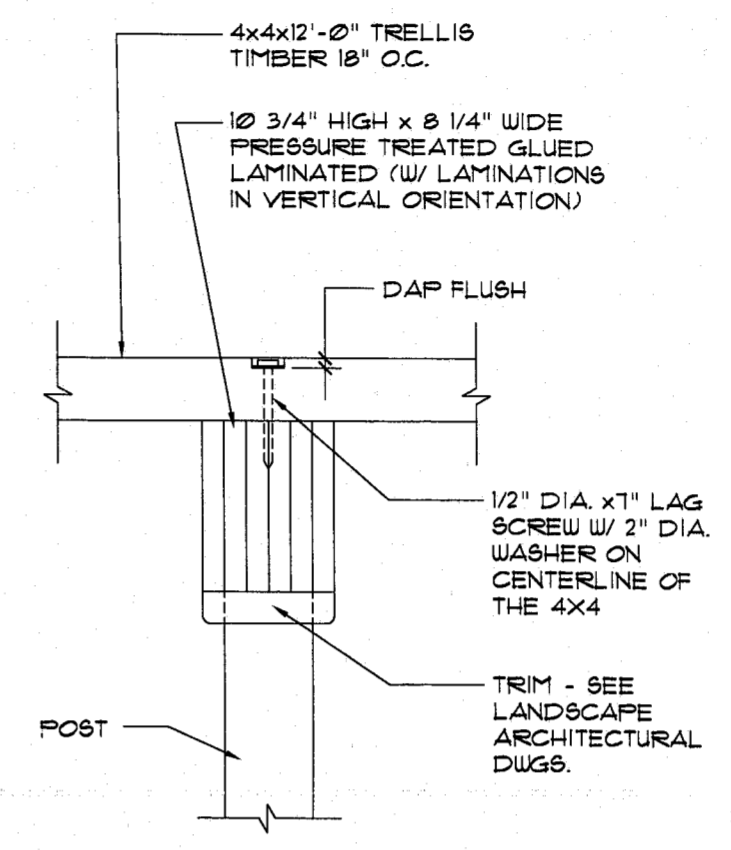
● Sheet Number:

**ST3**

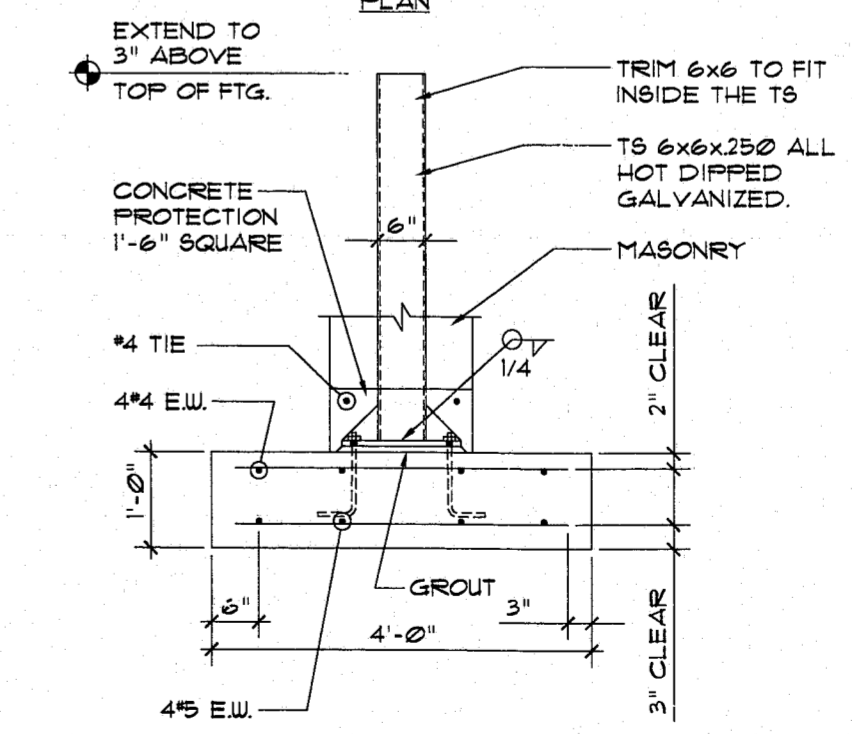
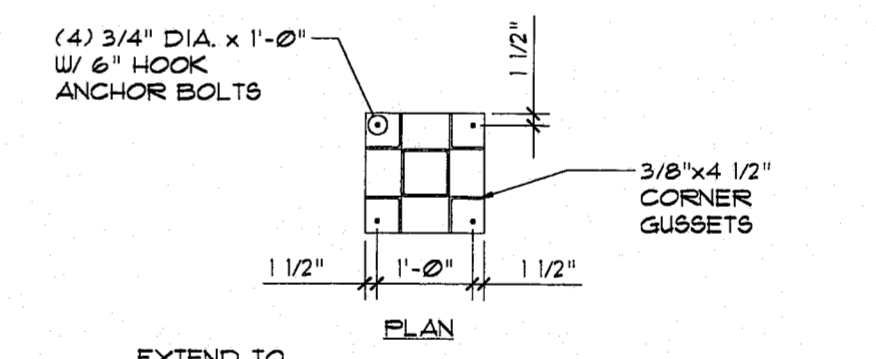


6 DETAIL  
 ST3 SCALE 6" = 1'-0"

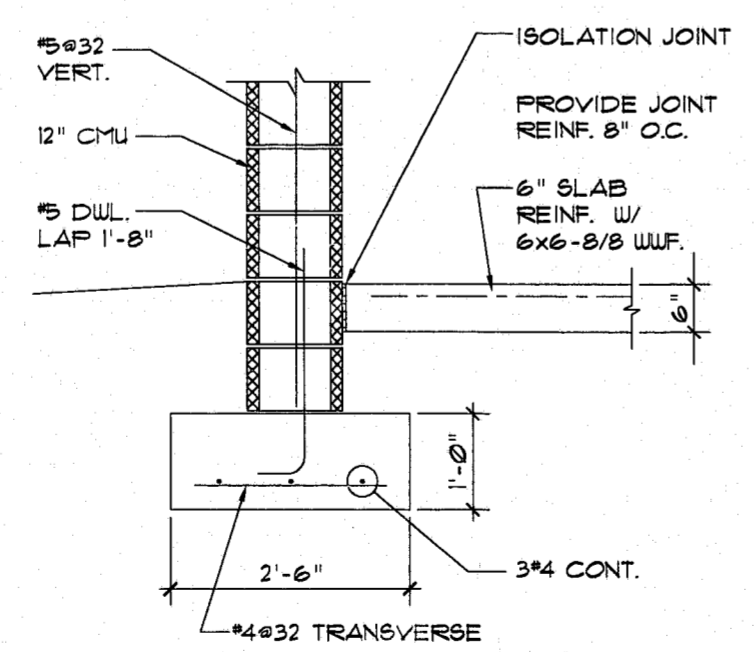
5 TRELLIS CONNECTION  
 ST3 SCALE 1 1/2" = 1'-0"



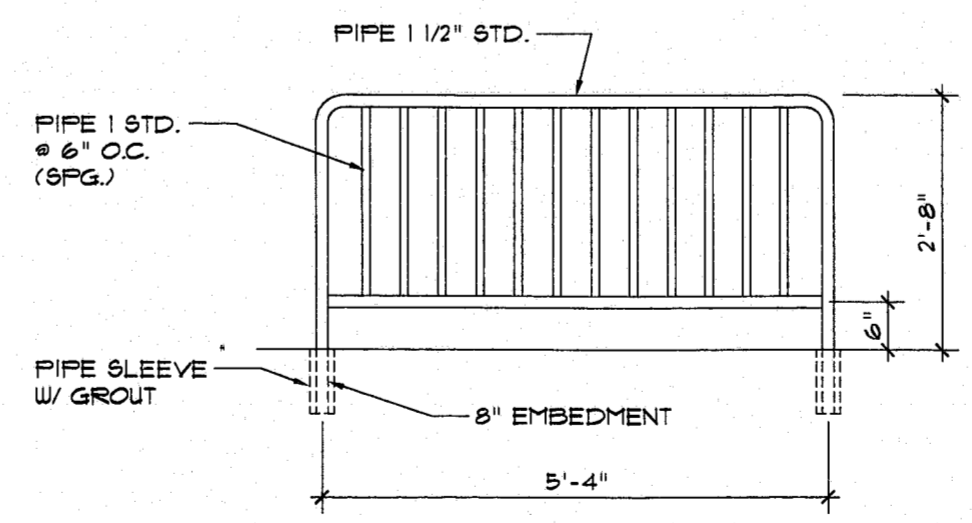
4 DETAIL @ BEAM  
 ST3 SCALE 1 1/2" = 1'-0"



1 FTG. @ TRELLIS  
 ST3 SCALE 3/4" = 1'-0"



3 DUMPSTER FTG.  
 ST3 SCALE 3/4" = 1'-0"



2 HANDRAIL DETAIL  
 ST3 SCALE 3/4" = 1'-0"