

**PATON / ZUCCHINO & ASSOCIATES, P.A.**  
LANDSCAPE ARCHITECTURE/URBAN PLANNING

Suite 101  
1001 Wade Avenue  
Raleigh, N.C. 27605  
Bus. (919) 834-8620  
Fax (919) 828-7068  
www.paton-zucchino.com  
e-mail: pza@paton-zucchino.com

- ◆ ARCHITECT:  
CLINE DAVIS ARCHITECTS  
RALEIGH, NC
- ◆ TENNIS CONSULTANT:  
TRIANGLE TENNIS CONSULTANTS, INC.  
CARY, NC
- ◆ STRUCTURAL ENGINEER:  
DCF ENGINEERING  
CARY, NC
- ◆ CIVIL ENGINEER:  
H.J. GILLECE & ASSOCIATES  
CARY, NC
- ◆ GEOTECHNICAL ENGINEER:  
ECS CONSULTANTS, INC.  
CARY, NC
- ◆ ELECTRICAL ENGINEER:  
TRIANGLE ENGINEERING ASSOCIATES  
RALEIGH, NC
- OWNER:  
TOWN OF CARY  
CARY, NC

● PROJECT:  
CARY TENNIS CENTER

● SHEET TITLE:  
BLEACHERS PLAN

● Issue Date:

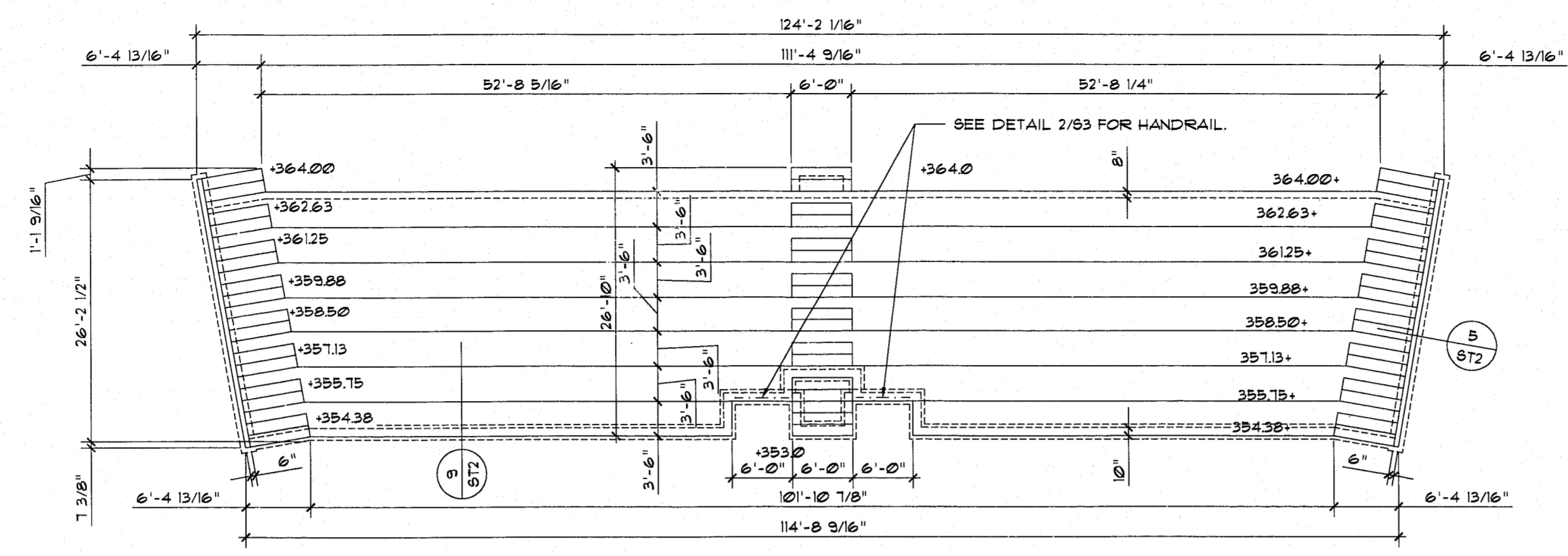
● Revision:

DO-SP018-A  
**APPROVED\***  
BD 2/28/01  
TM 3-2-01

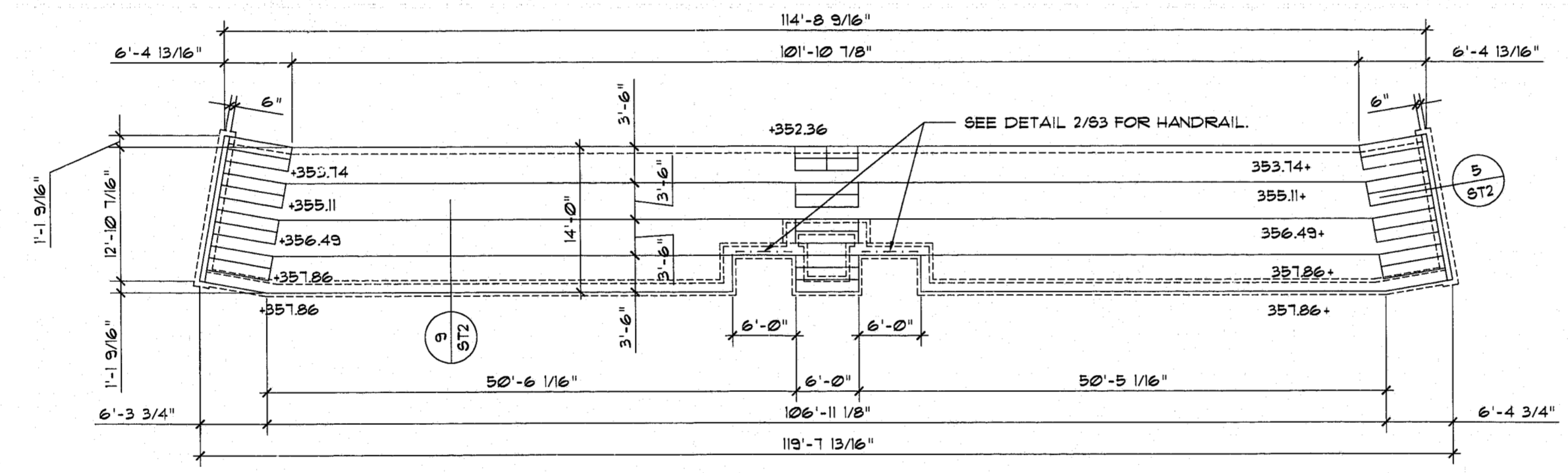
\*MUST ALSO BE APPLIED BY INSPECTIONS & PERMITS DEPT.  
● Project Number:

● Sheet Number:

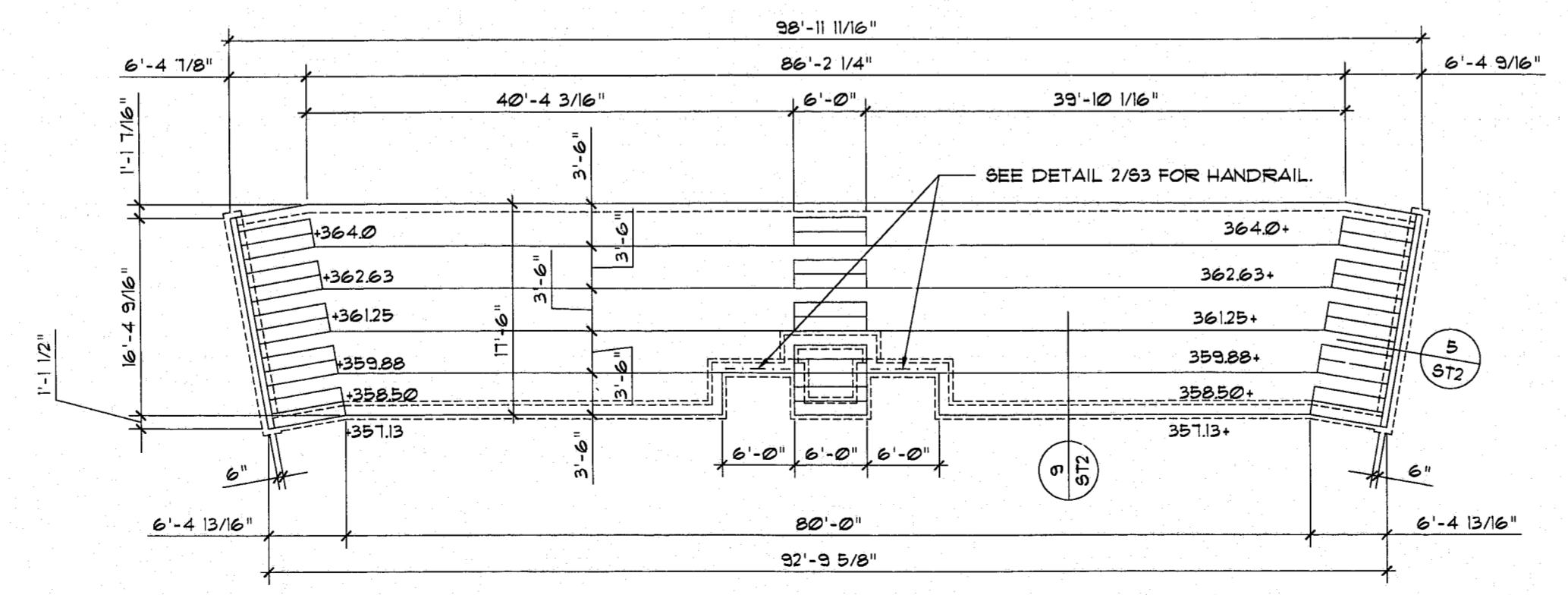
**ST4**



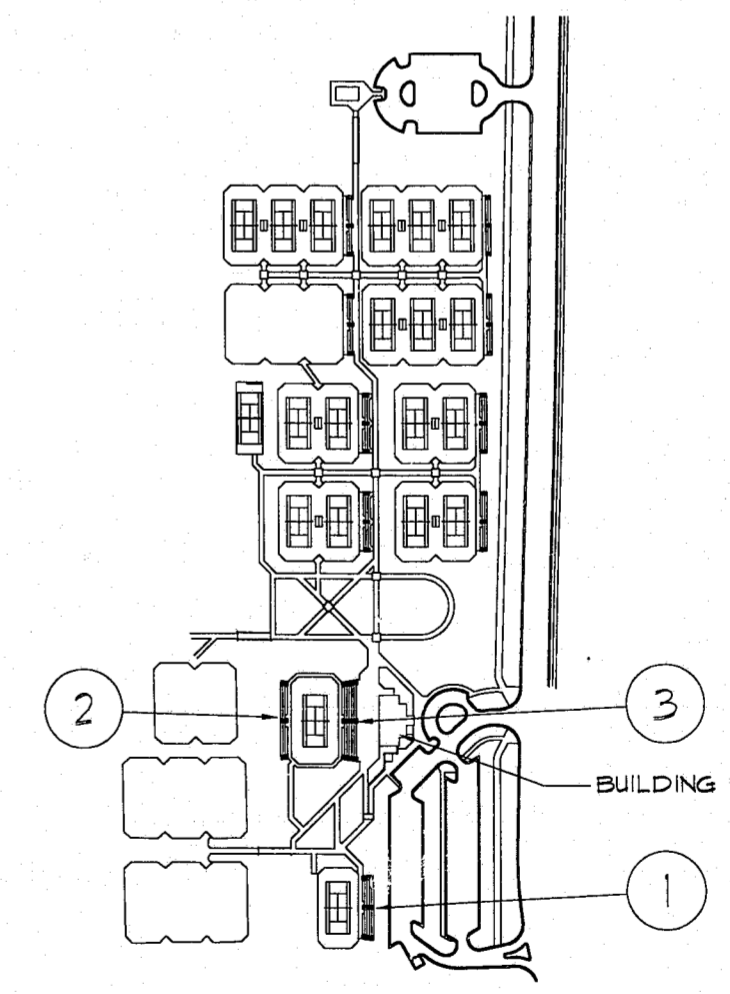
3 PLAN @ BLEACHERS (3)  
ST4 SCALE 1/8" = 1'-0"



2 PLAN @ BLEACHERS (2)  
ST4 SCALE 1/8" = 1'-0"



1 PLAN @ BLEACHERS (1)  
ST4 SCALE 1/8" = 1'-0"



4 KEY PLAN  
ST4 NOT TO SCALE

9904T