

2/21/01
DCF Engineering, Inc.
 PO Box 879 • 109 Bandy Ct. • Cary, NC 27512-0879

PATON / ZUCCHINO & ASSOCIATES, P.A.
 LANDSCAPE ARCHITECTURE/LAND PLANNING

Suite 101
 1001 Wade Avenue
 Raleigh, N.C. 27605
 Bus. (919) 834-8620
 Fax (919) 828-7068
 www.paton-zucchino.com
 e-mail: pza@paton-zucchino.com

- ◆ ARCHITECT:
CLINE DAVIS ARCHITECTS
RALEIGH, NC
- ◆ TENNIS CONSULTANT:
TRIANGLE TENNIS CONSULTANTS, INC.
CARY, NC
- ◆ STRUCTURAL ENGINEER:
DCF ENGINEERING
CARY, NC
- ◆ CIVIL ENGINEER:
H.J. GILLECE & ASSOCIATES
CARY, NC
- ◆ GEOTECHNICAL ENGINEER:
ECS CONSULTANTS, INC.
CARY, NC
- ◆ ELECTRICAL ENGINEER:
TRIANGLE ENGINEERING ASSOCIATES
RALEIGH, NC
- OWNER:
TOWN OF CARY
CARY, NC

● PROJECT:
CARY TENNIS CENTER

● SHEET TITLE:
BLEACHERS PLAN

● Issue Date:

● Revision:

00-SP-018-A
APPROVED
 ST5
 2/23/01
 5-2-01
 TH

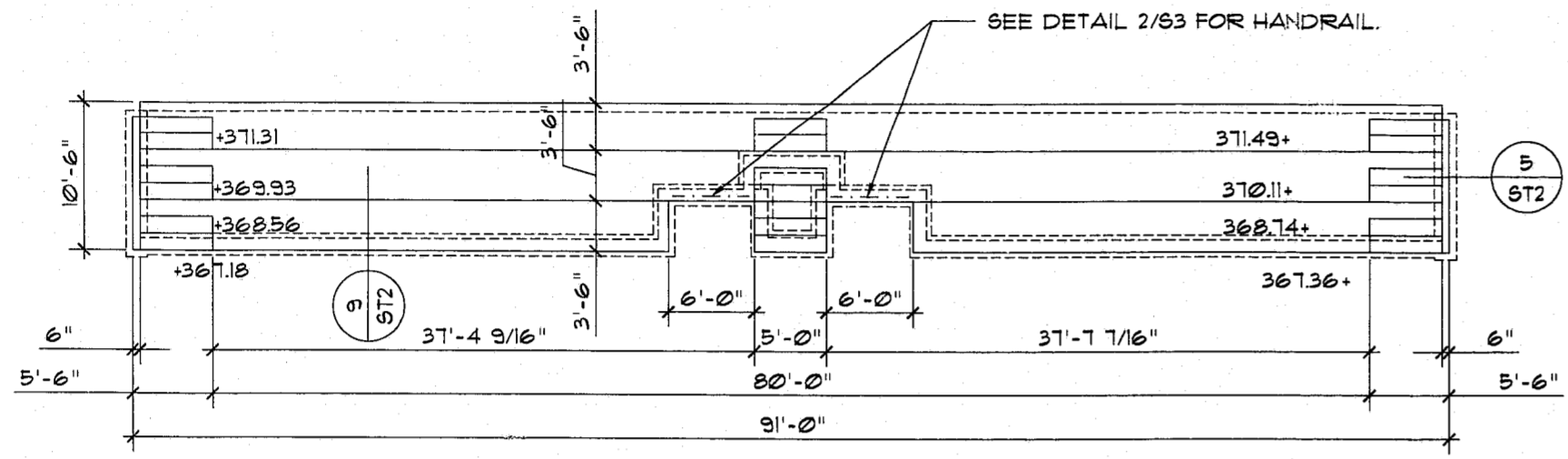
*MUST ALSO BE APPLIED BY INSPECTIONS & PERMITS DEPT.

● Project Number:

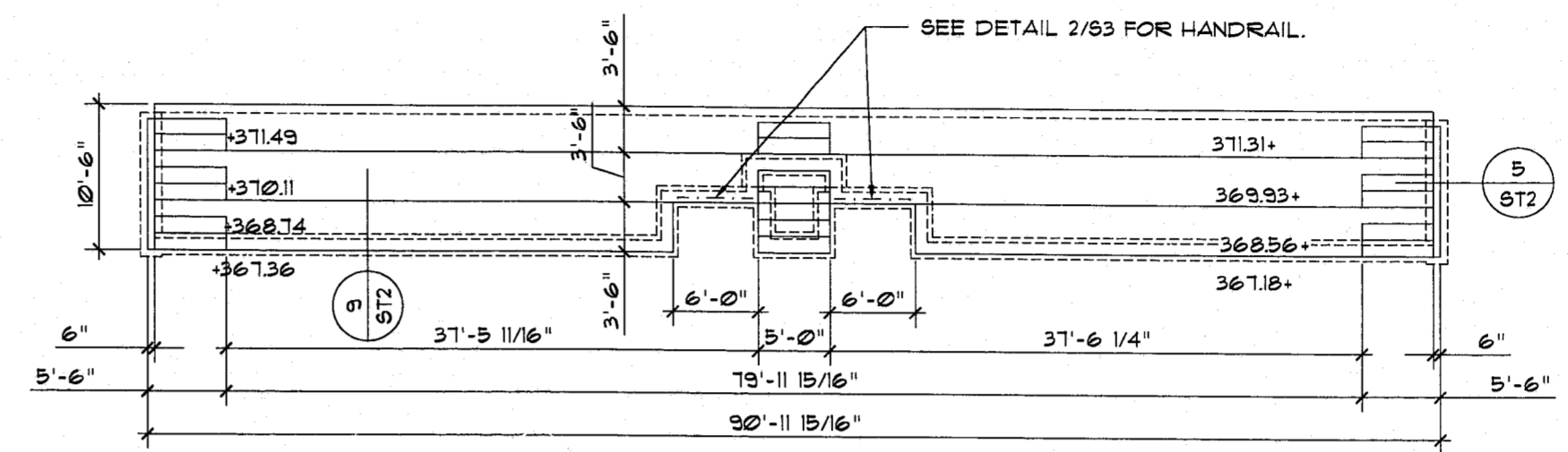
● Sheet Number:

ST5

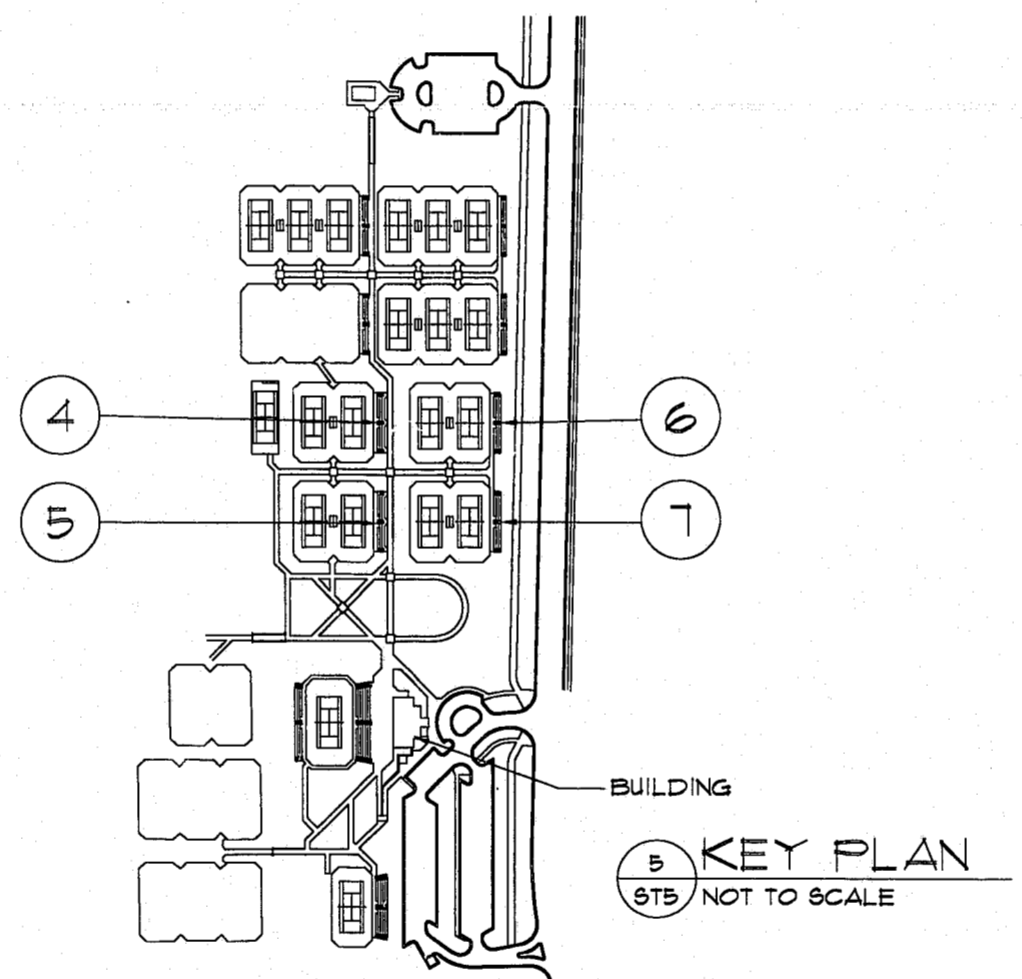
99041



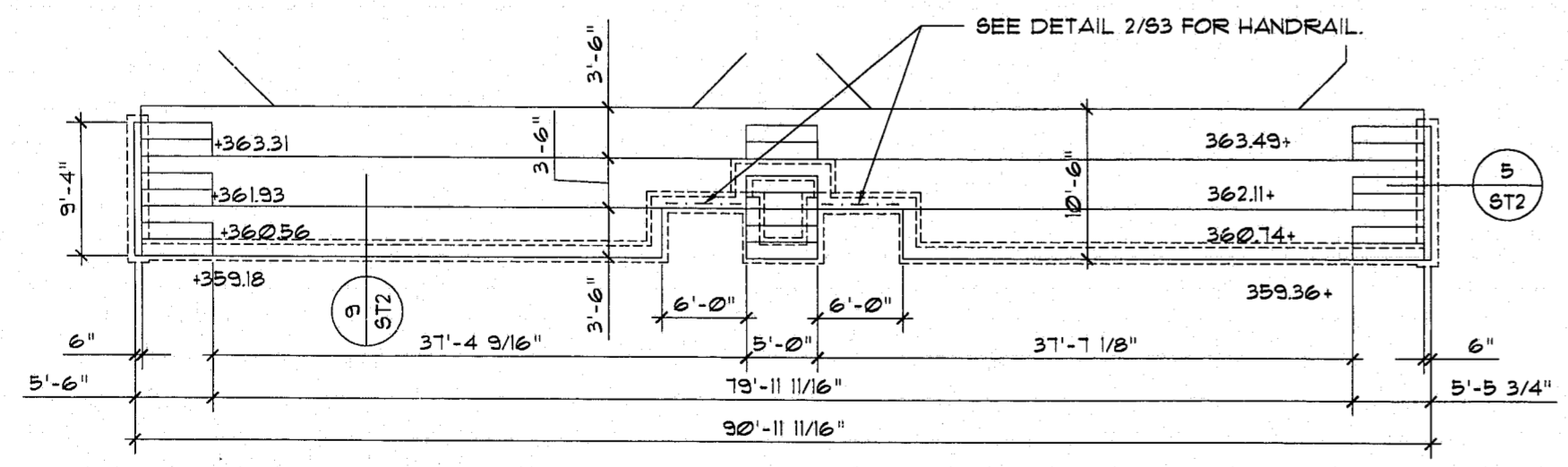
3 PLAN @ BLEACHERS (6)
 ST5 SCALE 1/8" = 1'-0"



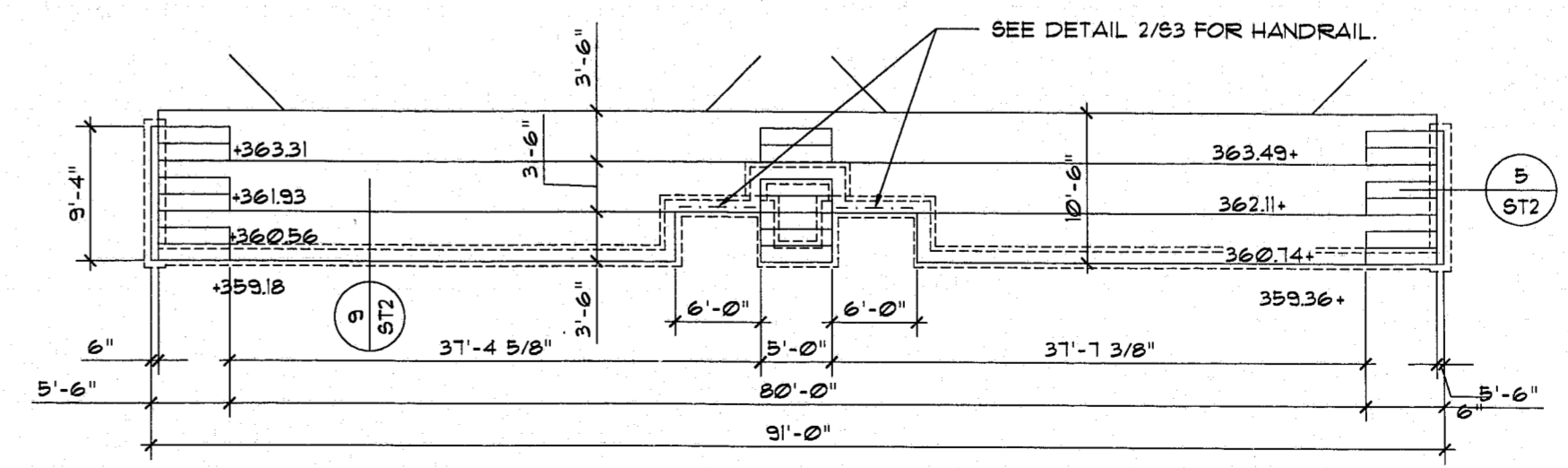
4 PLAN @ BLEACHERS (7)
 ST5 SCALE 1/8" = 1'-0"



5 KEY PLAN
 ST5 NOT TO SCALE



1 PLAN @ BLEACHERS (4)
 ST5 SCALE 1/8" = 1'-0"



2 PLAN @ BLEACHERS (5)
 ST5 SCALE 1/8" = 1'-0"