

PATON / ZUCCHINO & ASSOCIATES, P.A.
LANDSCAPE ARCHITECTURE/LAND PLANNING

Suite 101
1001 Wade Avenue
Raleigh, N.C. 27605
Bus: (919) 834-8620
Fax: (919) 828-7068
www.paton-zucchino.com
e-mail: pza@paton-zucchino.com

- ◆ ARCHITECT:
CLINE DAVIS ARCHITECTS
RALEIGH, NC
- ◆ TENNIS CONSULTANT:
TRIANGLE TENNIS CONSULTANTS, INC.
CARY, NC
- ◆ STRUCTURAL ENGINEER:
DCF ENGINEERING
CARY, NC
- ◆ CIVIL ENGINEER:
H.I. GILLECE & ASSOCIATES
CARY, NC
- ◆ GEOTECHNICAL ENGINEER:
ECS CONSULTANTS, INC.
CARY, NC
- ◆ ELECTRICAL ENGINEER:
TRIANGLE ENGINEERING ASSOCIATES
RALEIGH, NC
- OWNER:
TOWN OF CARY
CARY, NC

● PROJECT:
CARY TENNIS CENTER

● SHEET TITLE:
BLEACHERS PLAN

● Issue Date:

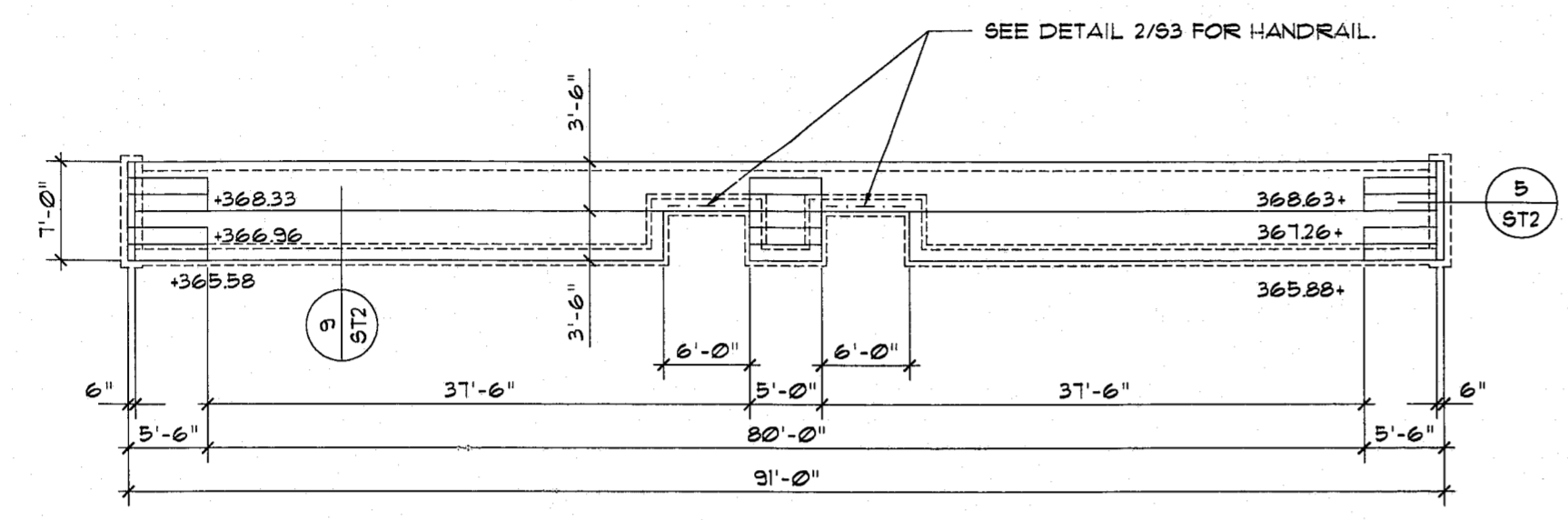
● Revision:

00-SP-018-A
APPROVED
BY 2/25/01
TM 2-2-01
* MUST ALSO BE APPROVED BY INSPECTIONS & PERMITS DEPT.

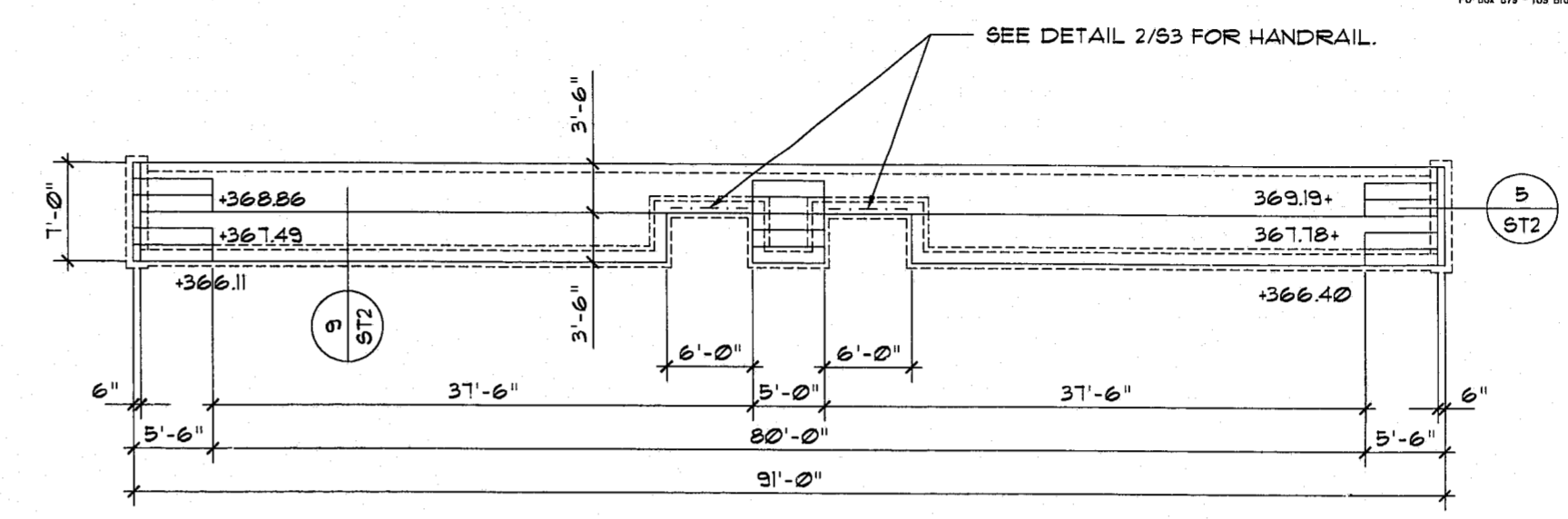
● Project Number:

● Sheet Number:

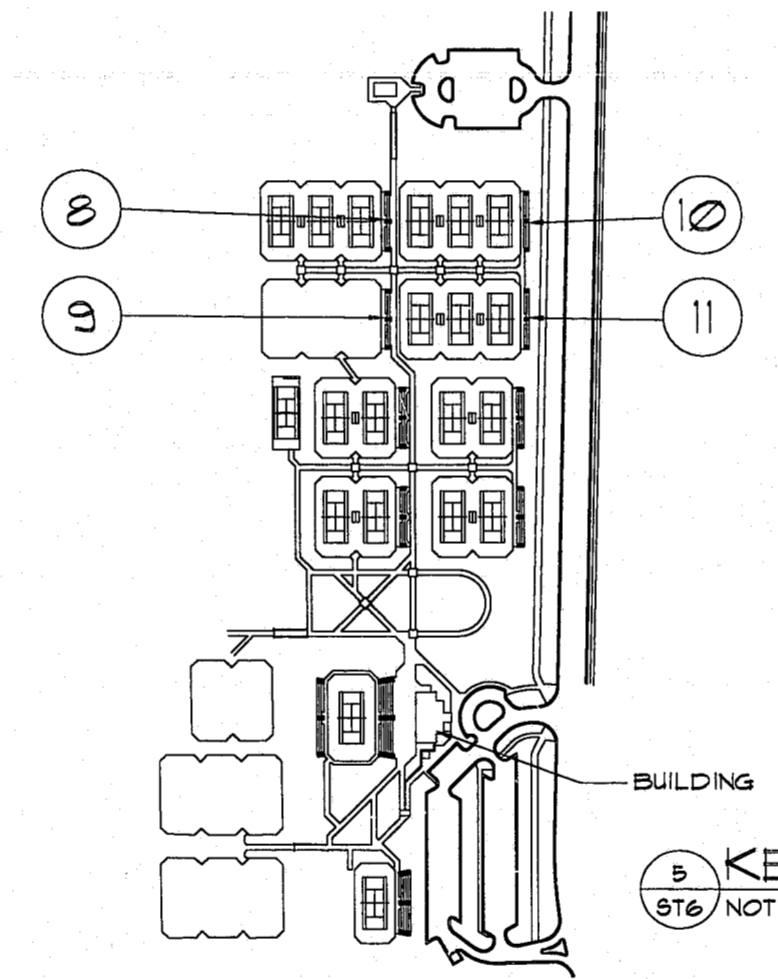
ST6



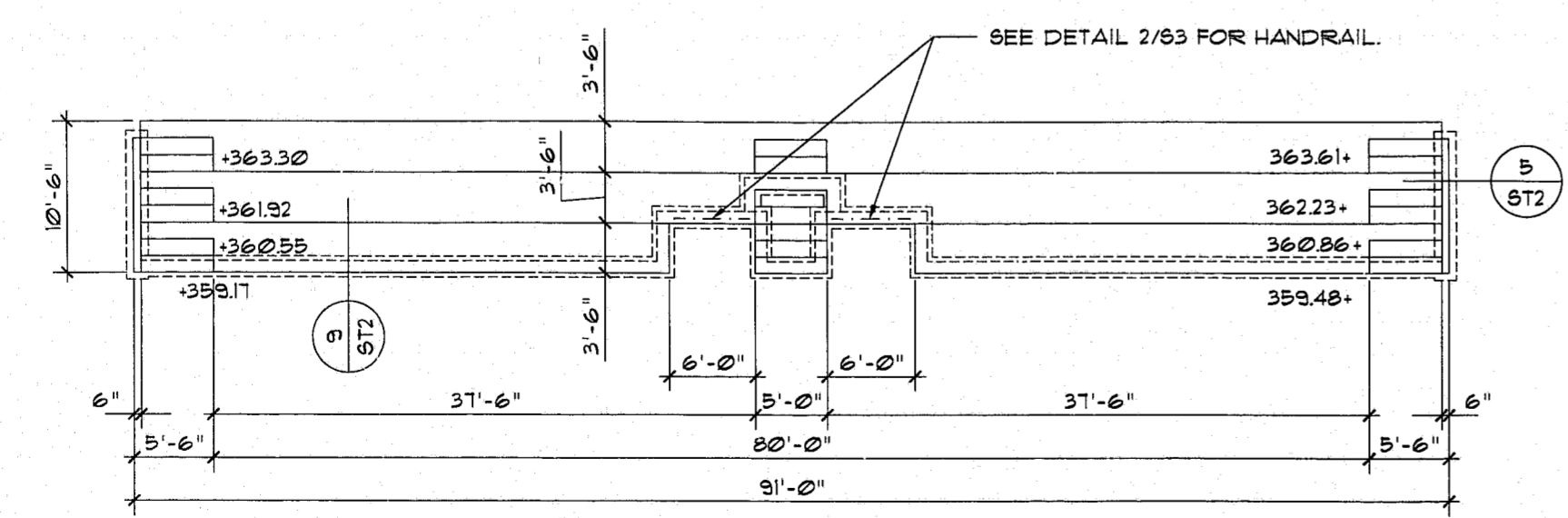
3 PLAN @ BLEACHERS (10)
ST6 SCALE 1/8" = 1'-0"



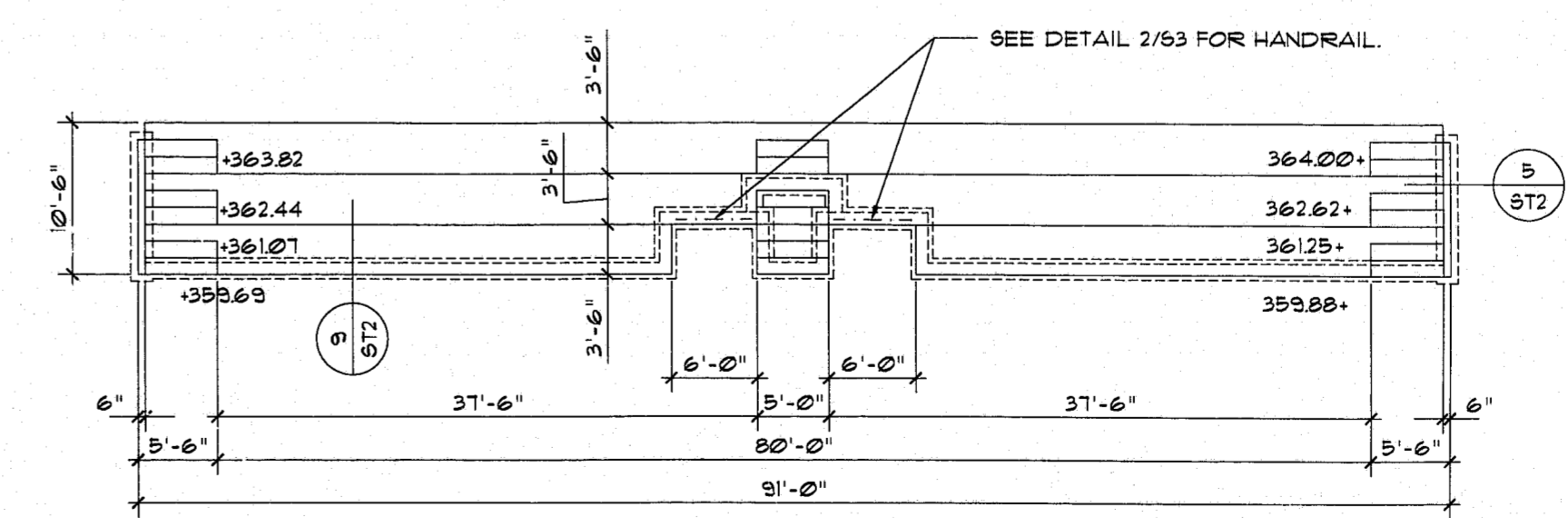
4 PLAN @ BLEACHERS (11)
ST6 SCALE 1/8" = 1'-0"



5 KEY PLAN
ST6 NOT TO SCALE



3 PLAN @ BLEACHERS (8)
ST6 SCALE 1/8" = 1'-0"



4 PLAN @ BLEACHERS (9)
ST6 SCALE 1/8" = 1'-0"