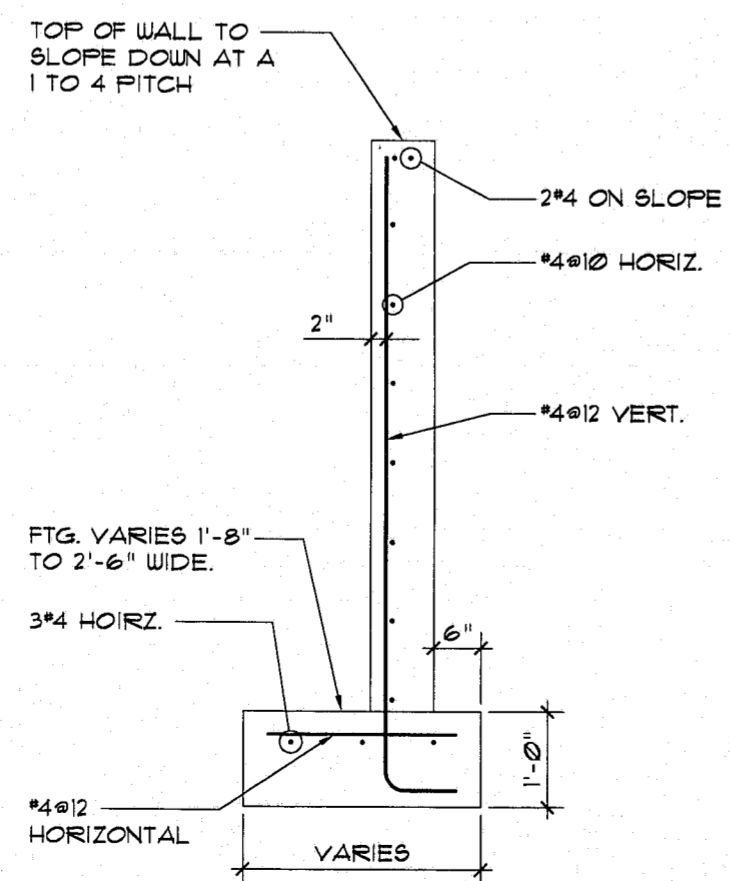
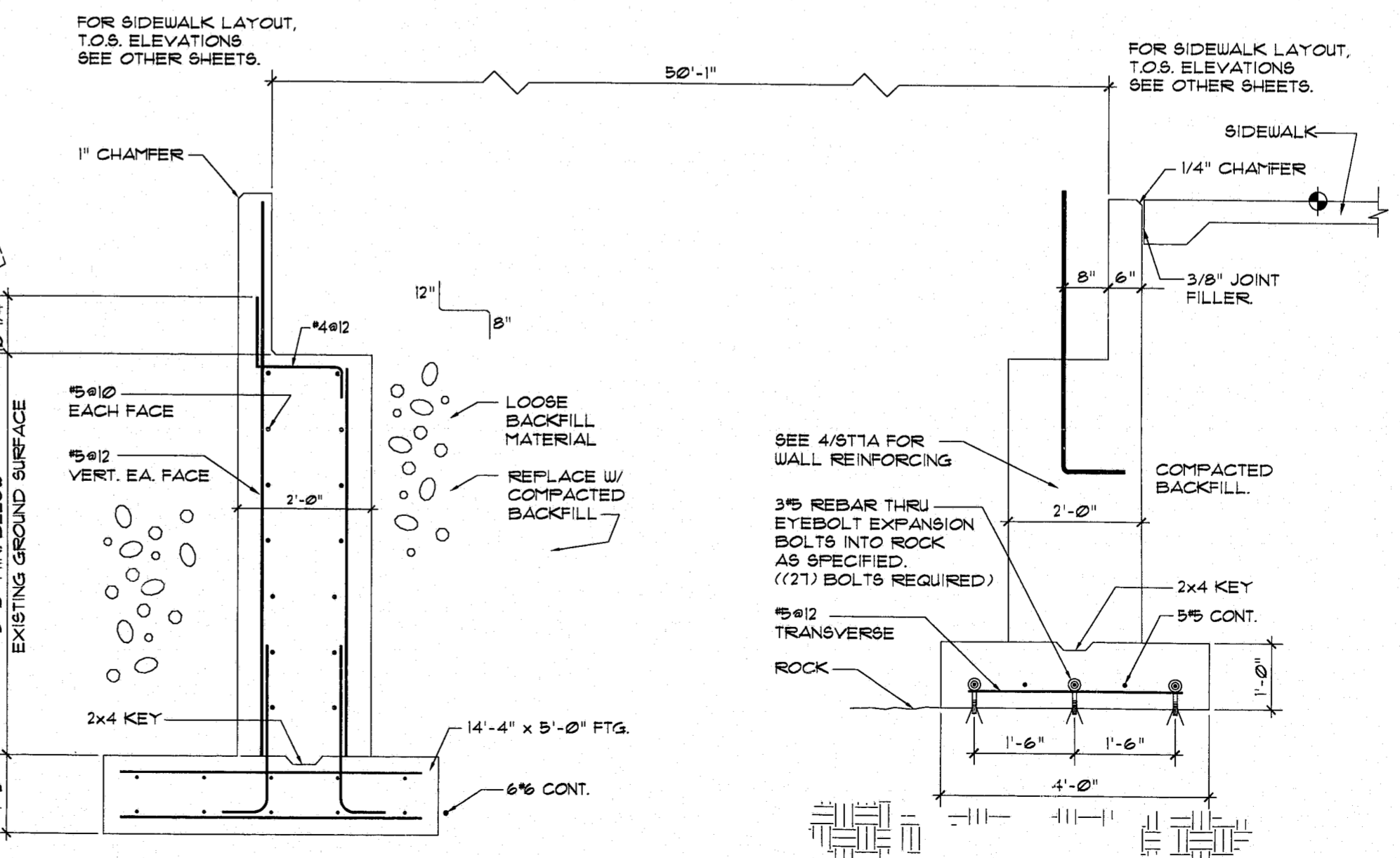


1 PLAN AT FOUNDATION
ST7A NTS



4 WING WALL SECTION
ST7A SCALE: 3/4" = 1'-0"

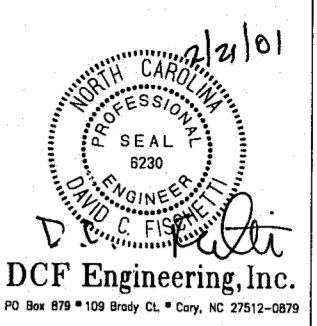


2 BASE BID FOOTING DETAIL
ST7A SCALE: 3/4" = 1'-0"

3 FOOTING ON ROCK
ST7A SCALE: 3/4" = 1'-0"

- GENERAL NOTES**
- A. LIVE LOADS**
- 1. LIVE LOAD 100 PSF
 - 2. WIND LOAD 80 MPH
- CODE: 1988 EDITION NORTH CAROLINA STATE BUILDING CODE
- COMPLY WITH AASHTO REQUIREMENTS FOR PEDESTRIAN BRIDGES.
- B. FOUNDATIONS**
- 1. THE ASSUMED SOIL BEARING PRESSURE USED FOR DESIGN IS 2000 PSF.
 - 2. ALL FILL SHALL BE PLACED IN AN 8 INCH MAXIMUM LOOSE LIFTS AND SHALL BE COMPACTED TO A MINIMUM OF 95 PER CENT MAXIMUM DRY DENSITY AS DETERMINED IN ACCORDANCE WITH ASTM D-698 (STANDARD PROCTOR METHOD).
 - 3. THE ABUTMENT DETAILS ARE FURNISHED IN THE DRAWINGS. THE DEPTH OF EMBEDMENT AND TYPE OF FOOTING MAY VARY DEPENDING ON THE RESULTS OF AN ON SITE EXPLORATION.
 - 4. IF ROCK IS ENCOUNTERED, USE THE FOOTING ON ROCK DETAIL. IF SOFT RESIDUAL SILTS ARE ENCOUNTERED, USE THE ALTERNATE FOOTING DETAIL. FILTER FABRIC AND STONE MAY NOT BE REQUIRED DEPENDING ON CONDITIONS ENCOUNTERED. ADJUST REINFORCING ACCORDINGLY DEPENDING ON THE FINAL ABUTMENT GEOMETRY.
 - 5. NOTIFY PATON/ZUCCHINO PROJECT MANAGER 24 HOURS PRIOR TO EXCAVATION OF FOOTINGS.
- C. CAST-IN-PLACE CONCRETE**
- 1. CONCRETE WORK SHALL CONFORM TO ACI SPECIFICATIONS.
 - 2. ALL CAST-IN-PLACE CONCRETE 28-DAY COMPRESSIVE STRENGTH SHALL BE 3500 PSI IN ACCORDANCE WITH ACI 318.
- D. REINFORCING STEEL**
- 1. ALL REINFORCING STEEL SHALL BE ASTM A-615, GRADE 60.
 - 2. PLACEMENT OF THE REINFORCING STEEL SHALL BE REVIEWED BY THE STRUCTURAL ENGINEER PRIOR TO PLACING CONCRETE. DETAIL AND FABRICATE REINFORCING STEEL IN ACCORDANCE WITH ACI-318. REINFORCING STEEL SHALL BE PLACED IN ACCORDANCE WITH THE PROJECT DOCUMENTS.
 - 3. FABRICATE IN ACCORDANCE WITH APPROVED SHOP DRAWINGS.
 - 4. DO NOT HEAT BEND REINFORCING BARS.

- MISCELLANEOUS**
- F. 1. THE STRUCTURAL DRAWINGS SHALL BE USED IN CONJUNCTION WITH AND COORDINATED WITH OTHER CONTRACT DRAWINGS AND SPECIFICATIONS.
 - 2. THE CONTRACTOR SHALL VERIFY ALL EXISTING SITE CONDITIONS INDICATED ON THESE DRAWINGS. ANY VARIATION OF CONDITIONS SHALL BE BROUGHT TO THE ATTENTION OF THE TOWN OF CARY PROJECT MANAGER BEFORE PROCEEDING WITH CONSTRUCTION.
 - 3. FABRICATOR'S SHOP DRAWINGS SHALL SHOW AND NOTE ALL ALL MATERIAL REQUIRED IN SUFFICIENT DETAIL FOR PROPER FABRICATION AND ERECTION IN ACCORDANCE WITH THE CONTRACT DRAWINGS AND DOCUMENTS.
 - 4. ANCHOR BOLTS SHALL BE SET IN ACCORDANCE WITH THE APPROVED SHOP DRAWING ANCHOR BOLT SETTING PLAN.



DCF Engineering, Inc.
PO Box 879 * 109 Brady CL * Cary, NC 27512-0879

PATON / ZUCCHINO & ASSOCIATES, P.A.
LANDSCAPE ARCHITECTURE/LAND PLANNING

Suite 101
1001 Wade Avenue
Raleigh, N.C. 27605
Bus. (919) 834-8620
Fax (919) 828-7068
www.paton-zucchino.com
e-mail: pza@paton-zucchino.com

- ◆ ARCHITECT:
CLINE DAVIS ARCHITECTS
RALEIGH, NC
- ◆ TENNIS CONSULTANT:
TRIANGLE TENNIS CONSULTANTS, INC.
CARY, NC
- ◆ STRUCTURAL ENGINEER:
DCF ENGINEERING
CARY, NC
- ◆ CIVIL ENGINEER:
H.J. GILLECE & ASSOCIATES
CARY, NC
- ◆ GEOTECHNICAL ENGINEER:
ECS CONSULTANTS, INC.
CARY, NC
- ◆ ELECTRICAL ENGINEER:
TRIANGLE ENGINEERING ASSOCIATES
RALEIGH, NC
- ◆ OWNER:
TOWN OF CARY
CARY, NC

◆ PROJECT:
CARY TENNIS CENTER

◆ SHEET TITLE:
PEDESTRIAN BRIDGE
Design Development
Drawings

◆ Issue Date:

◆ Revision:

00-SP-016-A
APPROVED
BIB 2/28/01

* MUST BE APP'D BY INSPECTIONS + PERMITS DEPT.

◆ Project Number:

◆ Sheet Number:

ST7A

99047