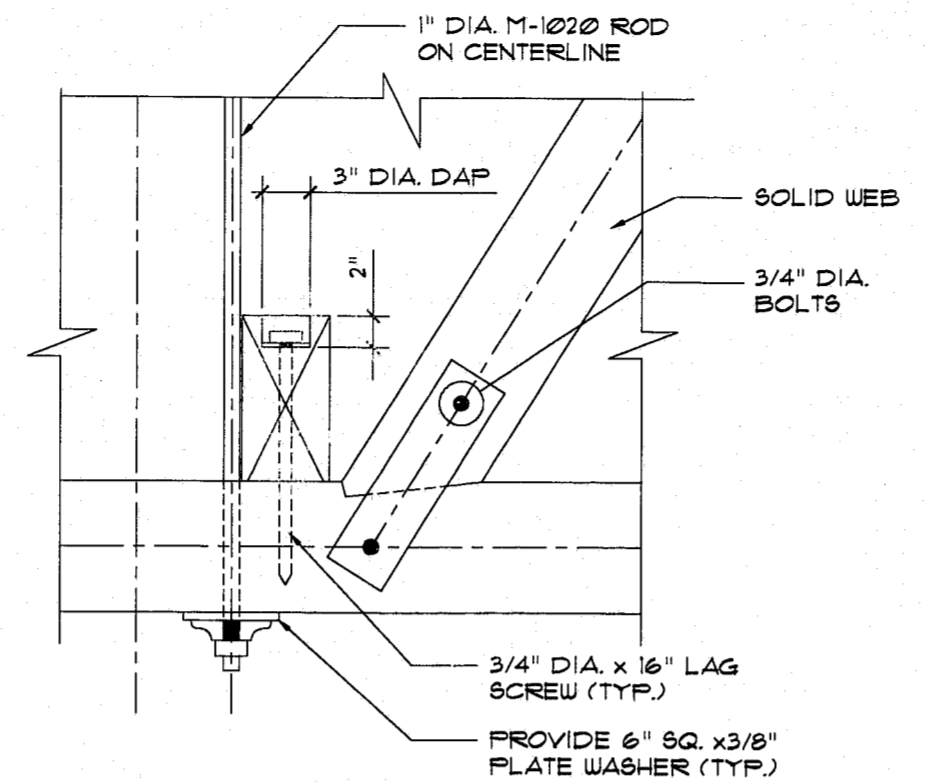
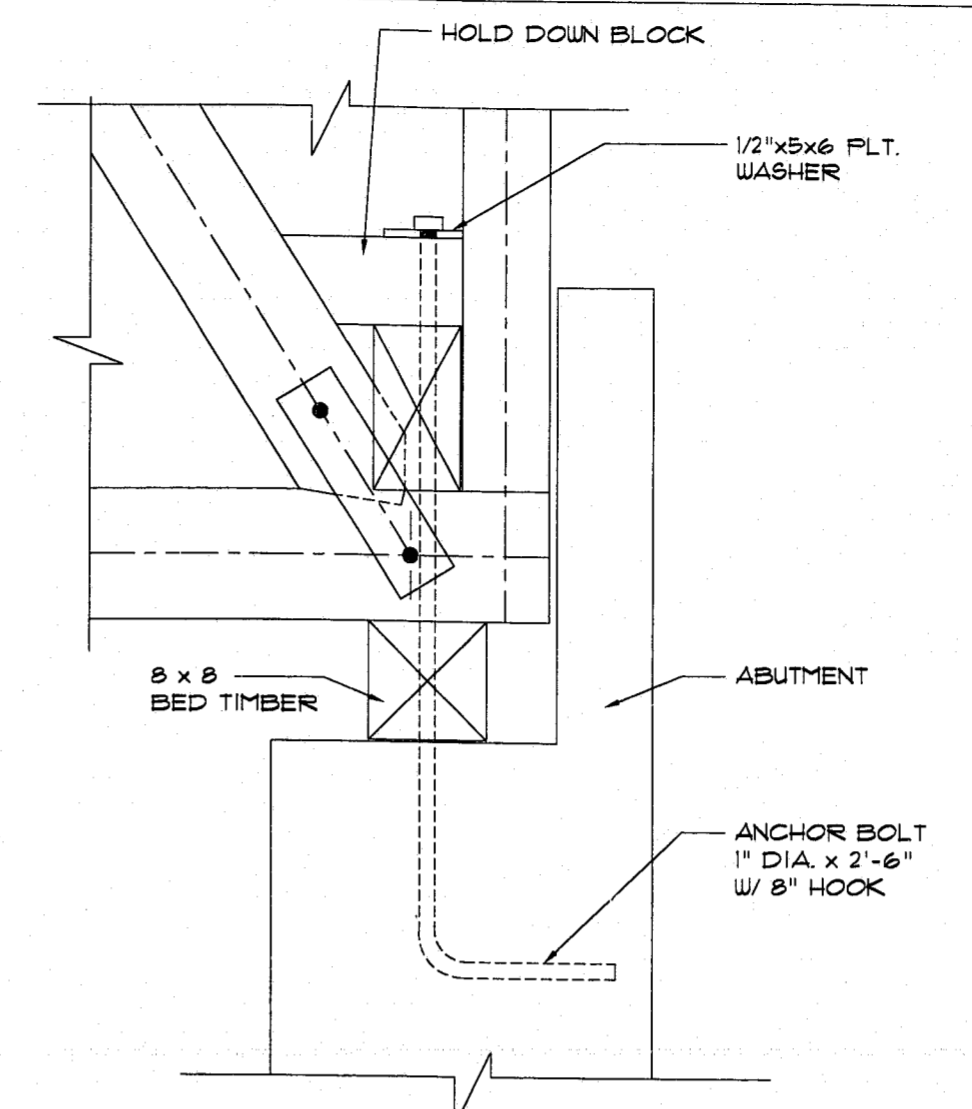


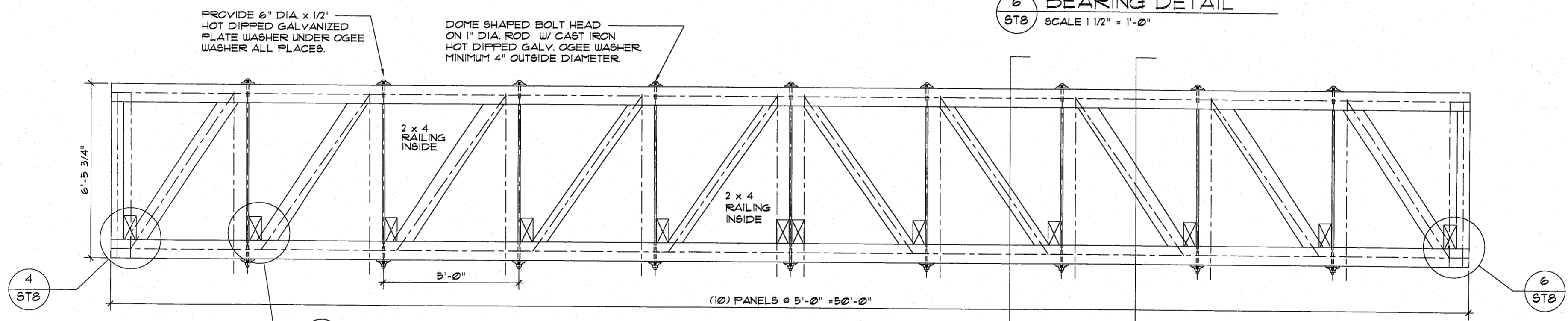
4 END BRACE DETAIL
STB SCALE 1 1/2" = 1'-0"



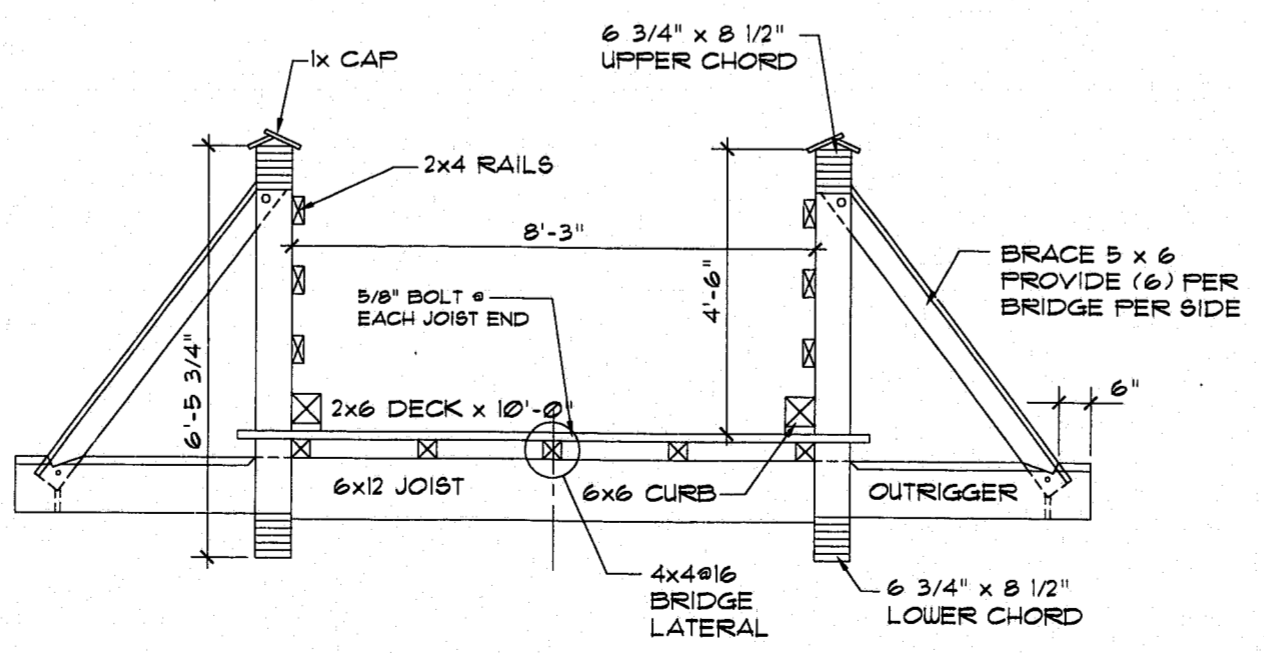
5 BRACE DETAIL
STB SCALE 1 1/2" = 1'-0"



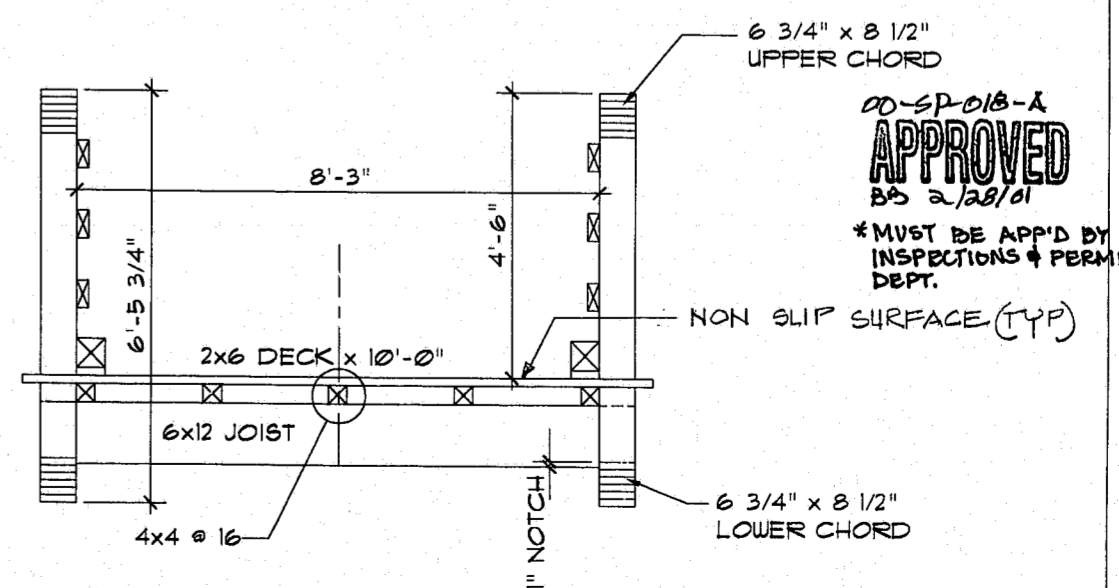
6 BEARING DETAIL
STB SCALE 1 1/2" = 1'-0"



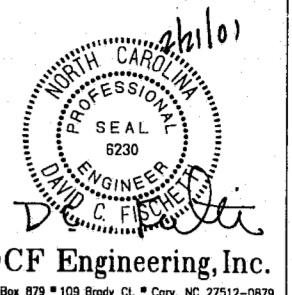
1 BRIDGE ELEVATION
STB SCALE 1/2" = 1'-0"



3 BRIDGE SECTION @ LATERAL BRACE
STB SCALE 3/4" = 1'-0"



2 BRIDGE SECTION
STB SCALE 3/4" = 1'-0"



PATON / ZUCCHINO & ASSOCIATES, P.A.
LANDSCAPE ARCHITECTURE/LAND PLANNING

Suite 101
1001 Wade Avenue
Raleigh, N.C. 27605
Bus. (919) 834-8620
Fax (919) 828-7068
www.paton-zucchino.com
e-mail: pza@paton-zucchino.com

- ◆ ARCHITECT:
CLINE DAVIS ARCHITECTS
RALEIGH, NC
- ◆ TENNIS CONSULTANT:
TRIANGLE TENNIS CONSULTANTS, INC.
CARY, NC
- ◆ STRUCTURAL ENGINEER:
DCF ENGINEERING
CARY, NC
- ◆ CIVIL ENGINEER:
H.J. GILLECE & ASSOCIATES
CARY, NC
- ◆ GEOTECHNICAL ENGINEER:
ECS CONSULTANTS, INC.
CARY, NC

◆ ELECTRICAL ENGINEER:
TRIANGLE ENGINEERING ASSOCIATES
RALEIGH, NC

● OWNER:
TOWN OF CARY
CARY, NC

● PROJECT:
CARY TENNIS CENTER

● SHEET TITLE:
BRIDGE SUPERSTRUCTURE

● Issue Date:

● Revision:
8 FEB 2001
NON SLIP SURFACE ON ALL BRIDGES (APPLIES TO STB ALSO)

● Project Number:

● Sheet Number:

ST8

20-SP-018-A
APPROVED
BS 2/28/01
*MUST BE APP'D BY INSPECTIONS & PERMITS DEPT.

9904T