

**PATON / ZUCCHINO & ASSOCIATES, P.A.**  
 LANDSCAPE ARCHITECTURE/LAND PLANNING

Suite 101  
 1001 Wade Avenue  
 Raleigh, N.C. 27605  
 Fax: (919) 834-8620  
 For: (919) 823-7058  
 www.paton-zucchino.com  
 e-mail: pza@paton-zucchino.com

ARCHITECT:  
 CLINE DAVIS ARCHITECTS  
 RALEIGH, NC

TENNIS CONSULTANT:  
 TRIANGLE TENNIS CONSULTANTS, INC.  
 CARY, NC

STRUCTURAL ENGINEER:  
 DCF ENGINEERING  
 CARY, NC

CIVIL ENGINEER:  
 H.J. GILLECE & ASSOCIATES  
 CARY, NC

GEOTECHNICAL ENGINEER:  
 ECS CONSULTANTS, INC.  
 CARY, NC

ELECTRICAL ENGINEER:  
 TRIANGLE ENGINEERING ASSOCIATES  
 RALEIGH, NC

OWNER:  
 TOWN OF CARY  
 CARY, NC

PROJECT:  
 CARY TENNIS CENTER

SHEET TITLE:  
 BRIDGE SUPERSTRUCTURE

Issue Date:

Revision:

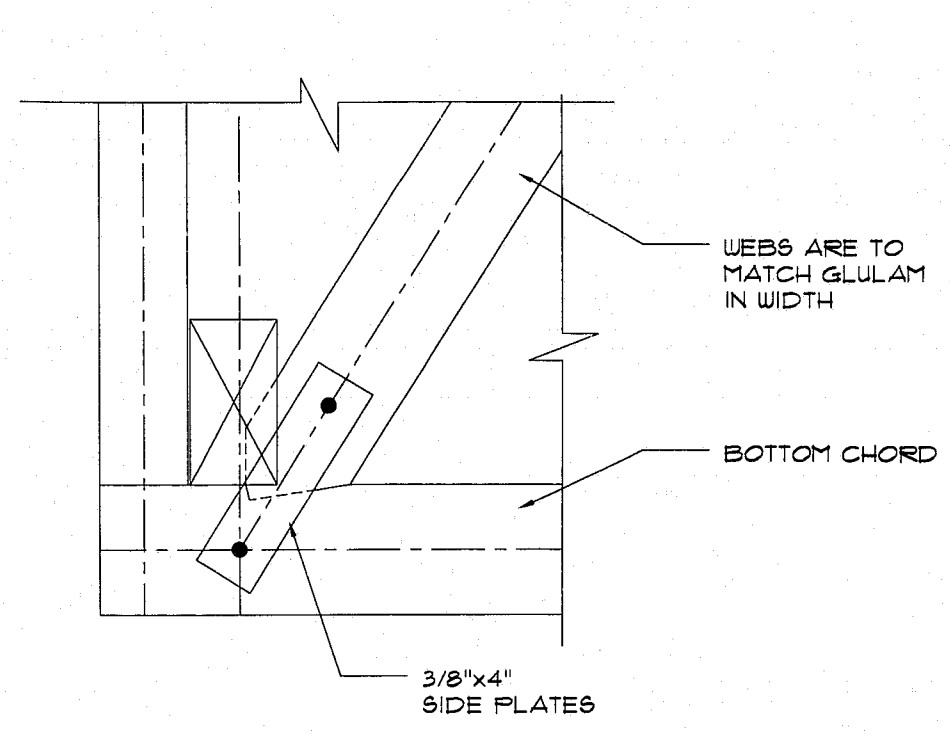
00-SP-01B-A  
**APPROVED**  
 2/21/01

\* MUST BE APPLIED BY INSPECTIONS & PERMITS DEPT.

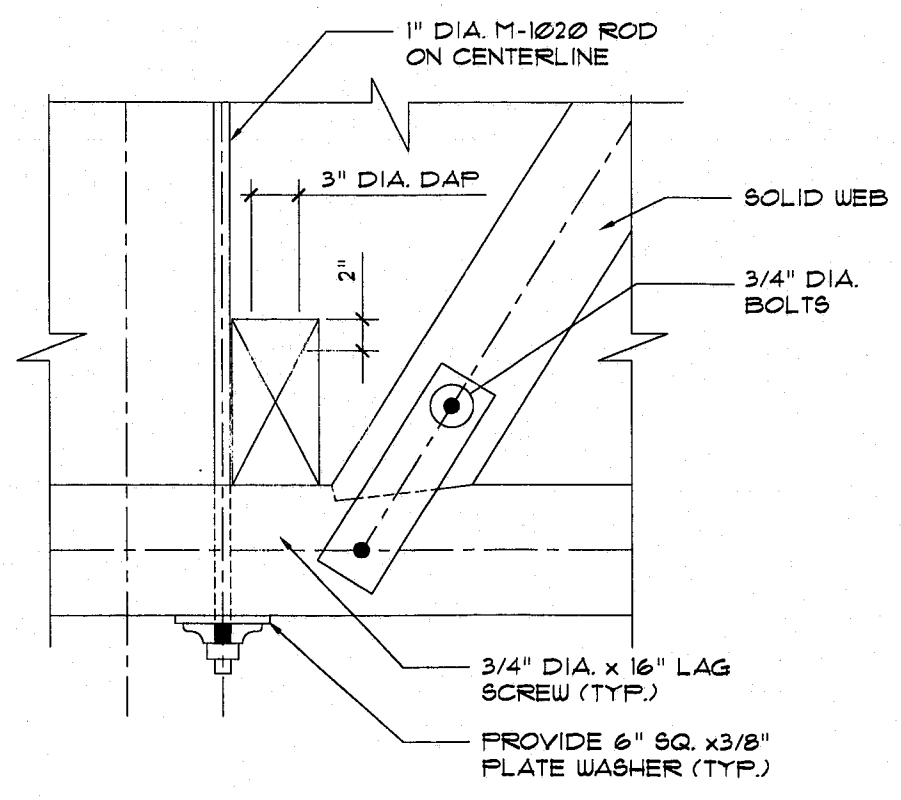
Project Number:

Sheet Number:

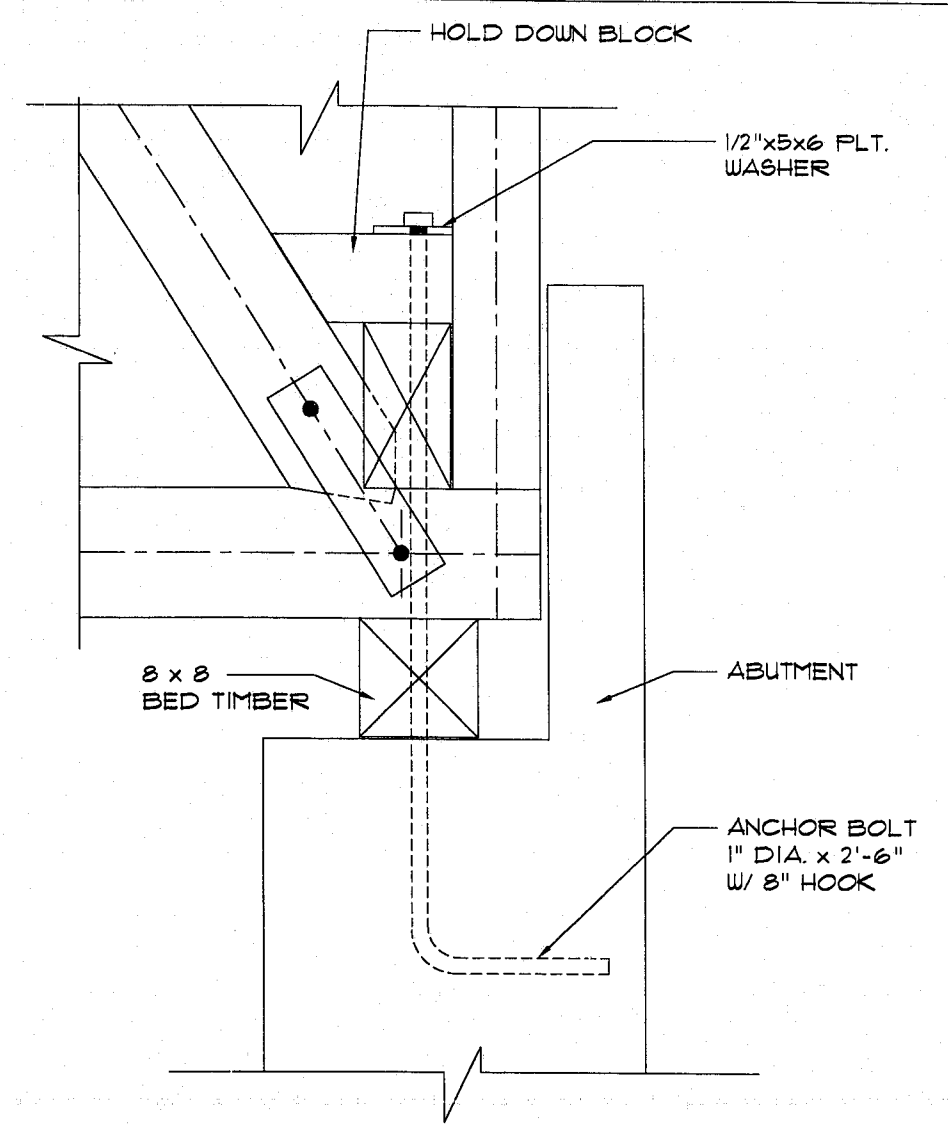
**ST8A**



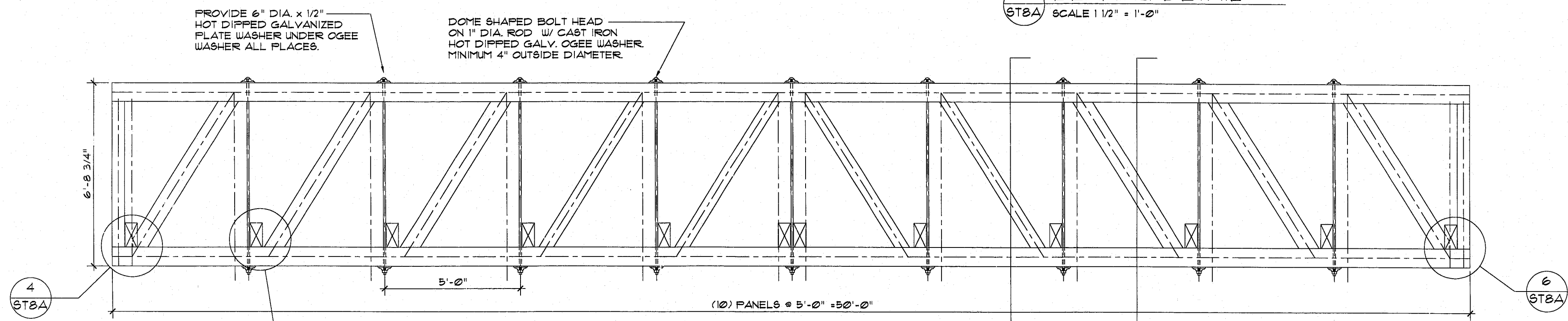
4 END BRACE DETAIL  
 ST8A SCALE 1 1/2" = 1'-0"



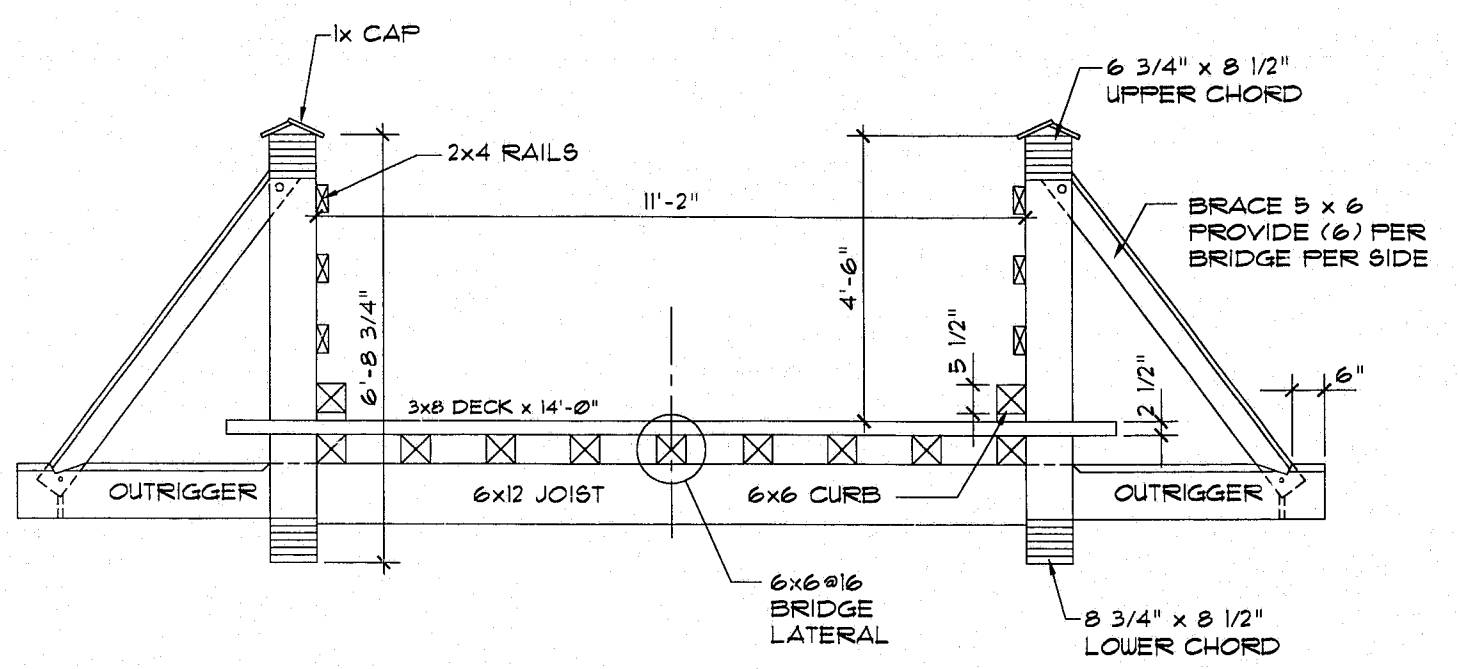
5 BRACE DETAIL  
 ST8A SCALE 1 1/2" = 1'-0"



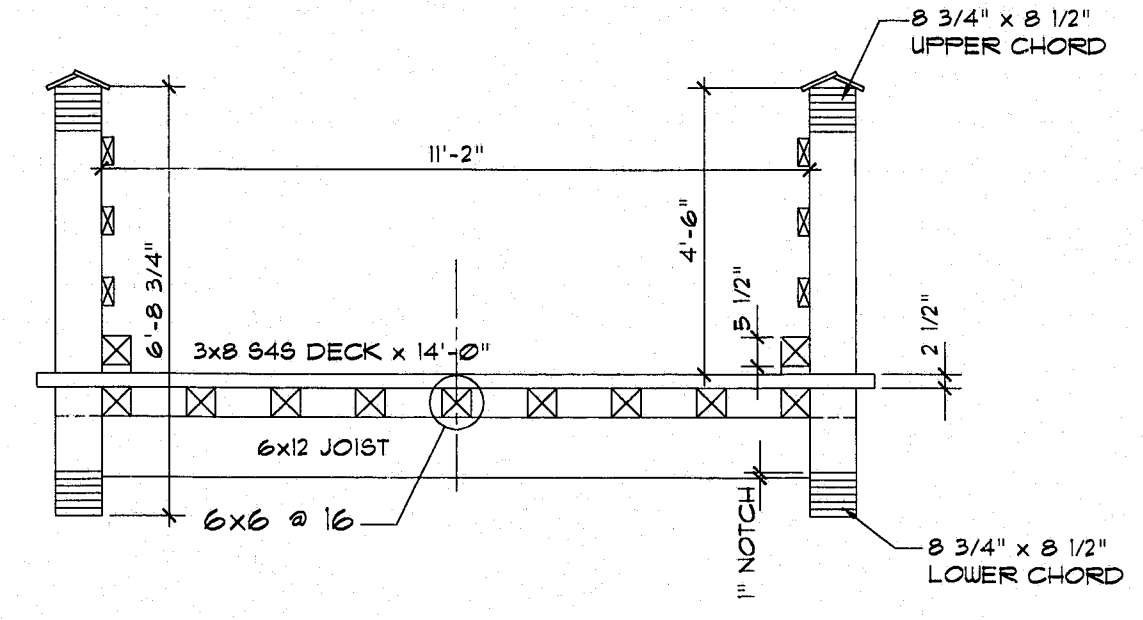
6 BEARING DETAIL  
 ST8A SCALE 1 1/2" = 1'-0"



1 BRIDGE ELEVATION  
 ST8A SCALE 1/2" = 1'-0"



3 BRIDGE SECTION @ LATERAL BRACE  
 ST8A SCALE 1/2" = 1'-0"



2 BRIDGE SECTION  
 ST8A SCALE 1/2" = 1'-0"

990-11