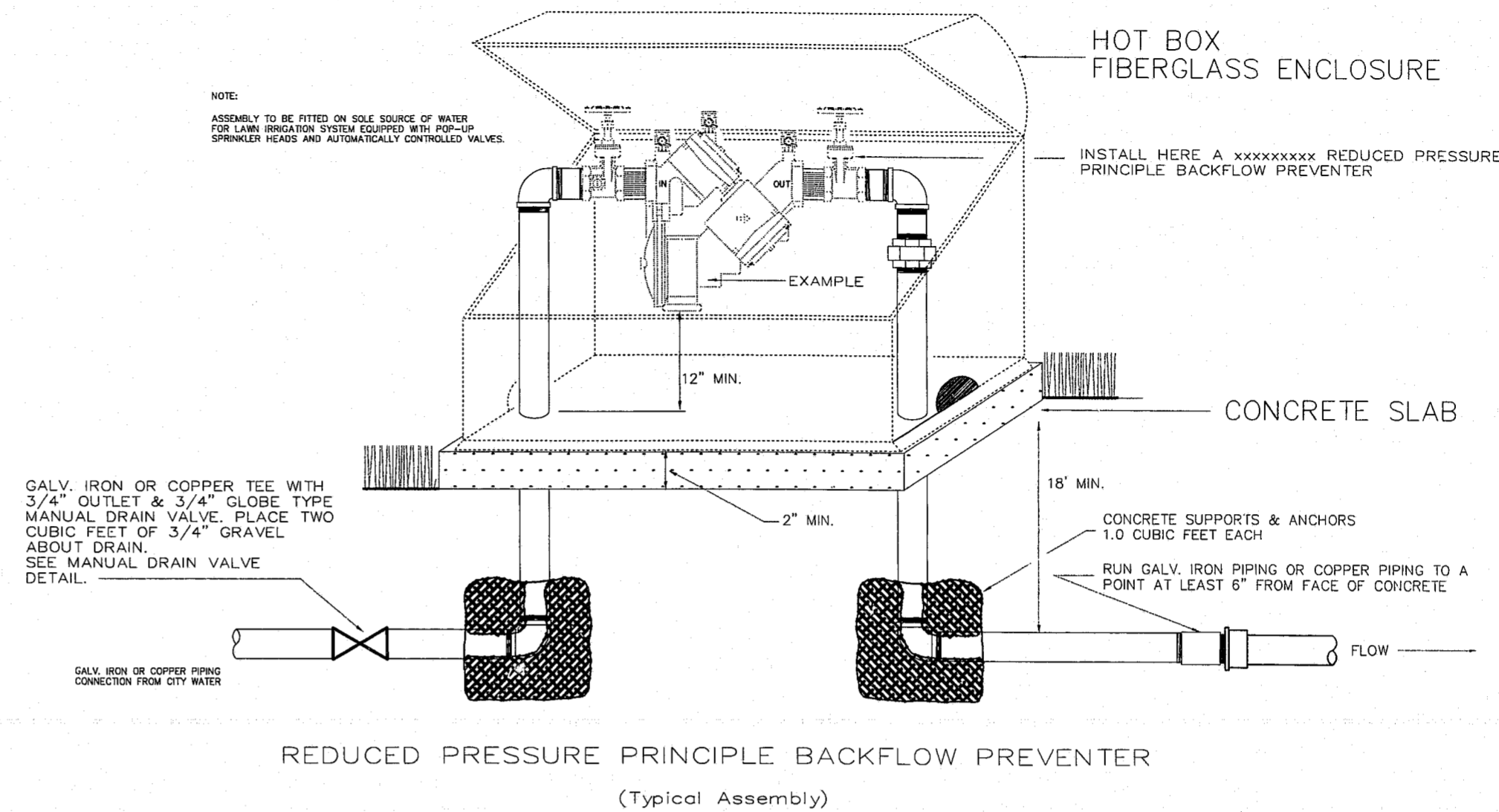
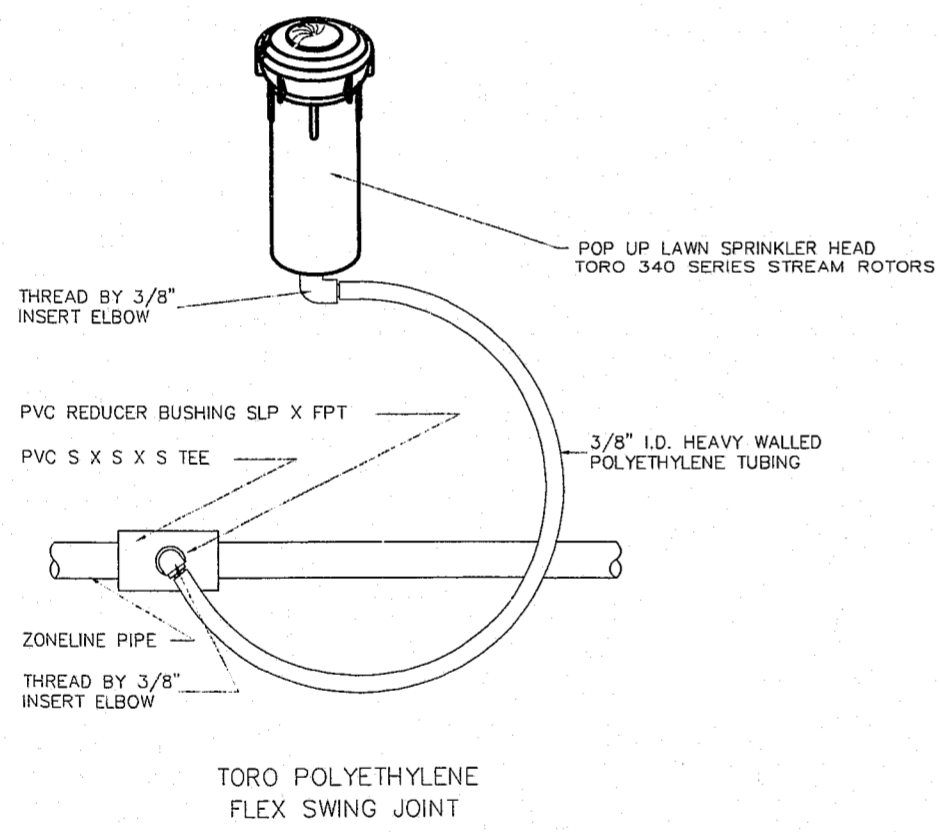


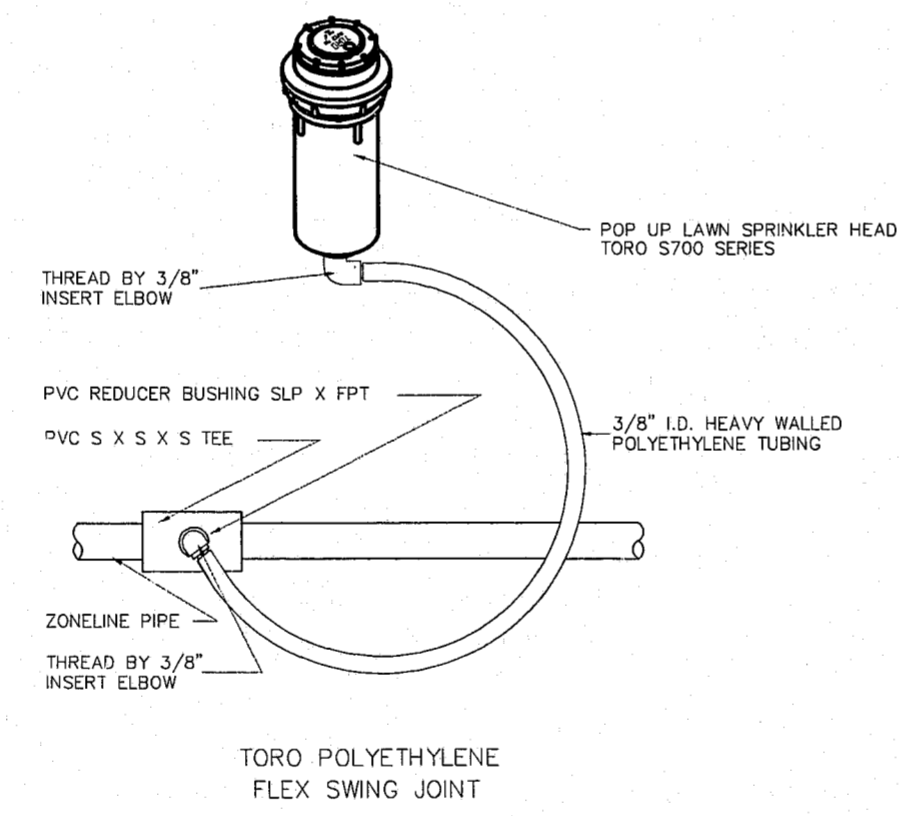
FRONT SECTION/ELEVATION  
RIGHT-SIDE SECTION/ELEVATION  
**PEDESTAL-MOUNT CONTROLLER  
TORO NETWORK LTC**



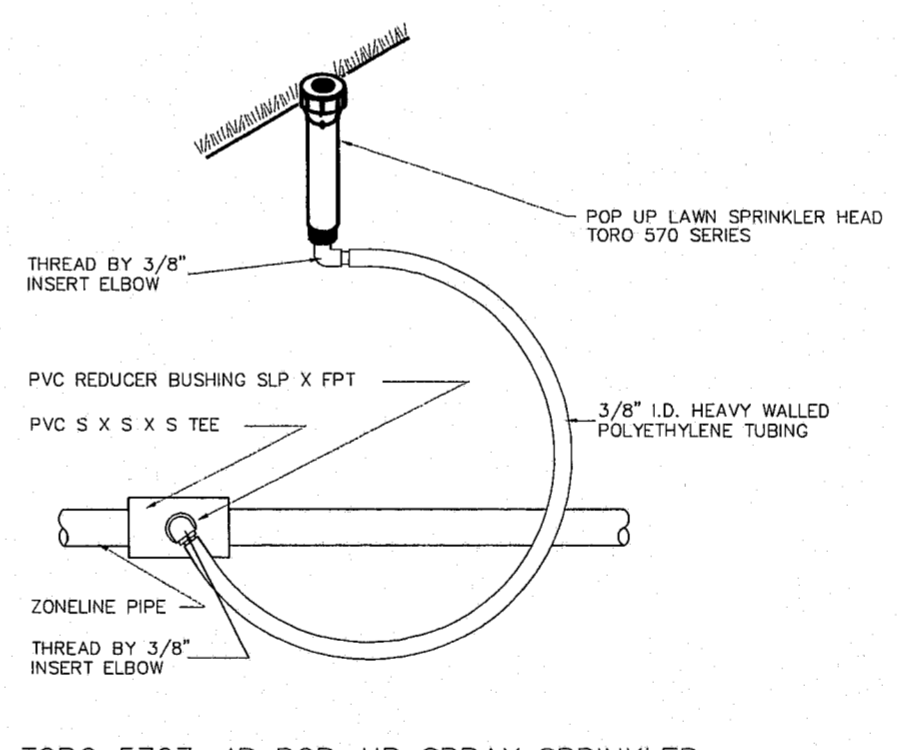
**REDUCED PRESSURE PRINCIPLE BACKFLOW PREVENTER**  
(Typical Assembly)



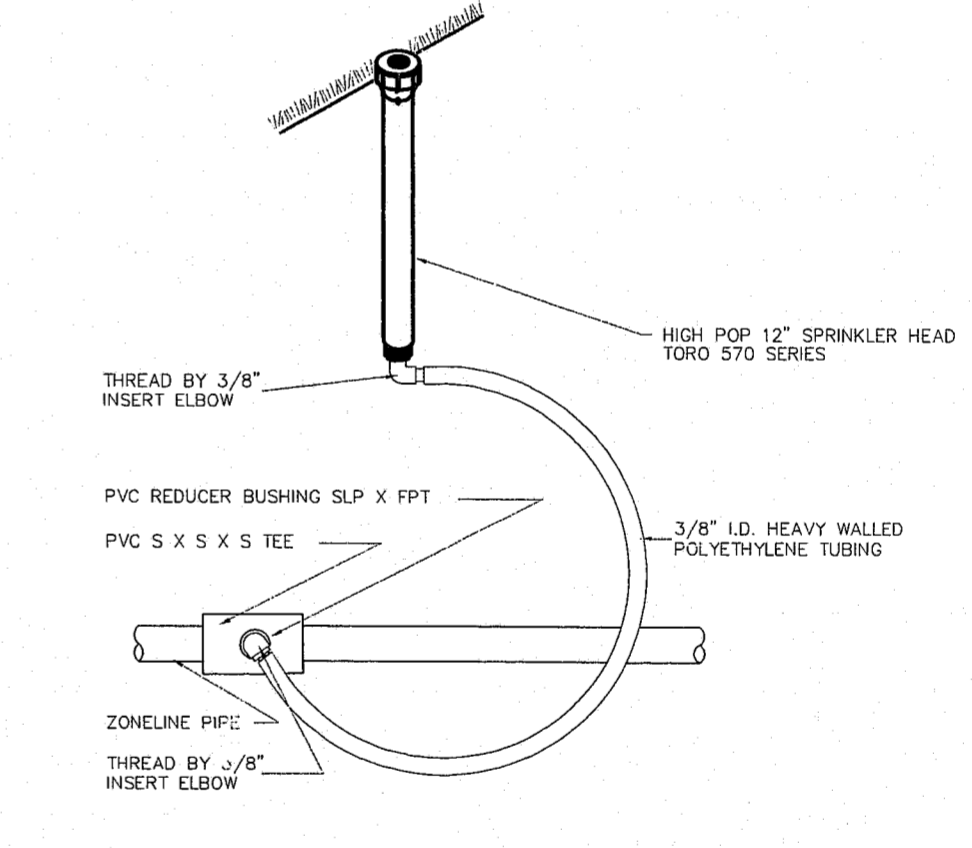
**TORO POLYETHYLENE  
FLEX SWING JOINT**



**TORO POLYETHYLENE  
FLEX SWING JOINT**



**TORO 570Z-4P POP-UP SPRAY SPRINKLER  
WITH SWING PIPE AND FITTINGS**

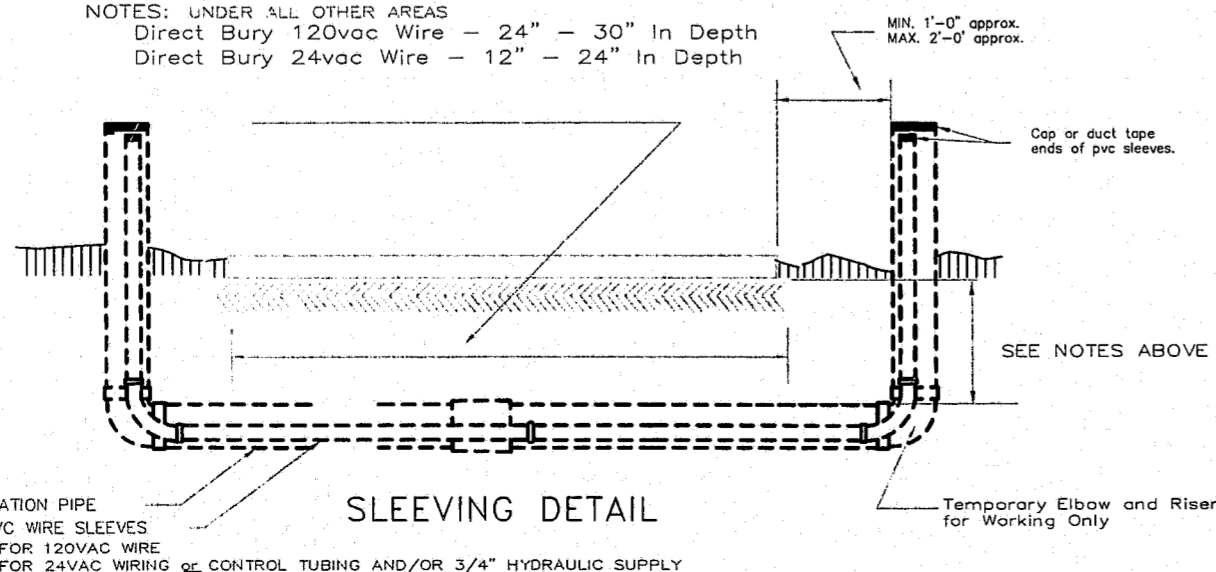


**TORO 570Z-12HP HIGH POP-UP SPRAY SPRINKLER  
WITH SWING PIPE AND FITTINGS**

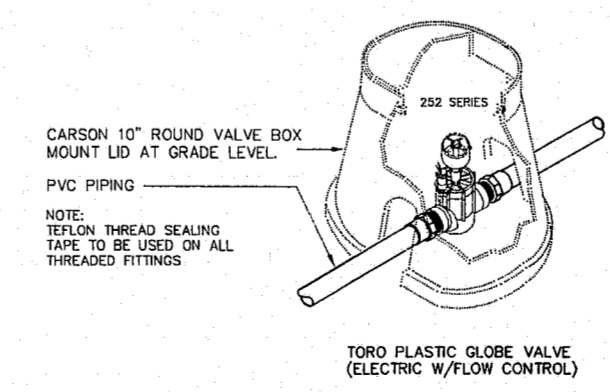
NOTES: UNDER NON-VEHICULAR TRAFFIC HARDSCAPES  
Direct Bury 120vac Wire - 18" min In Depth  
w/ Separate Wire Sleeve  
Direct Bury 24vac Wire - 12" min In Depth  
w/ Separate Wire Sleeve

NOTES: UNDER VEHICULAR TRAFFIC HARDSCAPES  
Streets, Highways, Roads, Alleys, Driveways  
and Parking Lots.  
Direct Bury 120vac Wire - 24" - 30" In Depth  
w/ Separate Wire Sleeve  
Direct Bury 24vac Wire - 24" - 30" In Depth  
w/ Separate Wire Sleeve

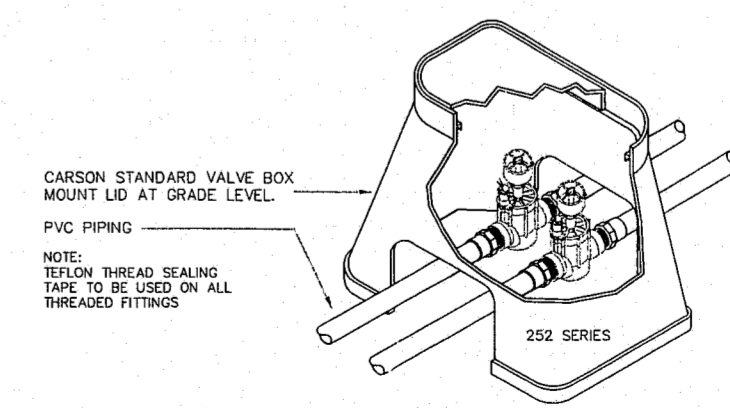
NOTES: UNDER ALL OTHER AREAS  
Direct Bury 120vac Wire - 24" - 30" In Depth  
Direct Bury 24vac Wire - 12" - 24" In Depth



**SLEEVING DETAIL**



**TORO PLASTIC GLOBE VALVE  
(ELECTRIC W/FLOW CONTROL)**



**TORO PLASTIC GLOBE VALVE  
(ELECTRIC W/FLOW CONTROL)**

**PATON / ZUCCHINO & ASSOCIATES, P.A.**  
LANDSCAPE ARCHITECTURE/PLANNING

5200 N. West Street  
Raleigh, N.C. 27603  
Bus. (919) 834-8620  
Fax (919) 828-7068  
www.paton-zucchino.com  
e-mail: pza@paton-zucchino.com

◆ **ARCHITECT:**  
CLINE DAVIS ARCHITECTS  
RALEIGH, NC

◆ **TENNIS CONSULTANT:**  
TRIANGLE TENNIS CONSULTANTS  
CARY, NC

◆ **STRUCTURAL ENGINEER:**  
DCF ENGINEER  
CARY, NC

◆ **CIVIL ENGINEER:**  
H. J. GILLEECE & ASSOCIATES  
CARY, NC

◆ **GEOTECHNICAL ENGINEER:**  
ECS CONSULTANTS, INC.  
CARY, NC

◆ **ELECTRICAL ENGINEER:**  
TRIANGLE ENGINEERING ASSOCIATES  
RALEIGH, NC

◆ **OWNER:**  
TOWN OF CARY  
CARY, NC

◆ **PROJECT:**  
CARY TENNIS CENTER

◆ **SHEET TITLE:**  
IRRIGATION DETAILS

◆ **Issue Date:**  
NOVEMBER 13, 2000

◆ **Revision:**

DD-CP-018-A  
**APPROVED**  
EO 2/28/01  
TM 3-2-01

◆ **Project Number:**

◆ **Sheet Number:**