

- GENERAL NOTES & SPECIFICATIONS**
1. ALL WORK SHALL BE IN STRICT ACCORDANCE WITH STATE BLDG CODE & ALL LOCAL AND CITY CODES.
 2. CONTRACTOR TO OBTAIN & PAY FOR ALL PERMITS, INSPECTION OR TAP-ON FEES, ETC.
 3. WATER LINES-TYPE L COPPER ABOVE GRADE, TYPE K BELOW, NO JOINTS UNDER SLABS.
 4. TESTS: WATER-1 HR @ 150PSI; SOIL/WASTE FILL TO ROOF & BE GAS & WATER TIGHT FOR 24 HRS.
 5. SANITARY SEWER-1 1/2" UP SERVICE WEIGHT CI ASTM A74 CSP 301-881 (INCLUDES ROOF LEADERS).
 6. PROVIDE SHOCK ABSORBERS PER CODE.
 7. VENT LINES SHALL SLOPE UP TO VTR.
 8. INSULATION-RUNOUTS TO 2" @ 1/2" THK; MAINS TO 2" @ 1" THK; OVER 2" @ 1 1/2" THK; ROOF LEADERS AND UNDER ROOF DRAINS @ 1/2" THK, CLOSED CELL RUBBER OF DISSIMILAR MATERIALS.
 9. INSULATING UNIONS SHALL BE PROVIDED @ JUNCTIONS OF DISSIMILAR MATERIALS.
 10. PROVIDE TRAP PRIMERS ON ALL P-TRAPS AS REQD PER N.C. PLUMB CODE.
 11. UNIONS-GROUND JOINT BRASS SEAT.
 12. CONTRACTOR COORDINATE PLUMBING W/OTHER TRADES PIPING APPROXIMATE, MAKE CHANGES AS REQUIRED.
 13. WHEN WATER PRESSURE EXCEEDS 80PSI PROVIDE PRESSURE REDUCING VALVE.
 14. AUTOMATIC STORAGE WATER HEATERS SHALL HAVE EFFICIENCY RATING EQUAL TO OR EXCEEDING ASHRAE 90A-1980 UPDATED AND SO LABELED.
 15. HOT WTR STORAGE & PIPING SYSTEMS SHALL BE INSULATED EQ TO OR EXCEED ASHRAE 90A-1980 UPDATED.
 16. PROVIDE FIRE & SMOKE STOPPING FOR ALL PLUMBING PIPES PASSING THROUGH RATED WALLS AND PARTITIONS.
 17. PROVIDE CHECK VALVES IN H&CW SUPPLIES TO ALL FIXTURES WITH THREADED OUTLETS.
 18. VACUUM BREAKER TO BE INSTALLED BY PLMG. CONTR PER CODE FOR ANY EQUIPMENT REQUIRING SUCH DEVICE WHERE ONE IS NOT PROVIDED.

CONNECTED LOADS

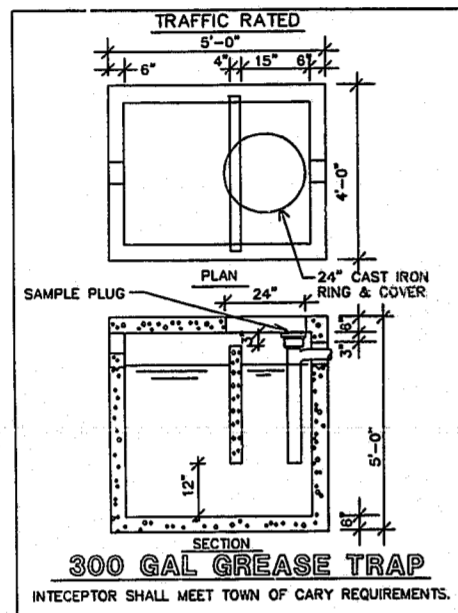
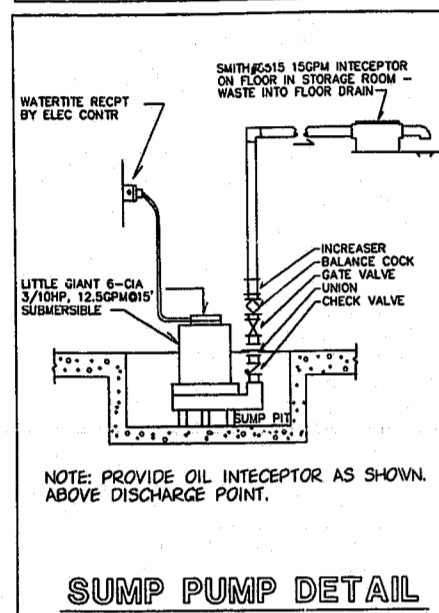
SOIL AND WASTE	162 FU
COLD WATER	198 FU
DEMAND	60 GPM

FIXTURE SCHEDULE (As Applicable)

W	V	CW	HW
WATER CLOSET	2"	1"	---
URINAL	2"	3/4"	---
LAVATORY	2"	1/2"	1/2"
RECEPTOR	2"	1/2"	1/2"
WATER COOLER	2"	1/2"	1/2"
SINK	2"	1/2"	1/2"
SHOWER	2"	1/2"	1/2"

PLUMBING LEGEND (As Applicable)

- SOIL & WASTE
- VENT
- COLD WATER
- HOT WATER
- HW RETURN
- STORM
- GATE VALVE
- CHECK VALVE
- UNION
- RATED WALL
- SHOCK ABSORBER
- VTR
- SD
- LETTER DENOTES SIZE
- VENT THRU ROOF
- CLEANOUT
- FD
- FLOOR DRAIN
- RD
- ROOF DRAIN
- HB
- NOSE BIBB
- AFH
- ANTI-FREEZE HYDRANT
- HD
- HUB DRAIN
- FS
- FLOOR SINK



SHOCK ABSORBER SCHEDULE

P. D. I. SYMBOL	A	B	C
FIXTURE UNIT RATING	1-11	12-32	33-60

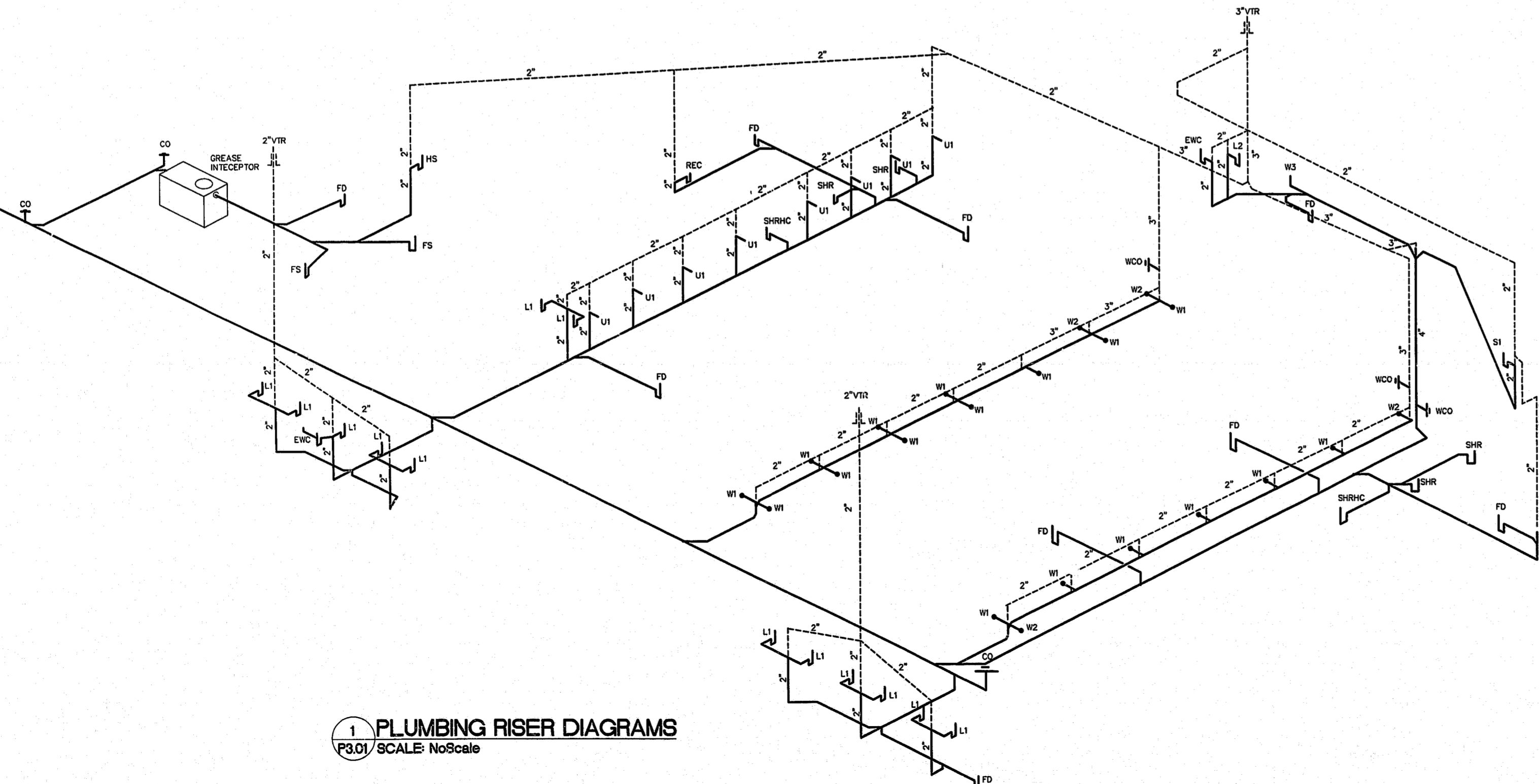
P. D. I. SYMBOL	D	E	F
FIXTURE UNIT RATING	61-113	114-154	155-330

FIXTURE SPECIFICATIONS

Standard noted - Kohler & Eijer equal

W1:	2257.103***	W2:	2257.103***
Seat	Oison# 95	Seat	Oison# 95
Supply	SR#111	Supply	SR#111**
U1:	6501.010	W3:	2305.100
Supply	SR#186-1	Seat	Oison# 95
Carrier	J 17820	Supply	SR#111**
L1:	0476.028	L2:	0373.027
Faucet	Meen #8425	Faucet	Meen #8425
Supply	Mc#158LX*	Supply	Mc#158LX*
Drain	Mc# 8872*	Drain	Mc# 8872*
S1:	Elkay P8R2219	REC:	7741.000
Faucet	LX 4103	Faucet	8344.111
Strainer	LX 35	Drain	8303.026
SHR:	AquaBath #8363ASH	SHRHC:	AquaBath C01368F
Curtain, Press#8363HandHeld,		Curtain, Press#8363HandHeld,	
60"Hose,24"SlideBar		60"Hose,24"SlideBar	
EWC:	OasisPBAMSL	VTR HTR:	STATE
Sides	Vinyl w/6skrt	Model #	SB8-120-54-FE
#15BWC & #155WC		Go#W	120/34KW208/3
For Handicap		Set T'Stat @	115 F
** FV MT on wide side		Eq:	Rheem, AOSmith, White
*** Carriers: Smith Fig 115 & Fig 175			

FD'S* SMITH JOSAM ZURN ANCON MIFAB
Toilet 2010-A 3000D-A ZN-415-SB FD-100-CA EQ
Mech 2120 38000 Z-509 FD-320-Y EQ
* with trap primer as req'd MIFAB equal
FS'S 3110-13 49020-4 ZN-1900-3 FS-1280-16-1 EQ
CO'S
Wall 4530 58790 ZN-1445-1 CO-460-RD-1 EQ
Floor 4020-FC58010-2 ZN-1400-C CO-200-9-1C EQ
Ext* 4400 58900 Z-1440 CO-200 EQ
AFH* 5510-H 71550-812-1315-5 HY-400-VB EQ
* with vacuum breaker



1 PLUMBING RISER DIAGRAMS
P3.01 SCALE: NoScale

CO-SP-018-A
APPROVED
BB 2/28/01

CLINE DAVIS ARCHITECTS PA

414 West Jones St
Raleigh, NC 27603

919/833-6413
919/836-1380 FAX
CDA@INTERPATH.COM

SEAL
NORTH CAROLINA REGISTERED PROFESSIONAL ARCHITECT
1978-1982/PAVE DAVEL, M.S. REGD, RALPH, R. E. 2780

BANK

CARY TENNIS CENTER
Cary, North Carolina

Construction Documents

Project
Date NOV 10, 2000
Revisions
Drawn By
Checked By
Content
PLMG DETAILS
Sheet P3.01