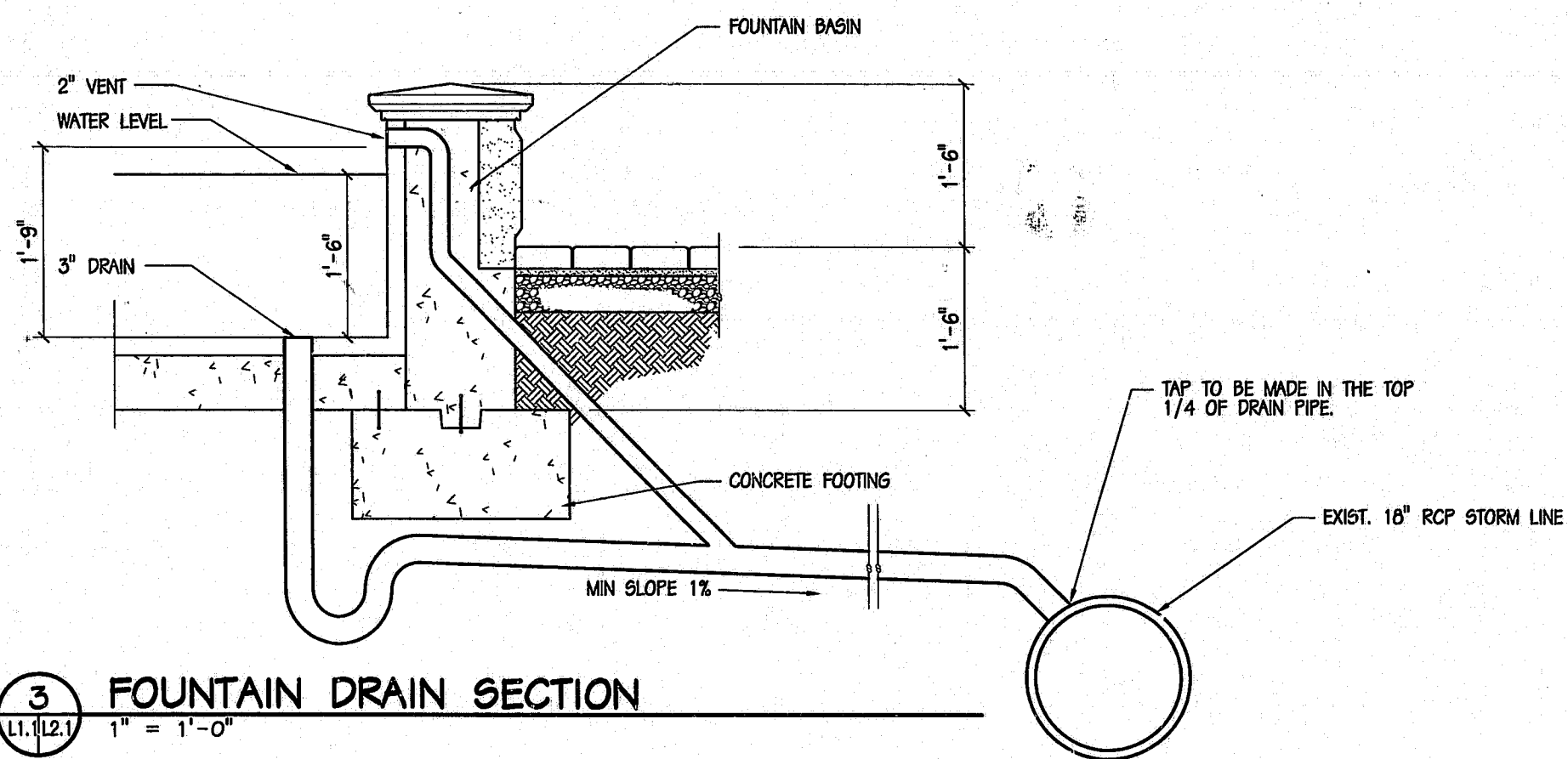
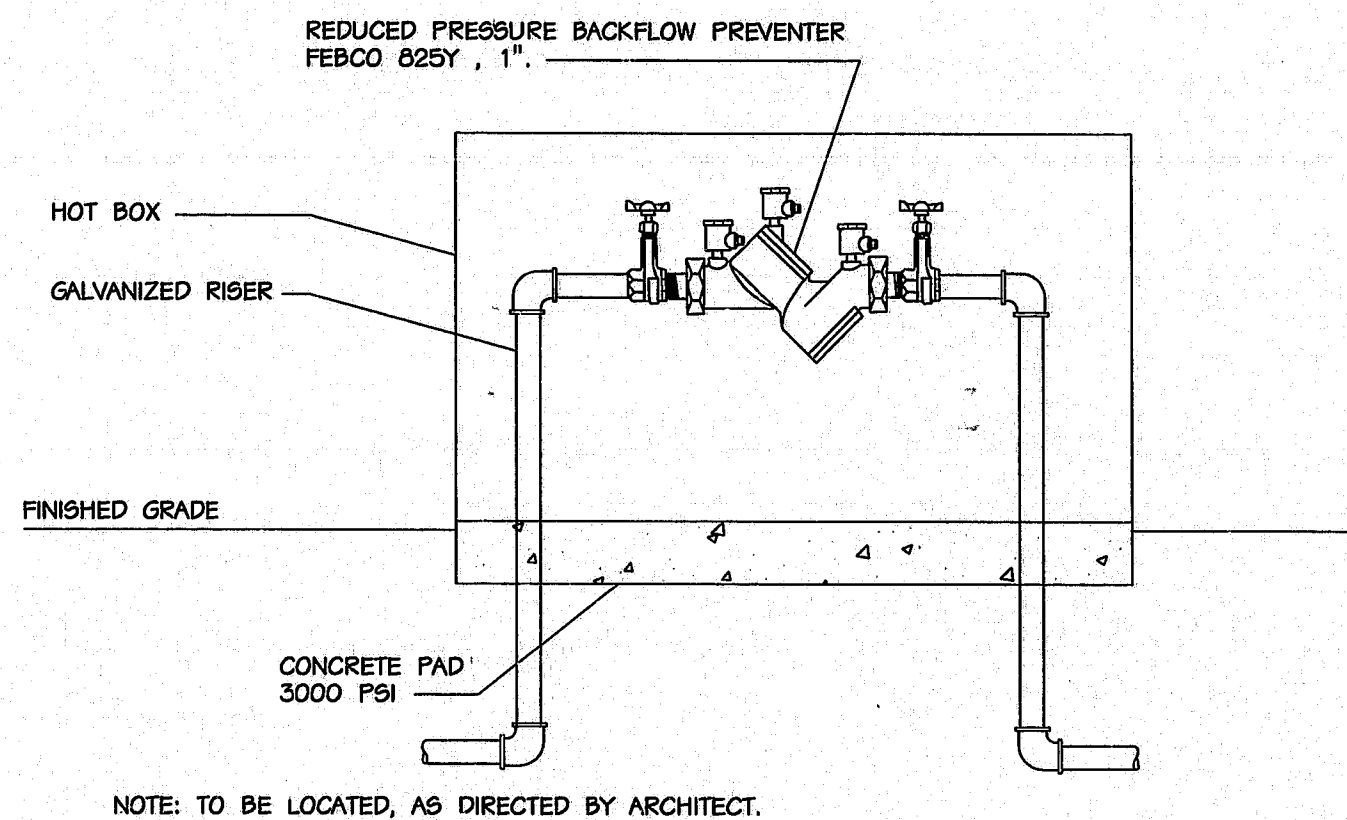


1 PICNIC SHELTER ELEVATION
L1.1|L2.1 SCALE: 1/4" = 1'-0"

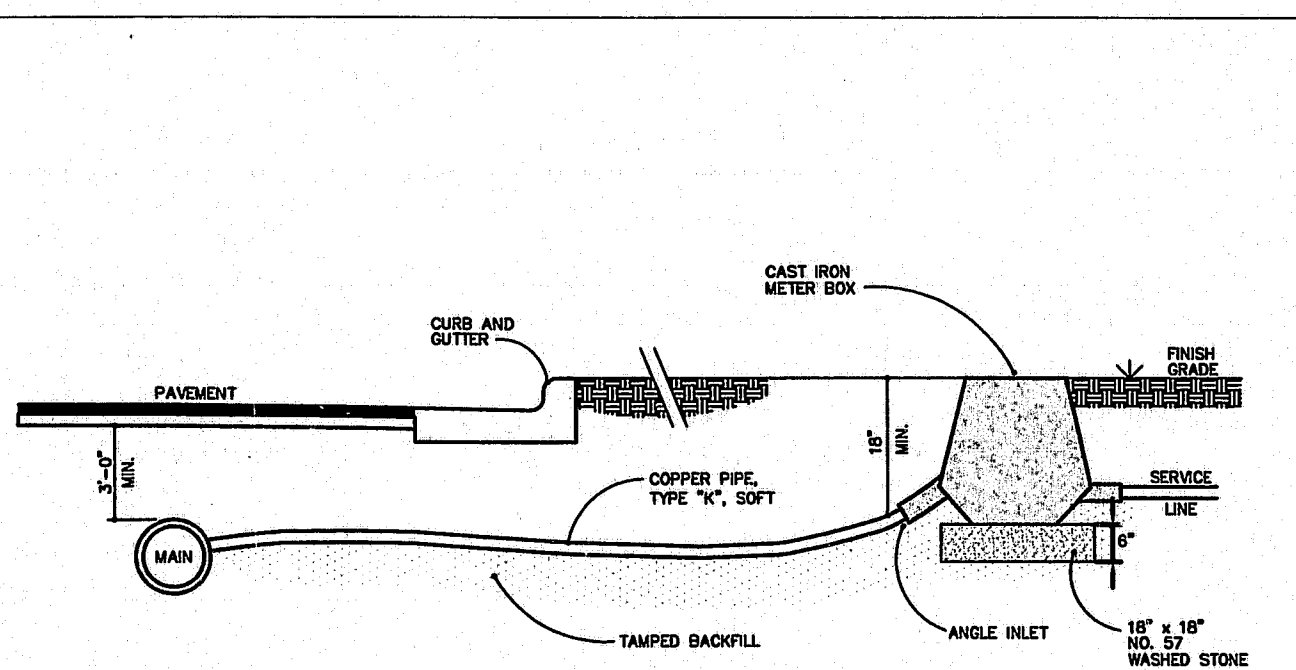
2 PICNIC SHELTER SECTION
L1.1|L2.1 SCALE: 1/4" = 1'-0"



3 FOUNTAIN DRAIN SECTION
L1.1|L2.1 1" = 1'-0"



4 BACKFLOW PREVENTOR
L2.1|L2.1 N.T.S.



REVISIONS	DATE	DESCRIPTION

STANDARD 3/4" AND 1" METER BOX INSTALLATION

STD. No.
8.01

00-512-003
APPROVED
BB 4/4/00

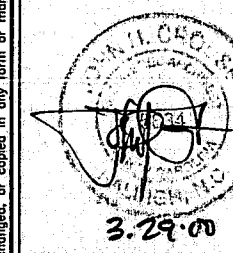


SUITE 200
5041 CORPORATE WOODS DRIVE
VIRGINIA BEACH, VIRGINIA 23462
(757) 222-2010

DES. MJL DR. PW CHK. JJC

DATE JAN. 17, 2000

REVISIONS



CENTREGREEN PARK AT WESTON
900 CENTREGREEN WAY
CARY, NORTH CAROLINA

PICNIC SHELTER DETAILS

PROJECT NO. 99-137

L2.1

AMENITIES PLAN

SHEET OF

CMSS Architects, P.C. expressly reserves the right under common law copyright and assembly rights in connection with the design, concept, and drawings presented in this document. This document(s) and/or design(s) shall not be reproduced, changed, or copied in any form or manner without the express written consent of CMSS Architects, P.C. © 1999.