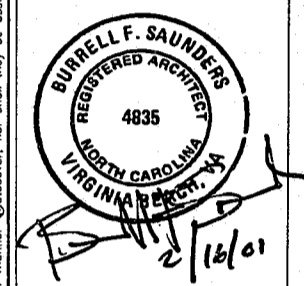
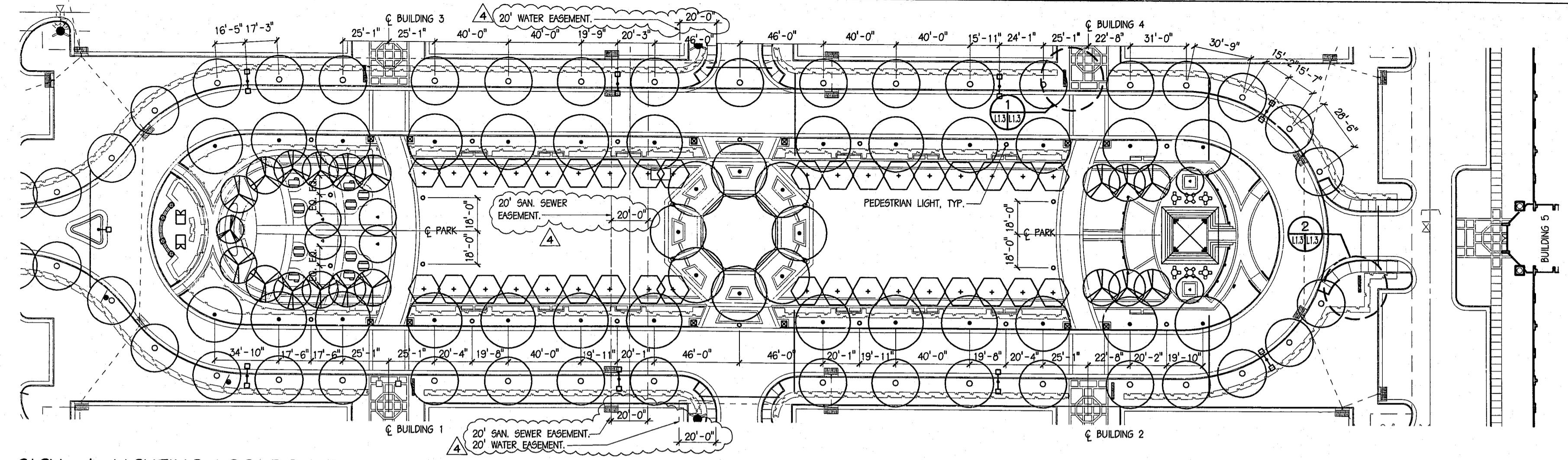


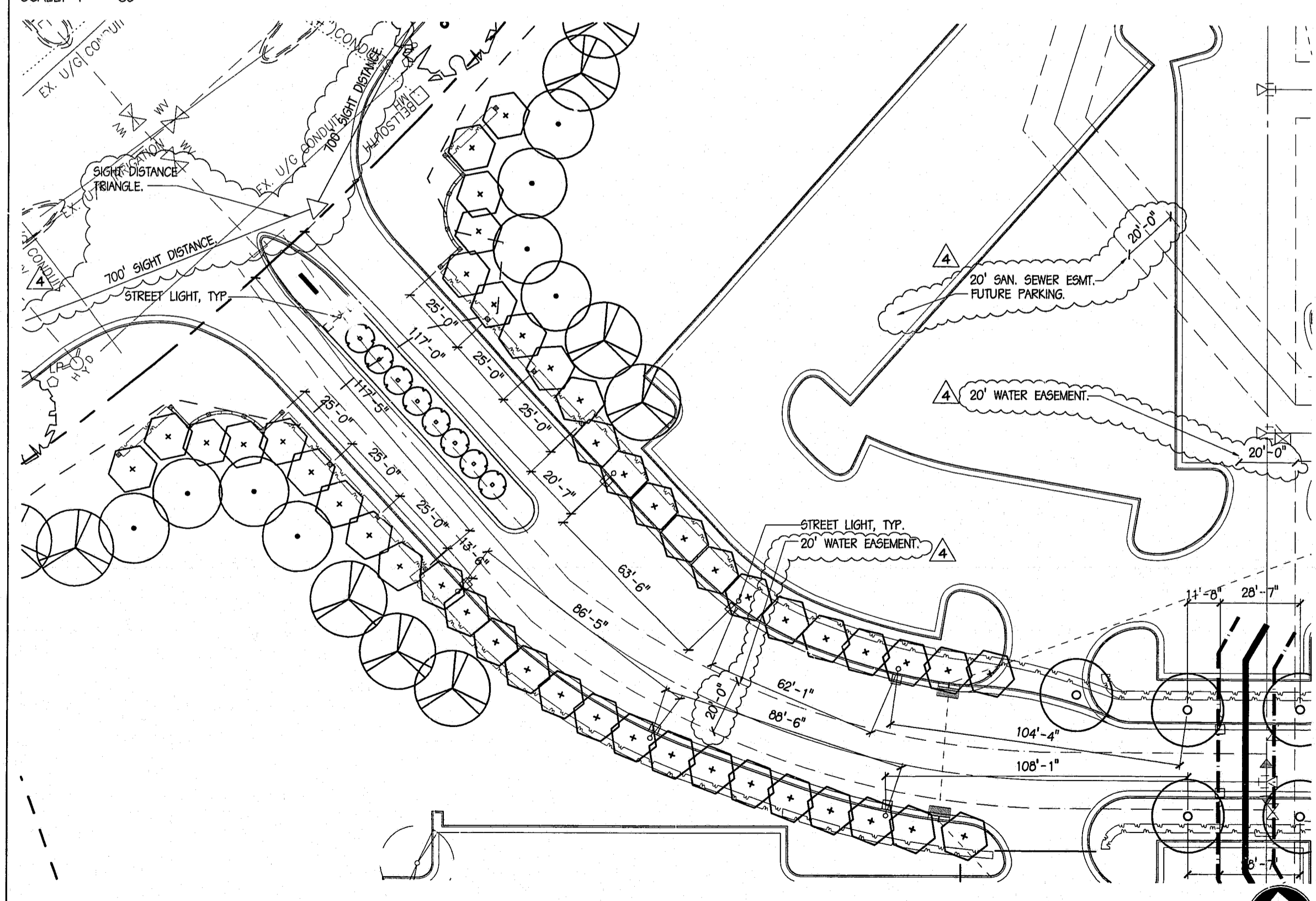
REVISIONS	
1	06/01/00 ENTIRE SHEET
4	02/15/01 T.O.C. COMMENTS



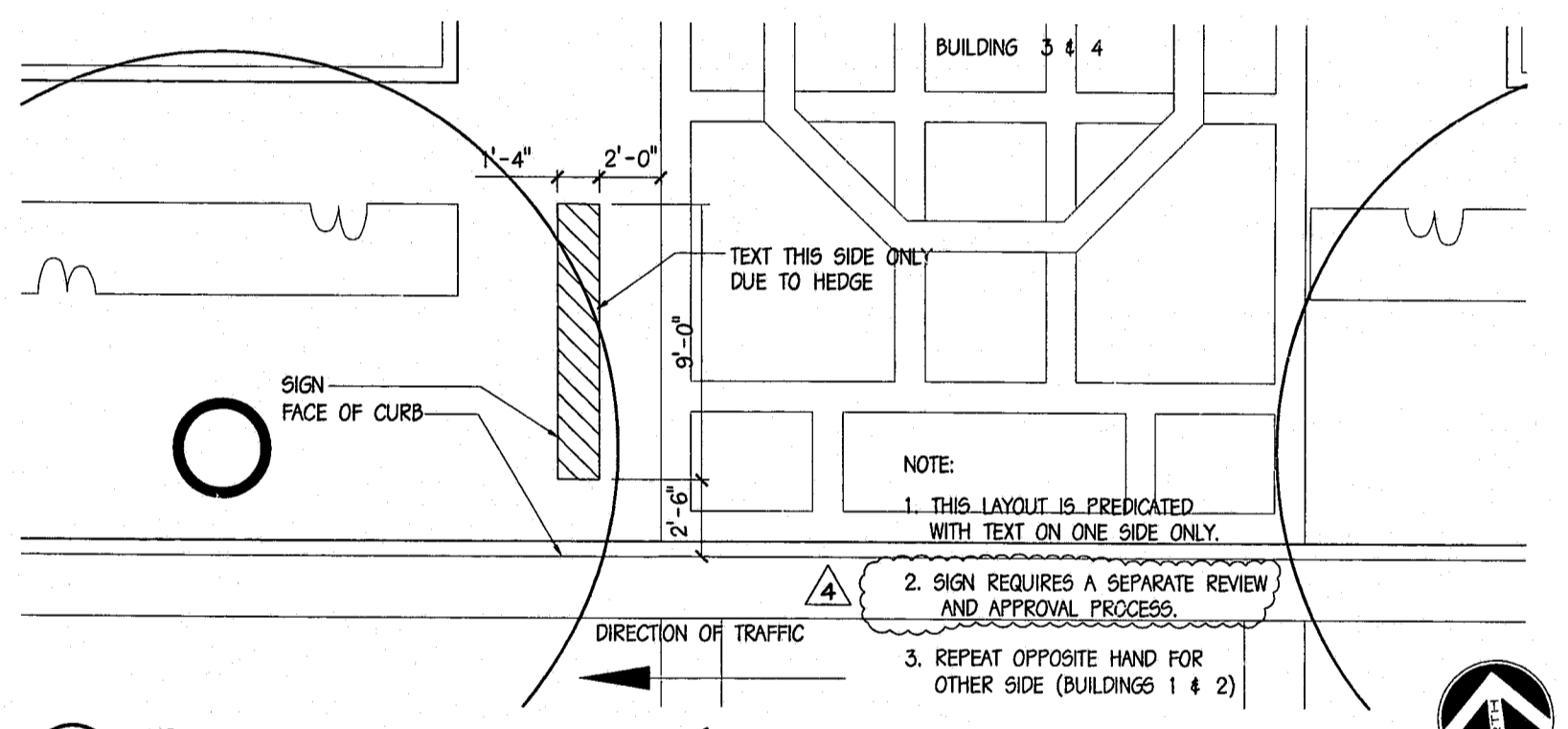
2/16/01



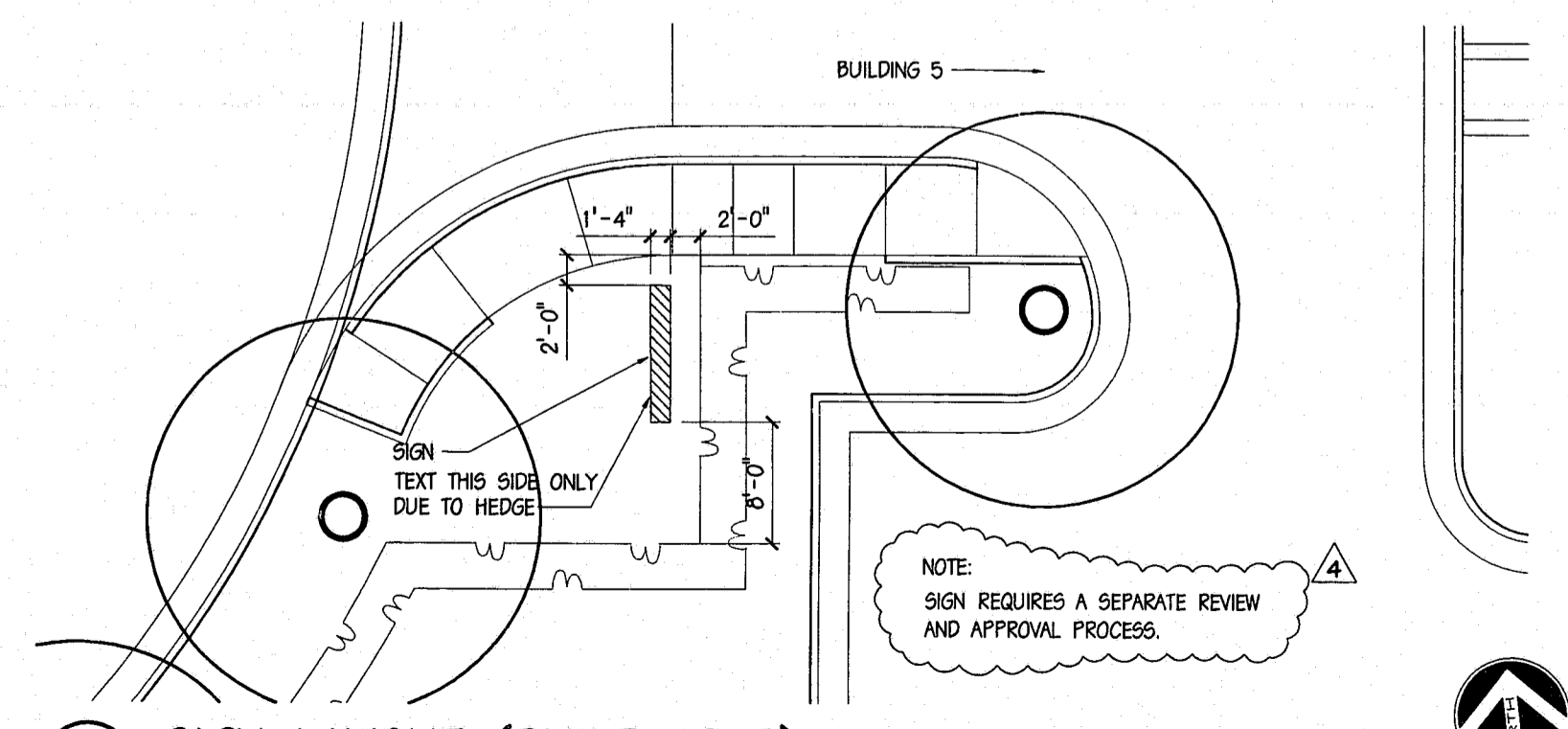
TREE, SIGN, & LIGHTING LOCATION PLAN FOR CENTRAL PARK
SCALE: 1" = 30'



TREE & LIGHTING LOCATION PLAN FOR MAIN ENTRANCE
SCALE: 1" = 25'



1 TYPICAL SIGN LAYOUT (BUILDINGS 1-4)
SCALE: 1/4" = 1'-0"



2 SIGN LAYOUT (BUILDING 5)
SCALE: 1/8" = 1'-0"

CENTRAL PARK AT CENTREGREEN
900 CENTREGREEN WAY
CARY, NORTH CAROLINA

PROJECT NO. 99-137

L1.3

HARDSCAPE PLAN

SHEET OF

CMSS ARCHITECTS, P.C. EXPRESSLY RESERVES THE RIGHTS UNDER COMMON LAW COPYRIGHT AND NEIGHBORING RIGHTS IN CONNECTION WITH THE DESIGN, CONCEPT, AND DRAWINGS PRESENTED IN THIS DOCUMENT. THIS DOCUMENT (S) AND OR DESIGN(S) SHALL NOT BE REPRODUCED, COPIED, OR EMBEDDED IN ANY FORM OR MEDIUM WITHOUT EXPRESS WRITTEN CONSENT OF CMSS ARCHITECTS, P.C. © 1999.