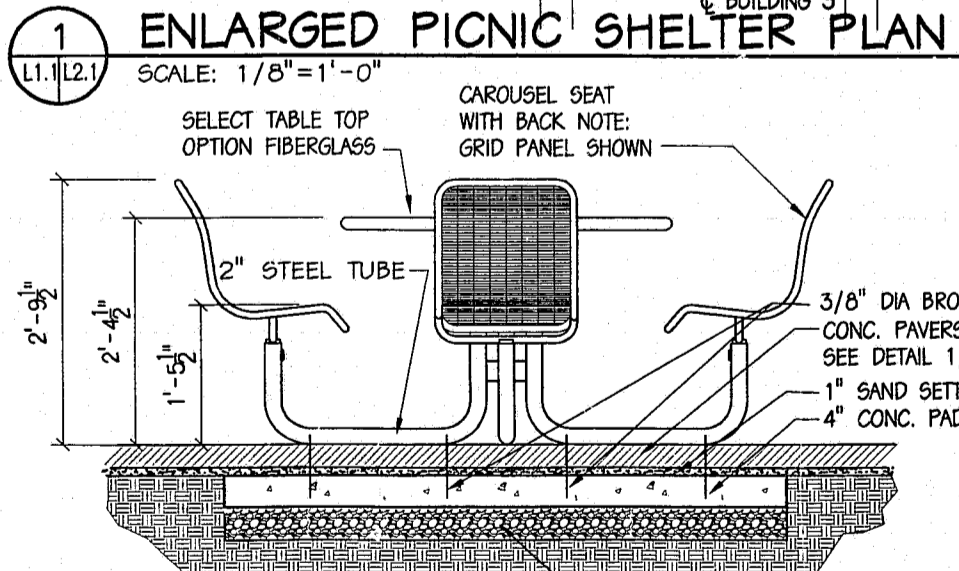
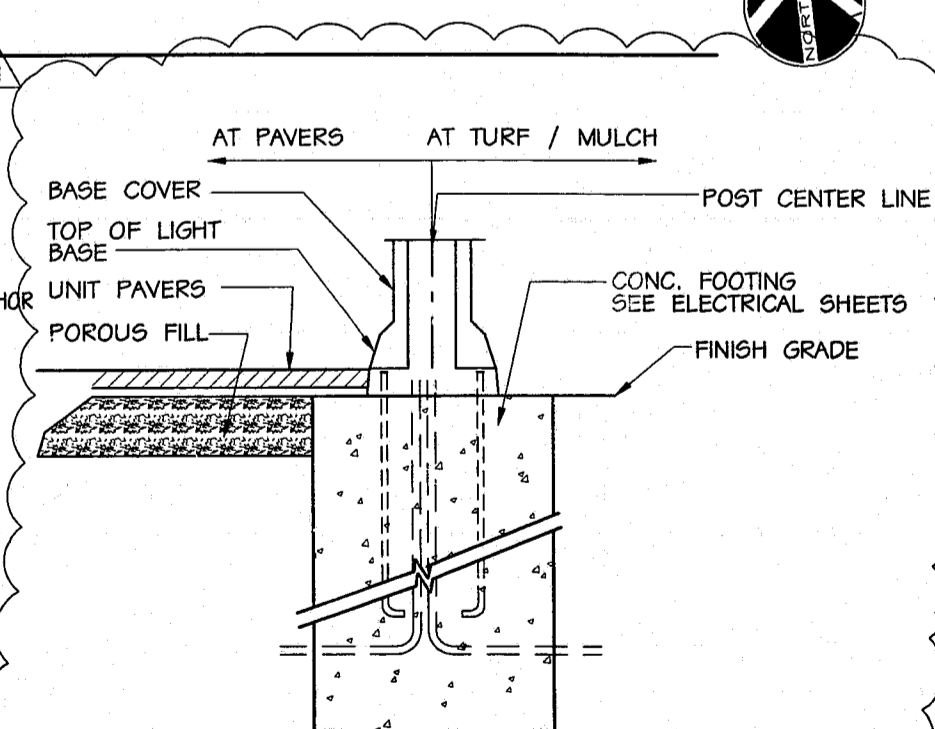


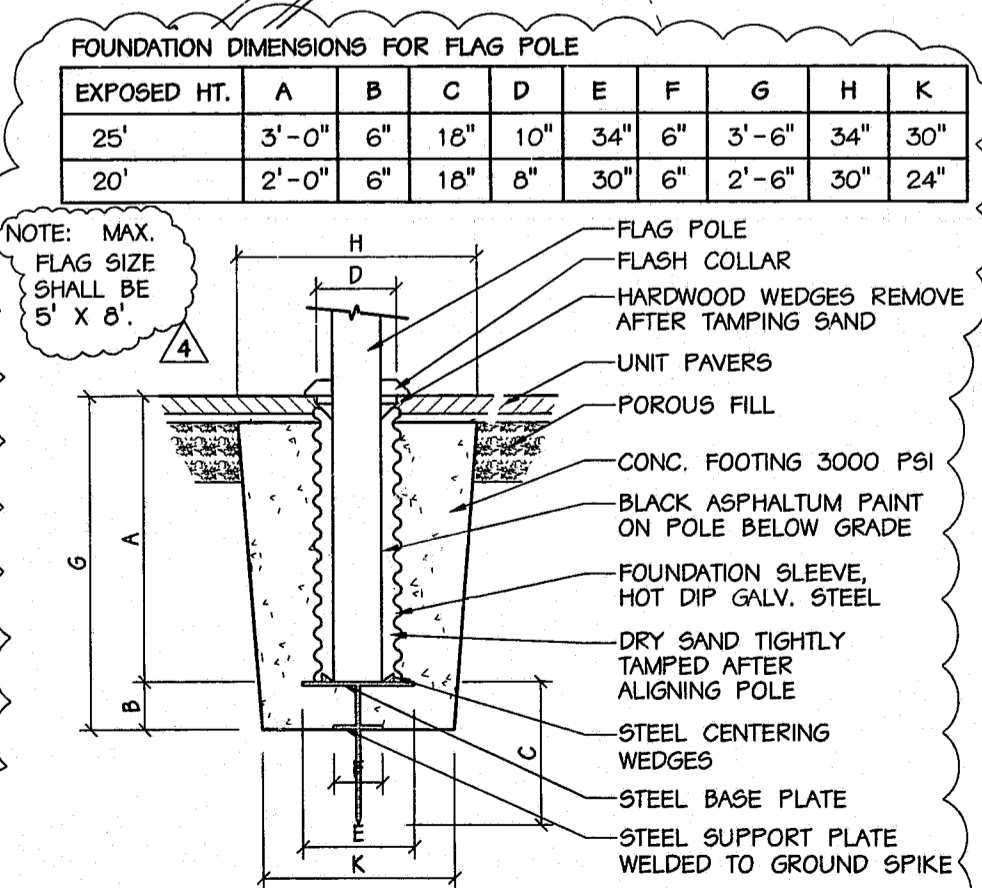
- NOTES:
- CONC. PAD SHALL BE 2' LONGER THAN BENCHES AND LITTER RECEPTACLE. (1' ON EACH END)
 - BENCH AND LITTER RECEPTACLE BY LANDSCAPE FORMS INC. 800-290-6236
 - * BENCH "MANISTEE" BY LANDSCAPE FORMS (800-521-2546) 72" LENGTH, W/ BACK & ARM RESTS (56 TOTAL)
 - * LITTER RECEPTACLE "PRESIDIO" BY LANDSCAPE FORMS (800-521-2546) SIDE OPENING LITTER RECEPTACLE



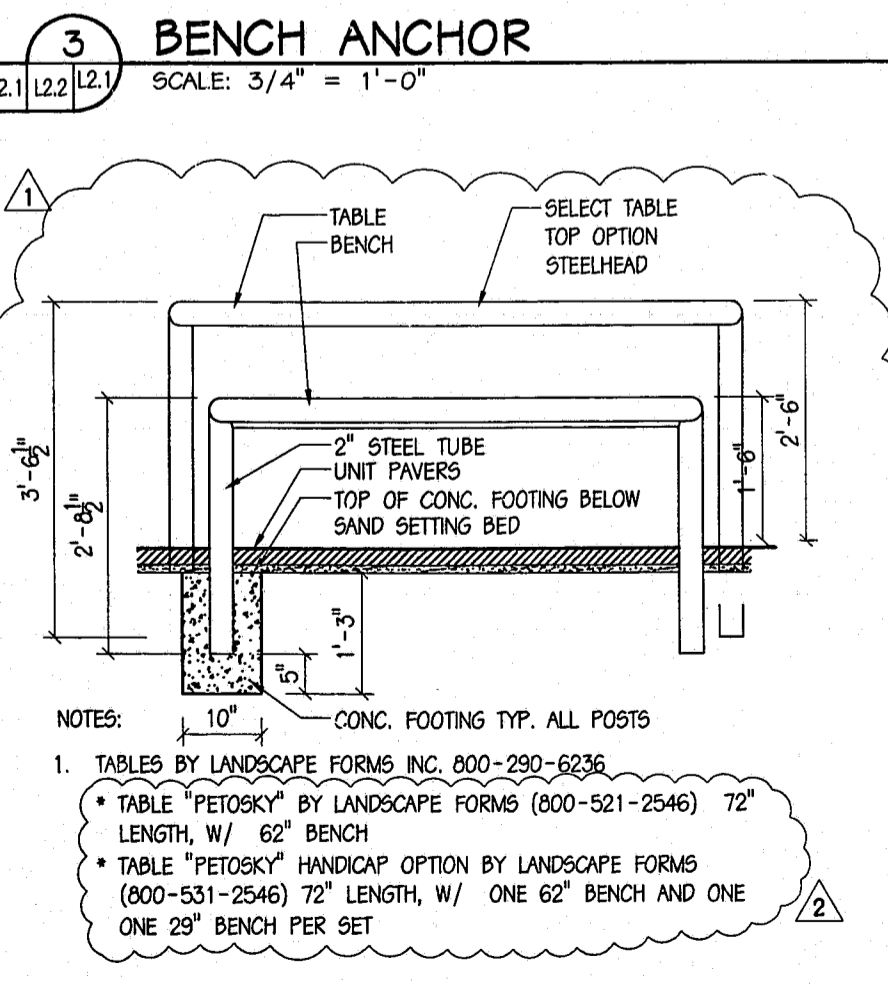
- NOTES:
- CONC. PAD SHALL BE 1' LONGER THAN TABLE ON EACH END.
 - CAROUSEL TABLE BY LANDSCAPE FORMS INC. 800-290-6236
FOUR SEAT CAROUSEL WITH BACKED SEATS
* 4 SEAT CAROUSEL WITH BACKED SEATS BY LANDSCAPE FORMS (800-521-2546)
* 3 SEAT CAROUSEL WITH BACKED SEATS BY LANDSCAPE FORMS HANDICAP OPTION (800-521-2546)
 - HANDICAP CAROUSEL TABLE MUST BE SURFACE MOUNTED ON SIDE WITH HANDICAP ACCESS.



5 LIGHT POLE ANCHOR
SCALE: 3/4" = 1'-0"



6 SECTION @ FLAG POLE
SCALE: 3/4" = 1'-0"



7 PICNIC TABLE ANCHOR
SCALE: 3/4" = 1'-0"

CMS ARCHITECTS
SUITE 200
5041 CORPORATE WOODS DRIVE
VIRGINIA BEACH, VIRGINIA 23462
(757) 222-2010

DES. MU DR. PW CHK. JJC
DATE MAR. 31, 2000

REVISIONS

1	4/07/00
2	6/1/00
4	02/15/01 T.O.C. COMMENTS

BURELL F. SAUNDERS
REGISTERED ARCHITECT
4835
VIRGINIA LICENSE NO. 14000

CENTRAL PARK AT CENTREEN
900 CENTREEN WAY
CARY, NORTH CAROLINA

ENLARGED LAYOUT PLAN & DETAILS

PROJECT NO. 99-137

L2.1
HARDSCAPE PLAN
SHEET OF