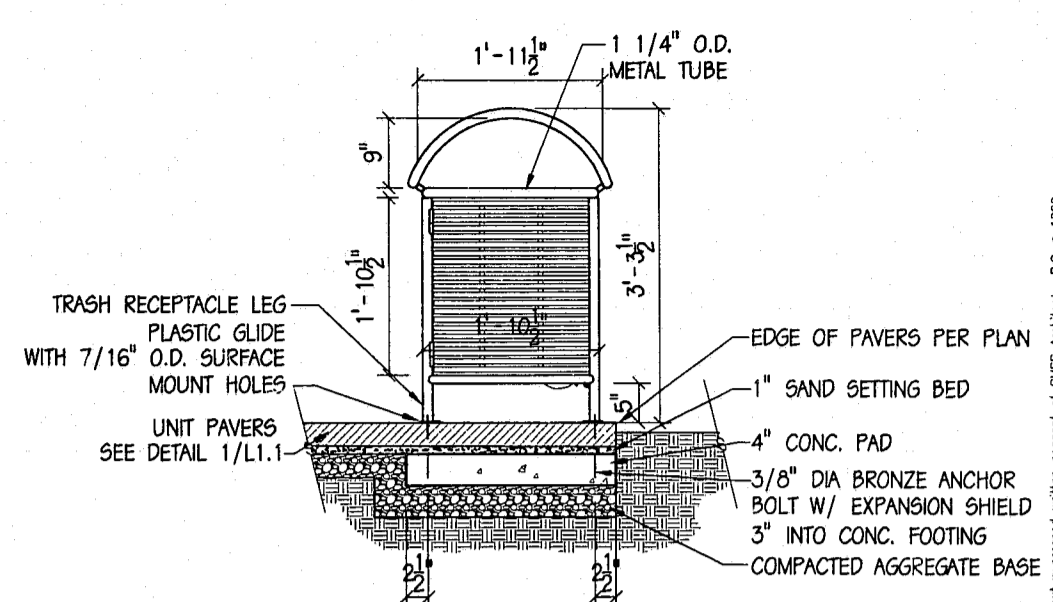


**1 ENLARGED HARDSCAPE PLAN**  
 L1.1|L2.3 SCALE: 1/8" = 1'-0"

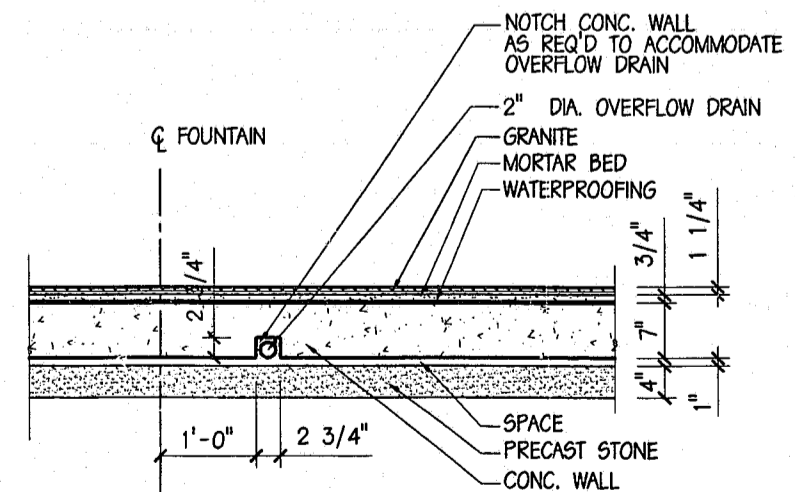
NOTE: UNLESS OTHERWISE INDICATED, ALL ITEMS REPEAT SYMMETRICALLY ABOUT CENTERLINES.



- NOTES:
- CONC. PAD SHALL BE 2' LONGER THAN BENCHES AND LITTER RECEPTACLE (1' ON EACH END)
  - BENCH AND LITTER RECEPTACLE BY LANDSCAPE FORMS INC. 800-290-6236
  - LITTER RECEPTACLE "PRESIDIO" BY LANDSCAPE FORMS (800-521-2546) SIDE OPENING LITTER RECEPTACLE

**2 LITTER RECEPTACLE ANCHOR**  
 L2.3|L2.3 SCALE: 3/4" = 1'-0"

TABLE & BENCHES, MANUFACTURED BY LANDSCAPE FORMS, TABLE # PK4005-32-72, FULL BENCH # PK3005-F5-62, SHORT BENCH # PK3005-F5-29, COLOR OF ALL SHALL BE GROTTO.



**3 FOUNTAIN OVERFLOW DRAIN (SIMILAR OPPOSITE END)**  
 L2.2|L2.3 3/4" = 1'-0"



SUITE 200  
 5041 CORPORATE WOODS DRIVE  
 VIRGINIA BEACH, VIRGINIA 23462  
 (757) 222-2010

DES. MU, DR. PW, CHK. JJC  
 DATE MAR. 31, 2000

REVISIONS	
1	4/07/00
2	6/1/00



**CENTRAL PARK AT CENTREGREEN**  
 900 CENTREGREEN WAY  
 CARY, NORTH CAROLINA

**ENLARGED LAYOUT PLAN & DETAILS**

PROJECT NO. 99-137

**L2.3**  
 HARDSCAPE PLAN  
 SHEET OF