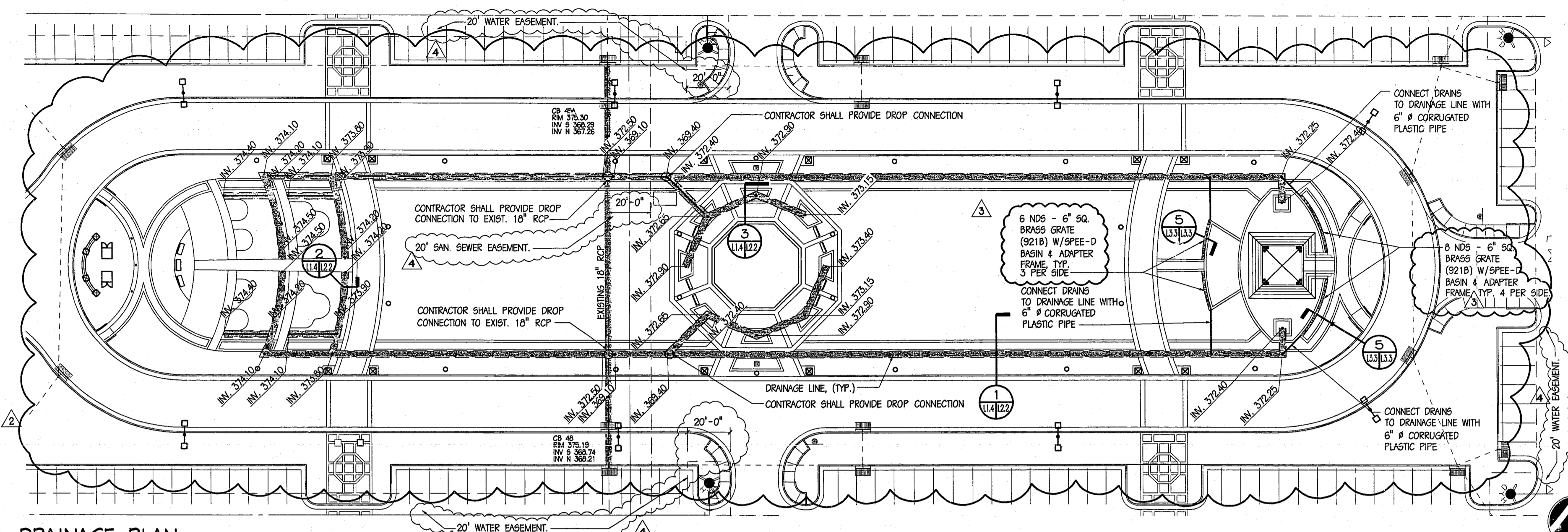
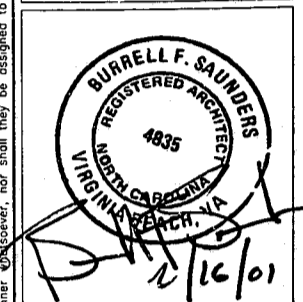
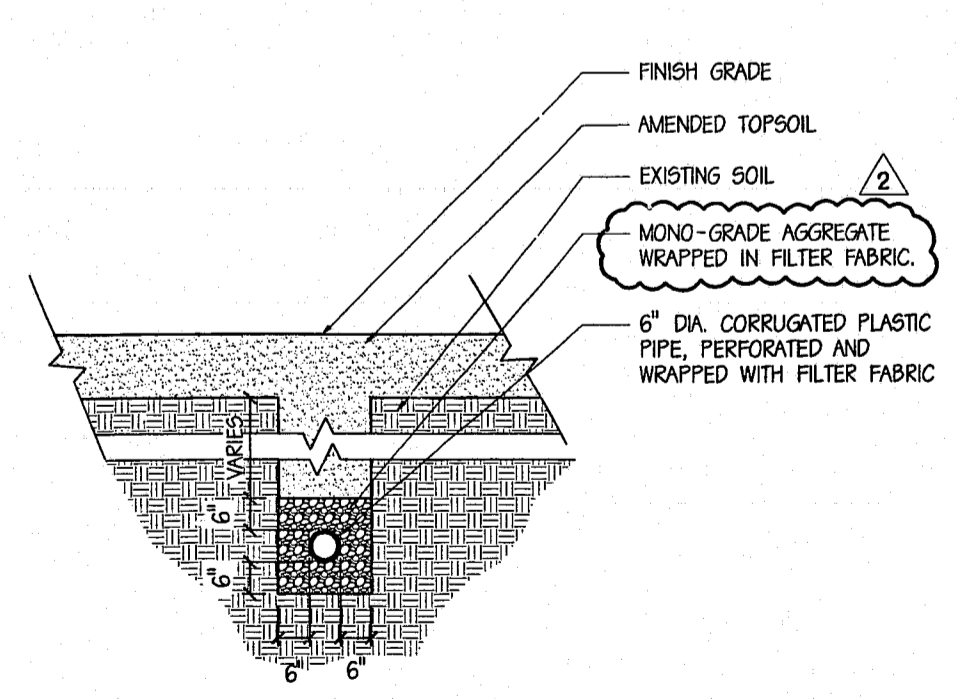


REVISIONS

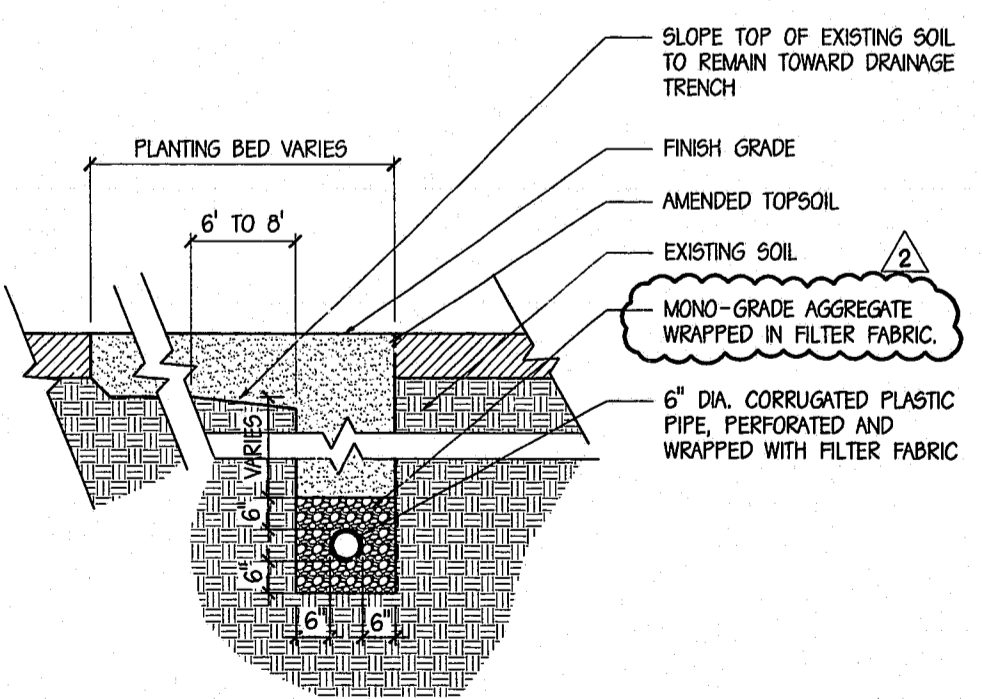
1	4/7/00	ENTIRE SHEET
2	4/20/00	
3	6/1/00	
4	02/15/01	T.O.C. COMMENTS



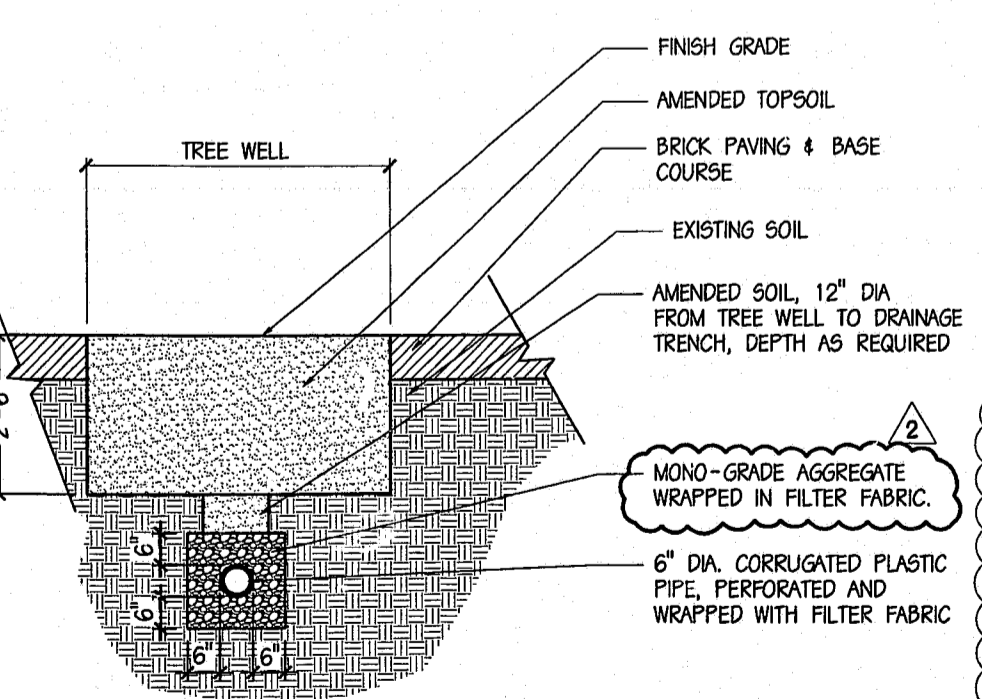
1 DRAINAGE PLAN
SCALE: 1" = 25'



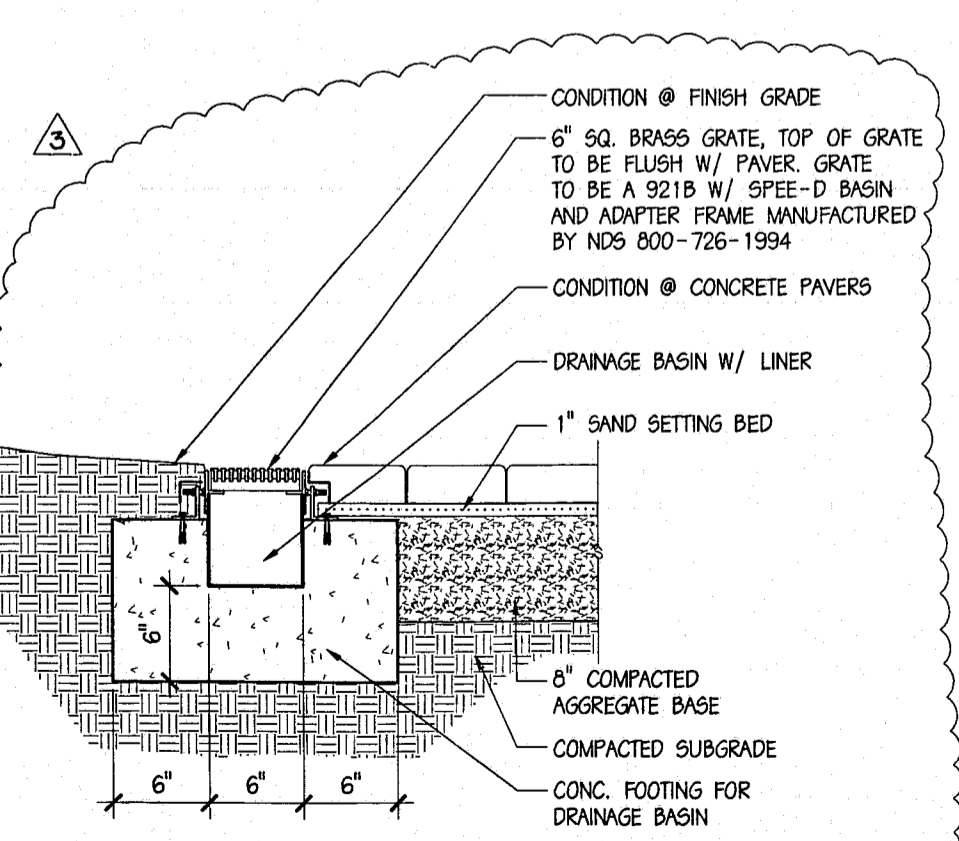
2 DRAINAGE LINE SECTION (N.I.C.)
SCALE: 1/2" = 1'-0"



3 DRAINAGE LINE AT PLANTING BED (N.I.C.)
SCALE: 1/2" = 1'-0"



4 DRAINAGE LINE AT TREE WELL (N.I.C.)
SCALE: 1/2" = 1'-0"



5 BASIN DRAIN
SCALE: 1 1/2" = 1'-0"

CENTRAL PARK AT CENTREGREEN
CARY, NORTH CAROLINA
900 CENTREGREEN WAY

PROJECT NO. 99-137

L3.3
HARDSCAPE PLAN
SHEET OF

CMSIS Architects, P.C. hereby certifies that the design, concepts, and drawings presented in this document, and any related documents, were prepared by or under the direct supervision and control of a duly licensed professional architect or engineer, and that the designer is duly licensed in the State of Virginia.