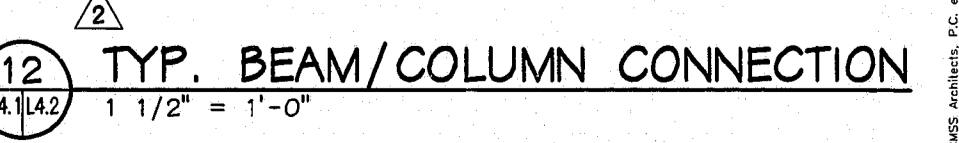
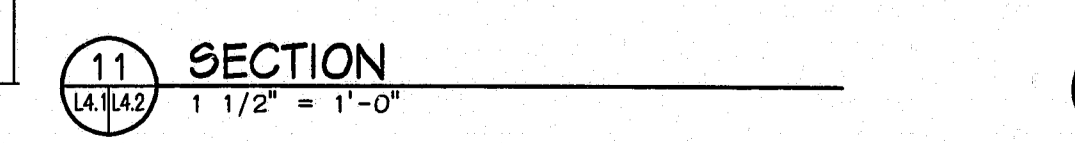
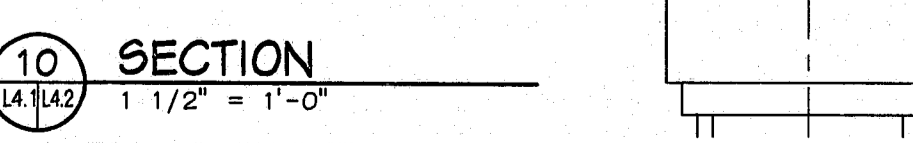
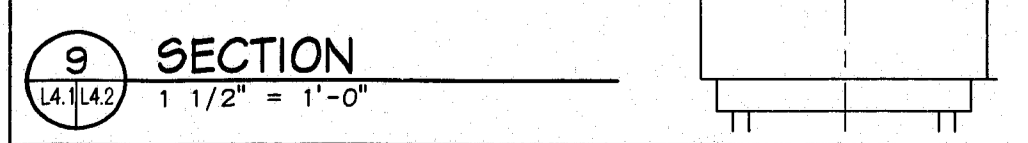
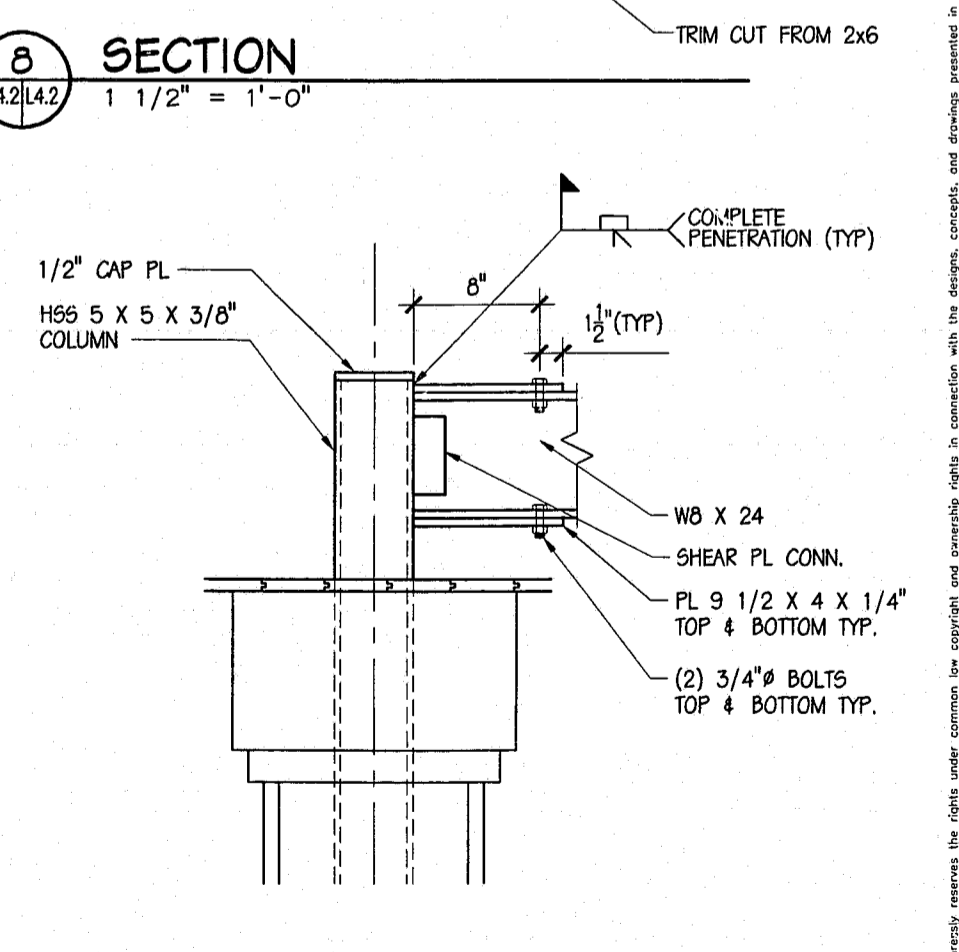
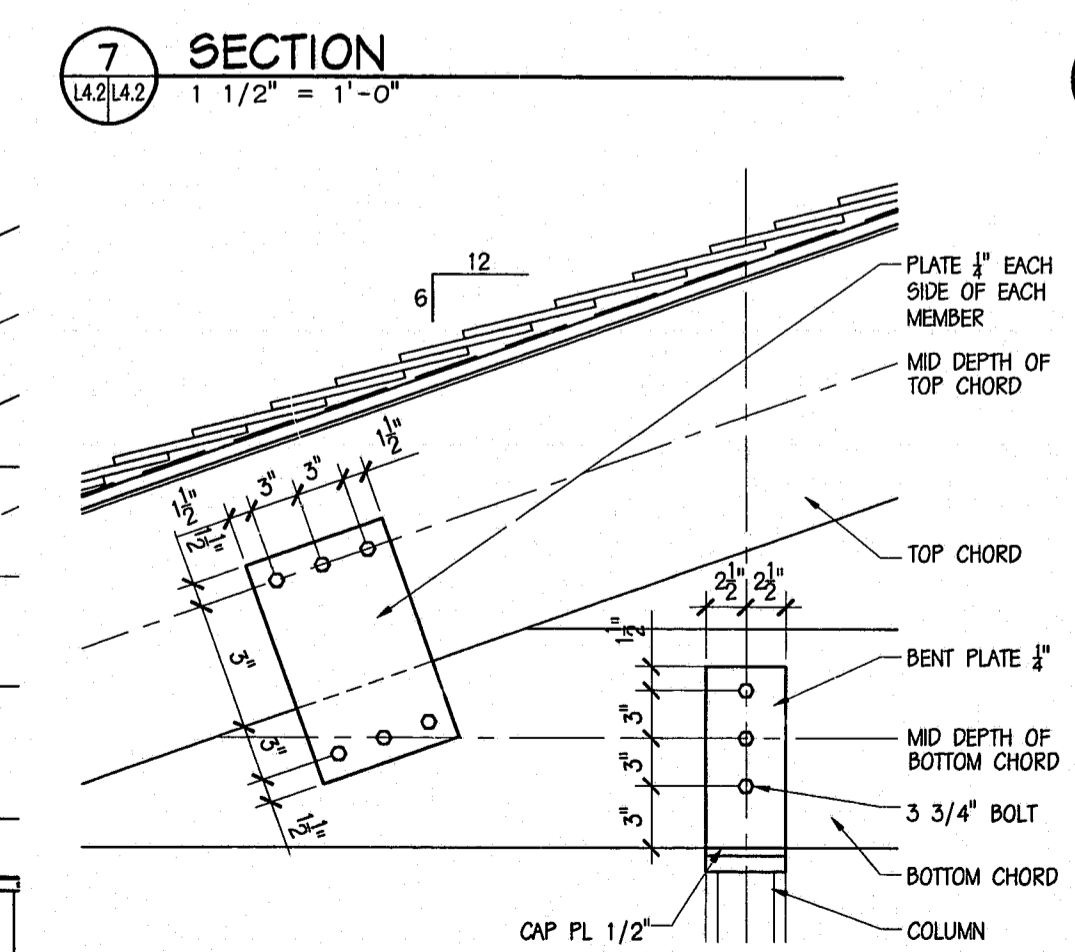
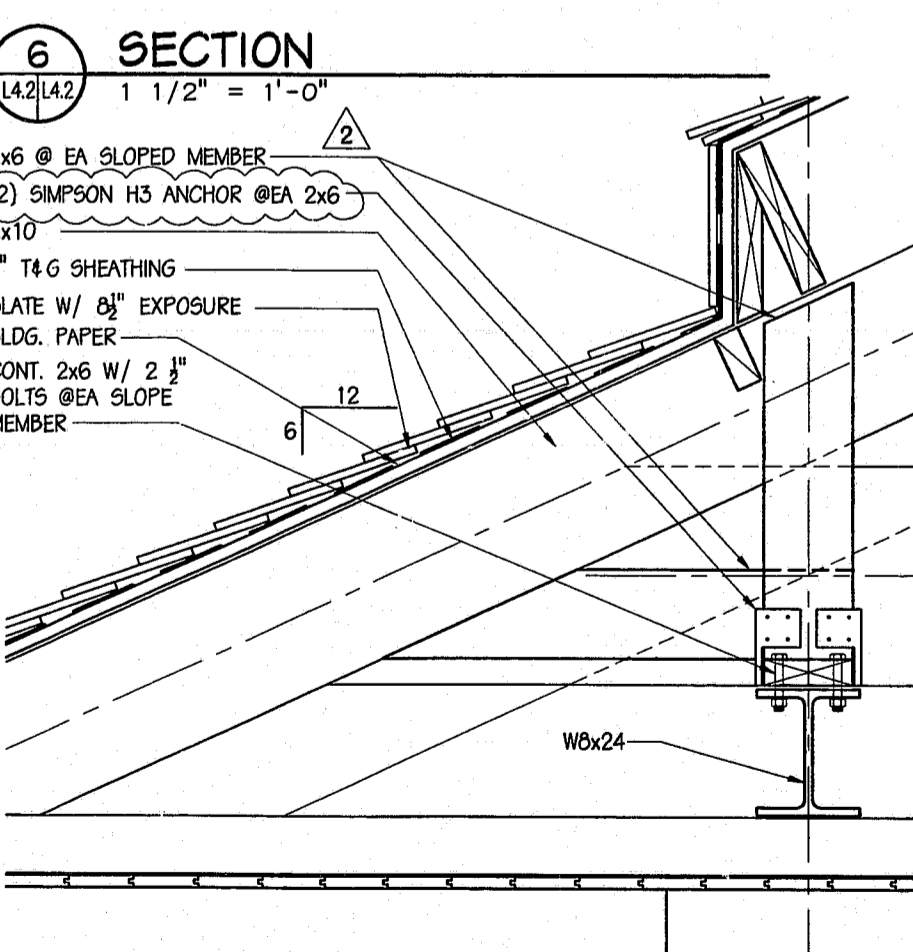
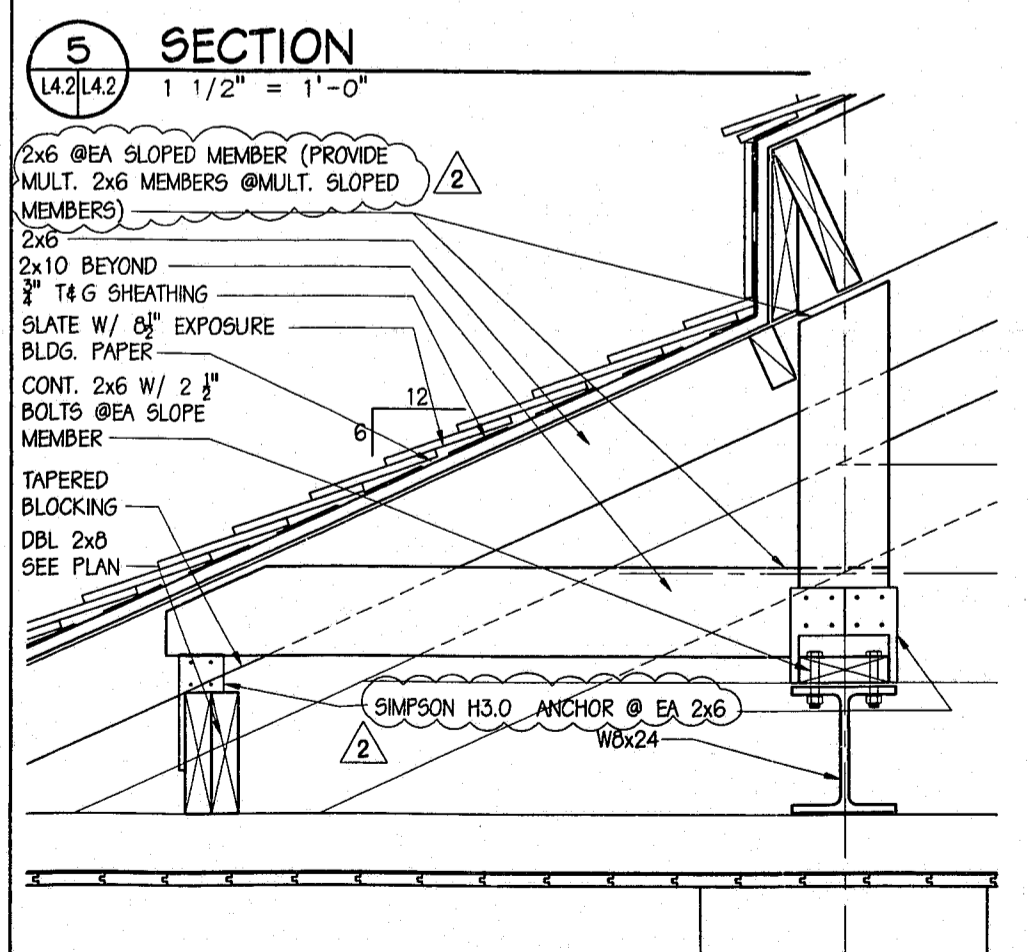
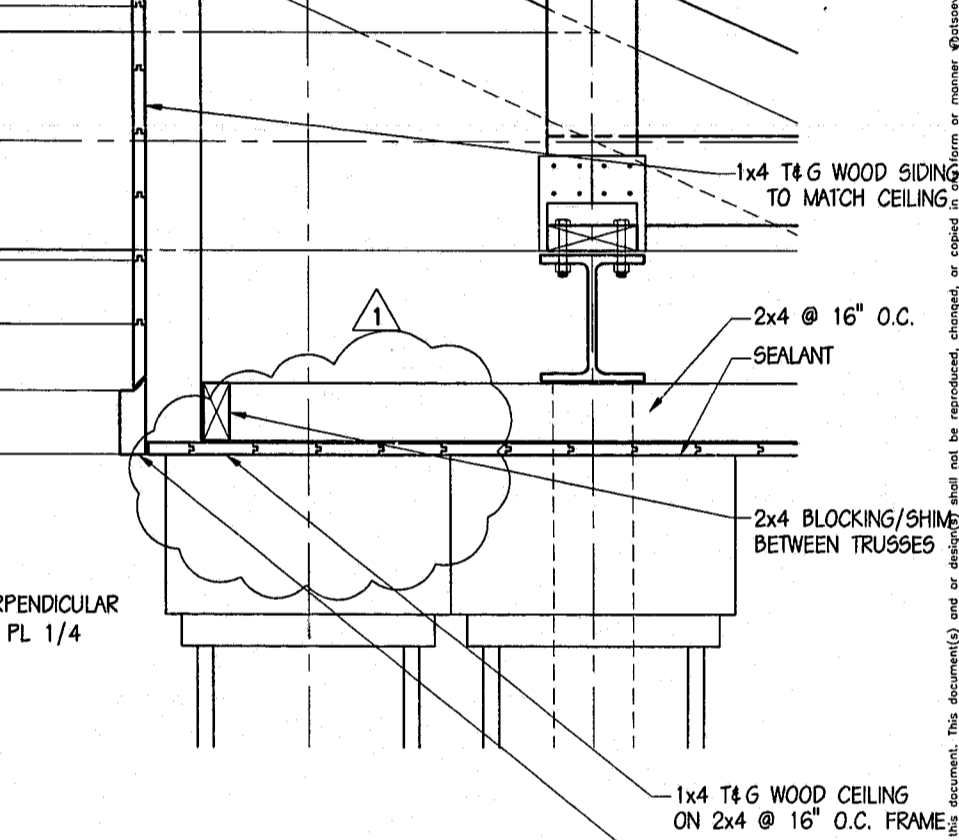
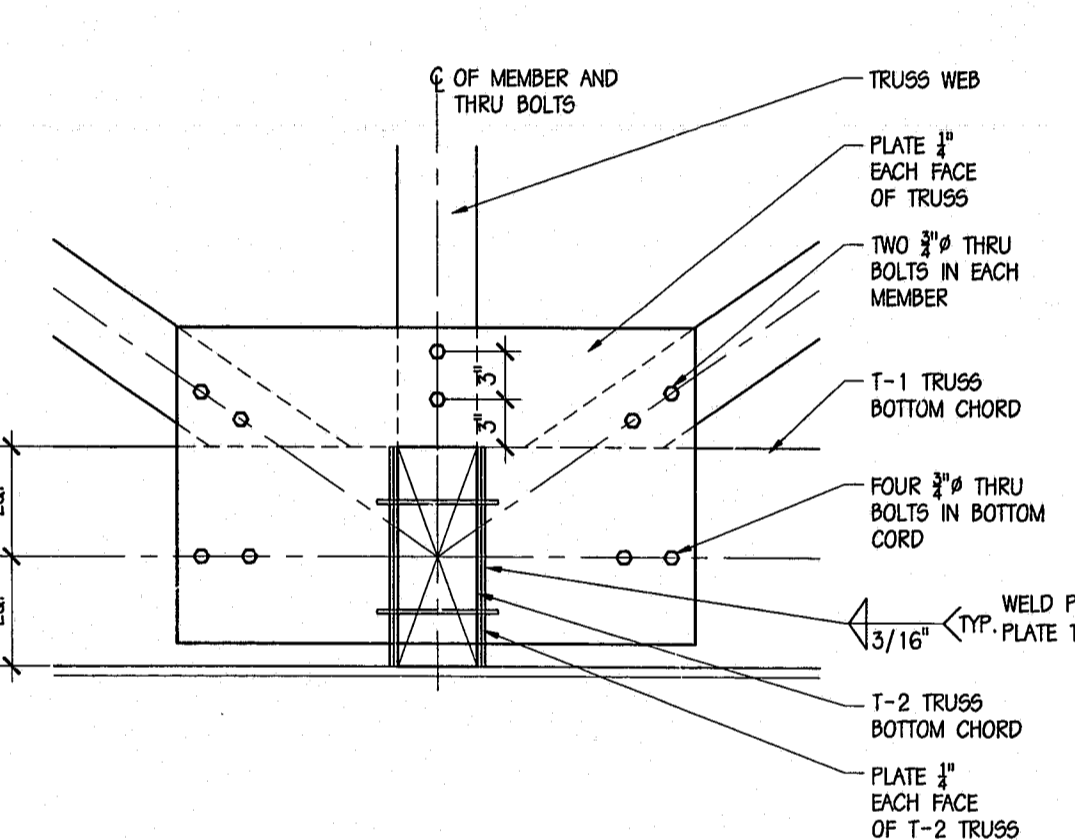
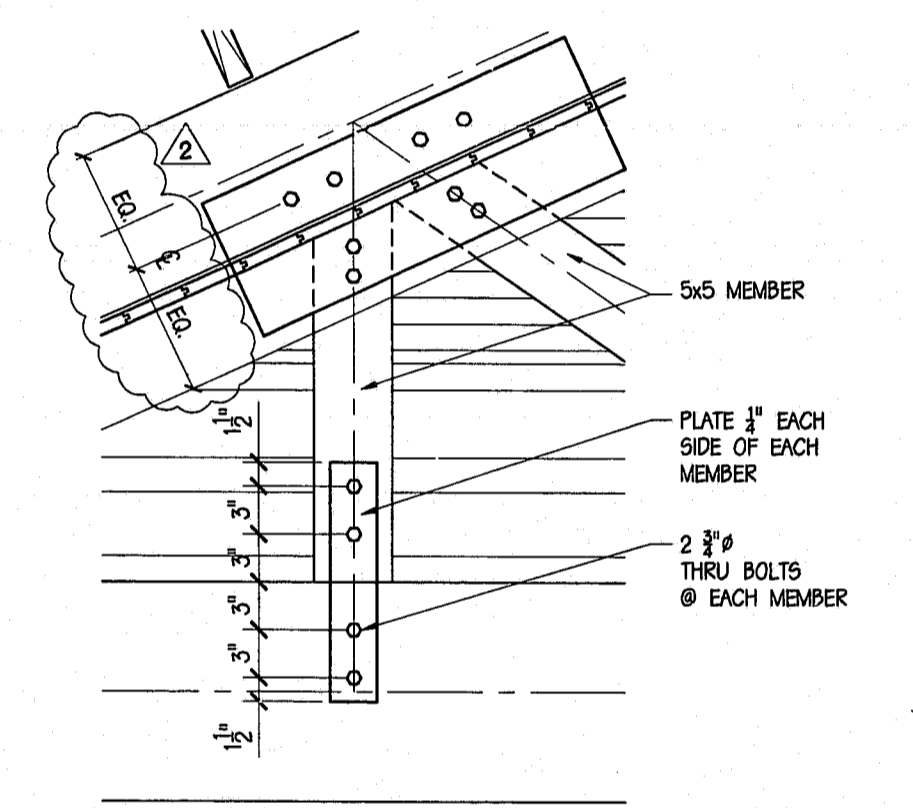
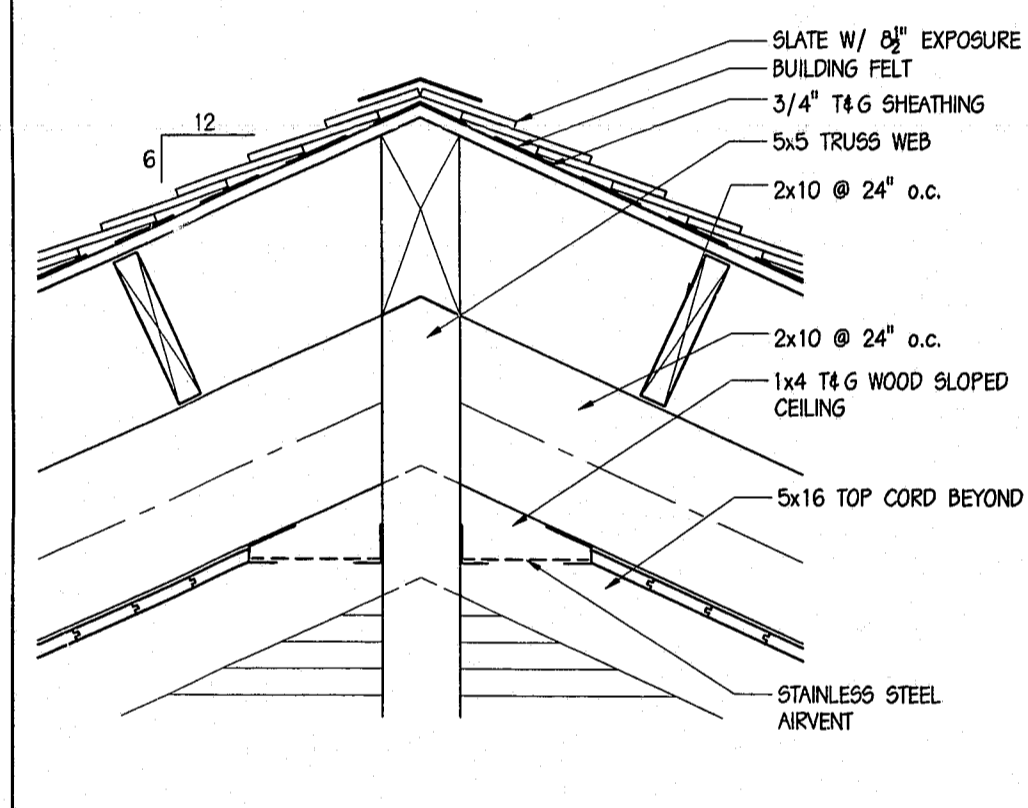
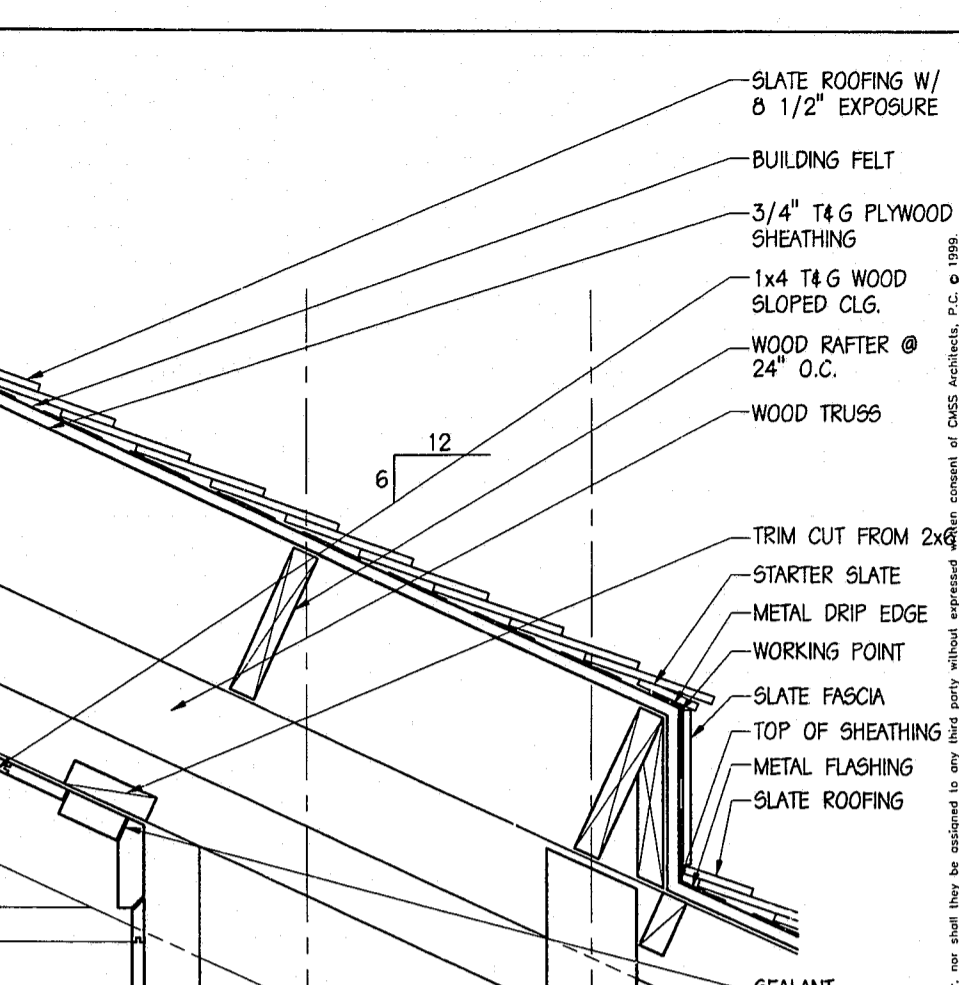
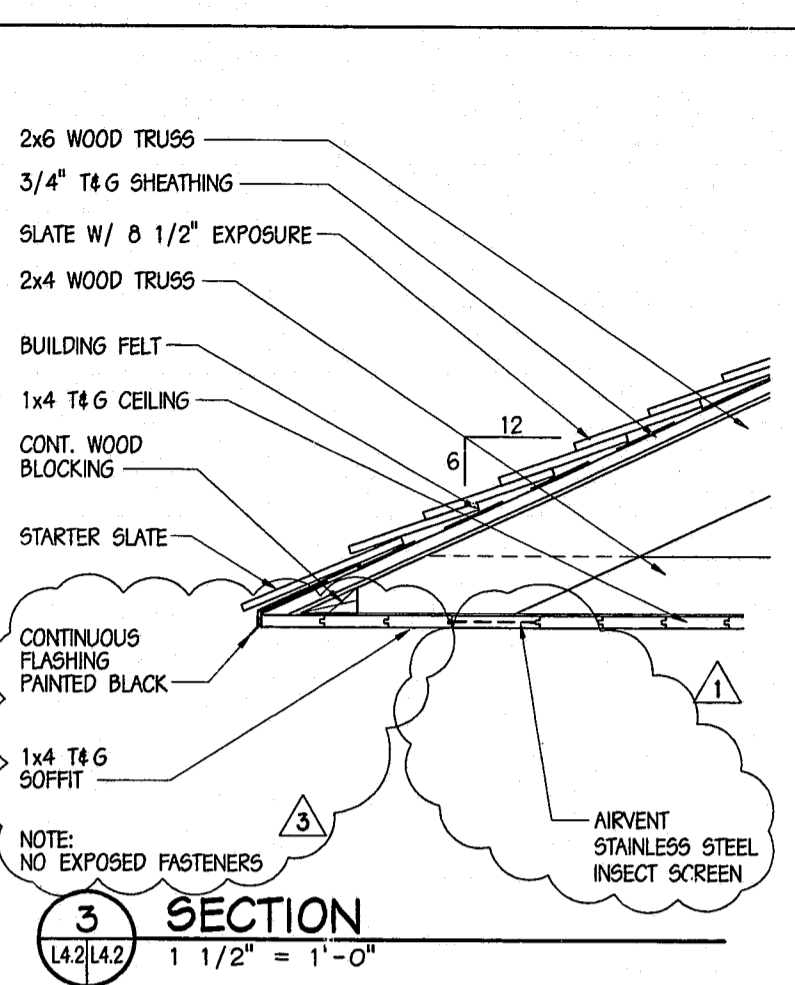
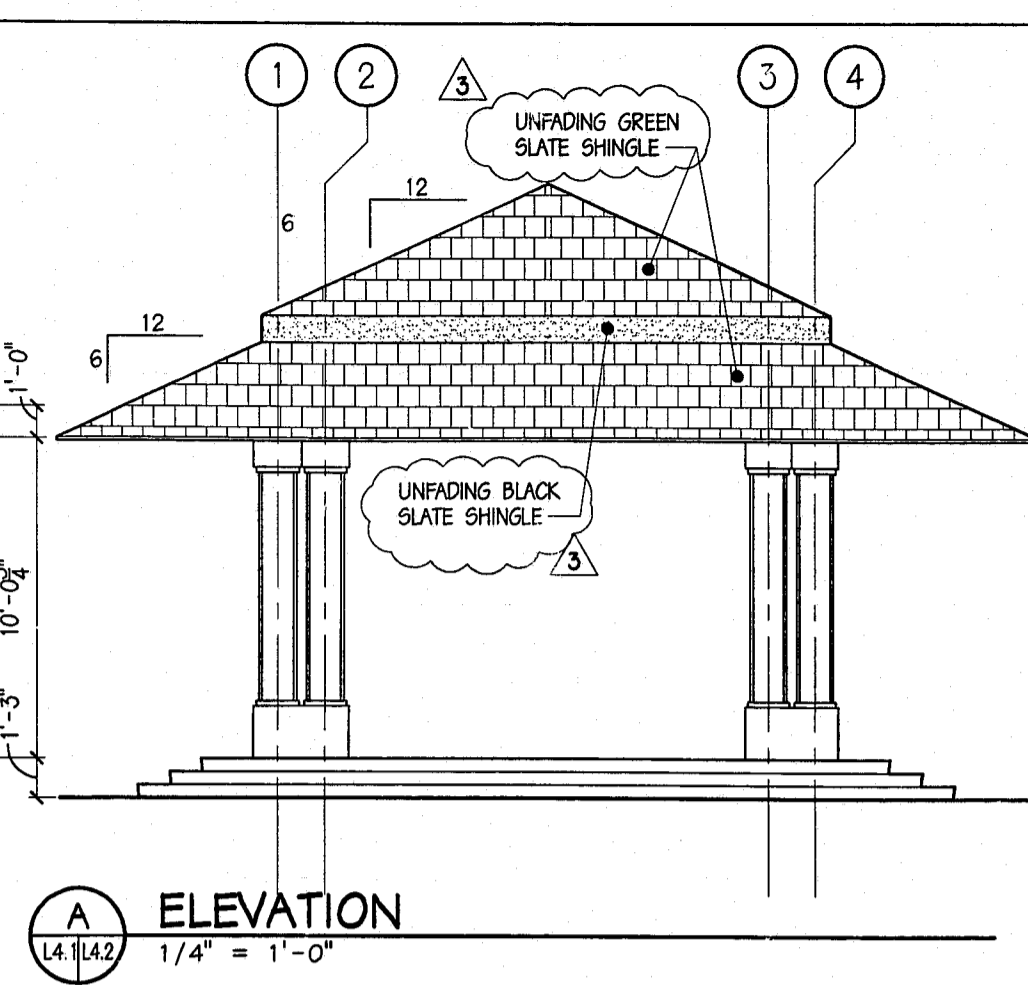
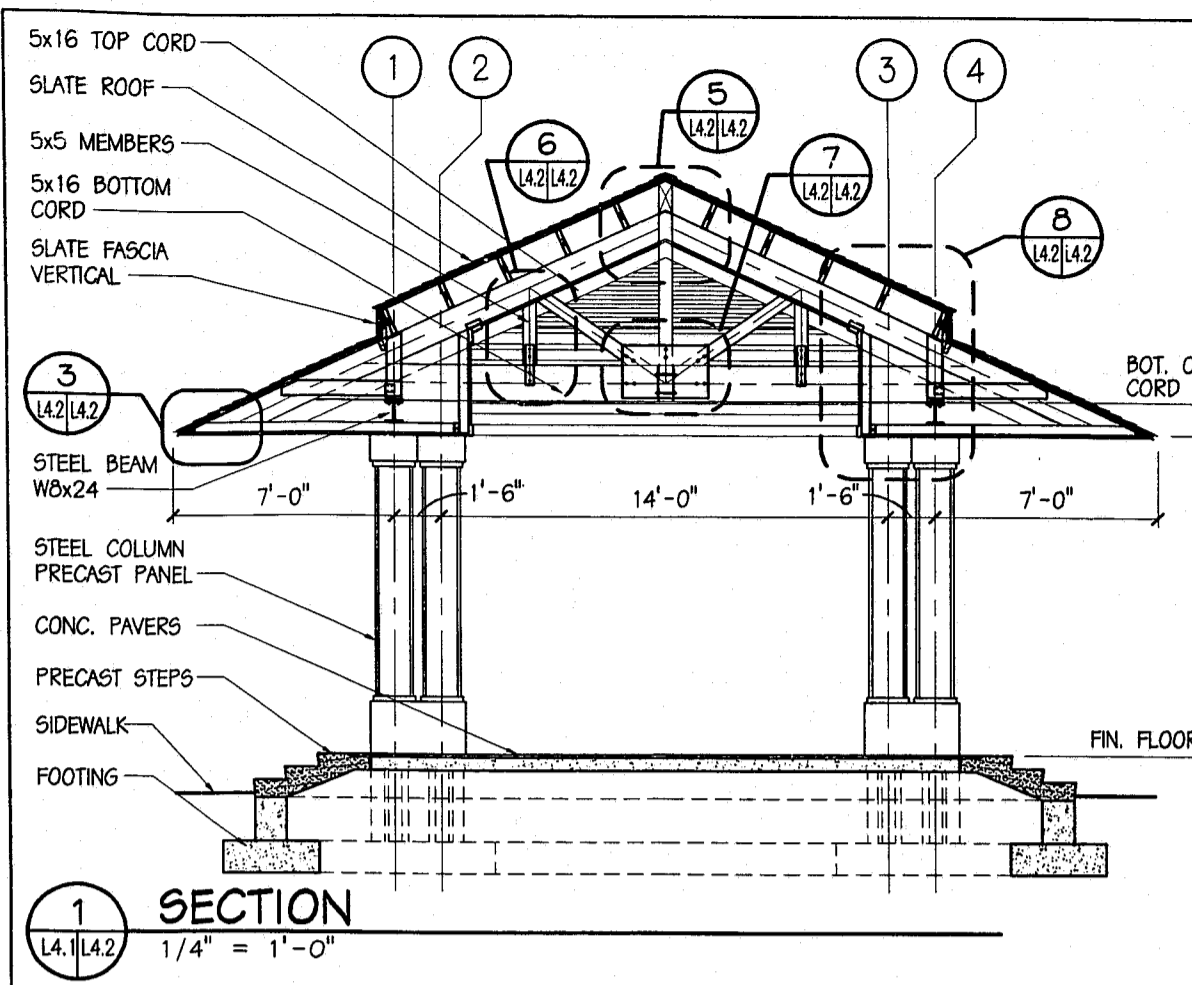
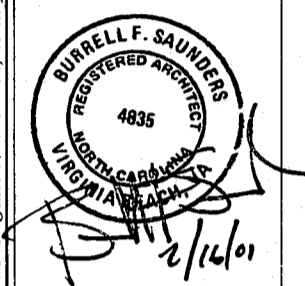


REVISIONS

1	4/07/00
2	5/22/00
3	6/1/00



CENTRAL PARK AT CENTREGREEN  
CARY, NORTH CAROLINA  
900 CENTREGREEN WAY

PICNIC SHELTER SECTIONS

PROJECT NO. 99-137

L4.2  
HARDSCAPE PLAN  
SHEET OF