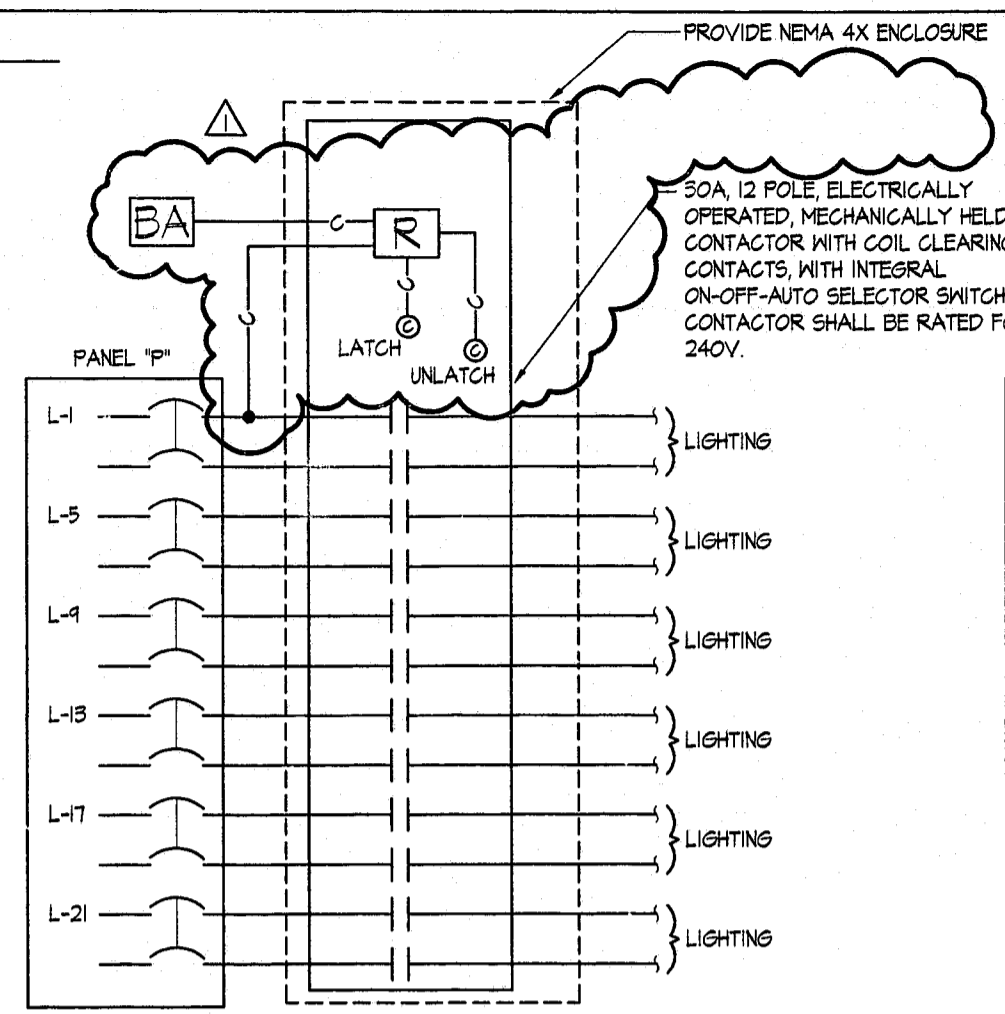


LEGEND

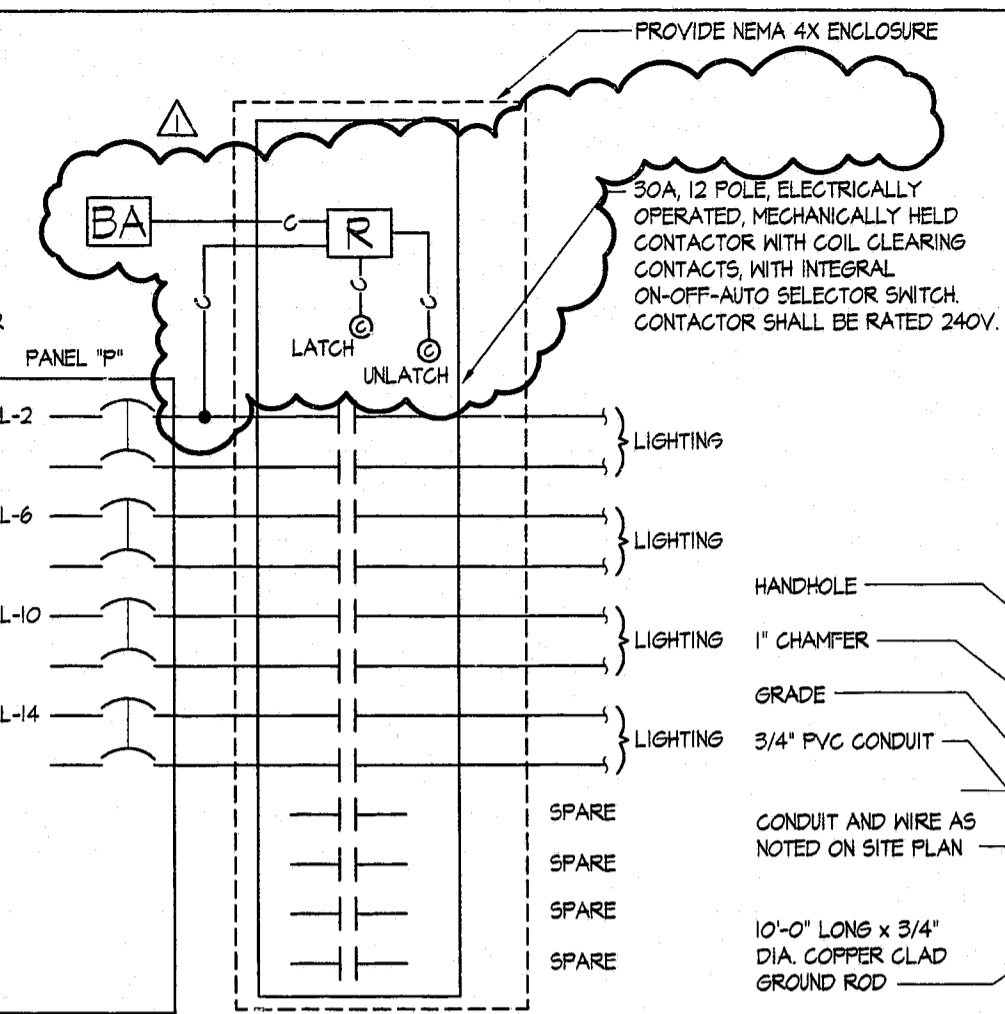
- H.I.D. SITE LIGHTING FIXTURE
- ⊗ POST TOP H.I.D. SITE LIGHTING FIXTURE
- △ FLOOD LIGHT, COORDINATE FINAL AIMING IN FIELD WITH OWNER.
- △ LIGHTING FIXTURE TYPE SYMBOL. SEE LIGHTING FIXTURE SCHEDULE.
- S SINGLE POLE SWITCH, 20A, 120/2TTV, 48" AFF UON
- ⊕ DUPLEX CONVENIENCE RECEPTACLE 20A, 120V, 18" AFF UON
- WP ⊕ DUPLEX GFI RECEPTACLE 20A, 120V W/ WEATHERPROOF COVER, 18" ABOVE GRADE, UON
- ⊕ SITE RECEPTACLE. PROVIDE (2) DUPLEX RECEPTACLES AND (1) 208V RECEPTACLE ON PEDESTAL. SEE "SITE RECEPTACLE DETAIL."
- ⊕ EQUIPMENT CONNECTION
- ⊕ JUNCTION BOX
- ⊕ MOTOR CONNECTION
- ⊕ ELECTRICAL PANELBOARD, 120/208V, 3 PHASE, 4 WIRE, UON
- ⊕ PAD MOUNTED TRANSFORMER
- FRONT
- AND ELECTRICAL CIRCUIT RUN IN CONDUIT AND CIRCUIT HOMERUN TO PANELBOARD (PANEL AND CIRCUIT DESIGNATION AS INDICATED). AS A MINIMUM CONDITION, EACH SINGLE PHASE CIRCUIT SHALL HAVE 1 #12 PHASE CONDUCTOR, 1 #12 NEUTRAL CONDUCTOR AND 1 #12 GROUNDING CONDUCTOR (PLUS 1 #12 INSULATED, ISOLATED GROUNDING CONDUCTOR WHEN SERVING ISOLATED GROUND TYPE DEVICES) IN 1/2" CONDUIT. PROVIDE ADDITIONAL PHASE CONDUCTORS AS REQUIRED FOR "MULTIPLE PHASED" ELECTRICAL LOADS. PROVIDE ADDITIONAL "SWITCH LEGS" CONDUCTORS TO PROVIDE THE LIGHT FIXTURE CONTROL INDICATED. MULTIPLE SINGLE PHASE CONDUCTORS SHALL BE GROUPED TOGETHER IN A COMMON CONDUIT IN ACCORDANCE WITH THE NEC AND AT THE CONTRACTOR'S DISCRETION. NEUTRAL AND GROUNDING CONDUCTORS SHALL BE SHARED AS ALLOWED BY THE NEC. CONDUIT LARGER THAN 1/2" AND CONDUCTORS LARGER THAN #12 SHALL BE AS INDICATED.
- UL UNDERGROUND LIGHTING CIRCUIT IN 1" C. MIN. 24" BELOW GRADE.
- UP UNDERGROUND PRIMARY CIRCUIT
- UE UNDERGROUND ELECTRICAL CIRCUIT IN 1" C. MINIMUM, 24" BELOW FINISHED GRADE, UON.
- US UNDERGROUND SECONDARY CIRCUIT
- ⊕ RELAY WITH HOA SWITCH - PROVIDED BY OWNER'S BUILDING AUTOMATION SYSTEM VENDOR.
- ⊕ CONTROL/POWER WIRING PROVIDED BY OWNER'S BUILDING AUTOMATION SYSTEM VENDOR.
- ⊕ BUILDING AUTOMATION SYSTEM CONTROL PANEL - PROVIDED BY OWNER'S BUILDING AUTOMATION SYSTEM VENDOR.

ABBREVIATIONS

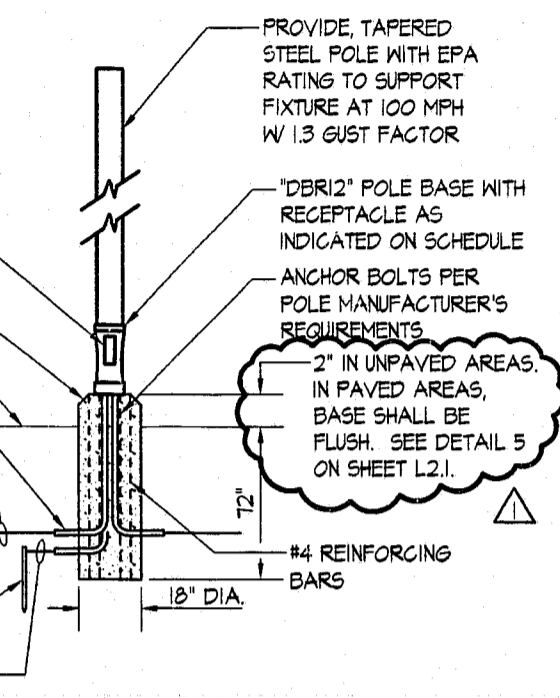
- A AMPERE
- AFF ABOVE FINISHED FLOOR
- AFG ABOVE FINISHED GRADE
- C CONDUIT
- CKT CIRCUIT
- CP#L LOCAL POWER CO.
- CB CIRCUIT BREAKER
- EC EMPTY CONDUIT
- EQUIP EQUIPMENT
- GFI GROUND FAULT INTERRUPTER
- GND GROUND
- HID HIGH INTENSITY DISCHARGE
- KVA KILO-VOLT-AMPERES
- KW KILO-WATTS
- LTG LIGHTING
- MCB MAIN CIRCUIT BREAKER
- MFR MANUFACTURER
- MLO MAIN LUGS ONLY
- MTD MOUNTED
- NEC NATIONAL ELECTRICAL CODE
- NIC NOT IN CONTRACT
- NTS NOT TO SCALE
- PNL PANEL
- PNLBD PANELBOARD
- φ PHASE
- P POLE
- RECEPT RECEPTACLE
- REQ'D REQUIRED
- UON UNLESS OTHERWISE NOTED
- V VOLTS
- WP WEATHERPROOF



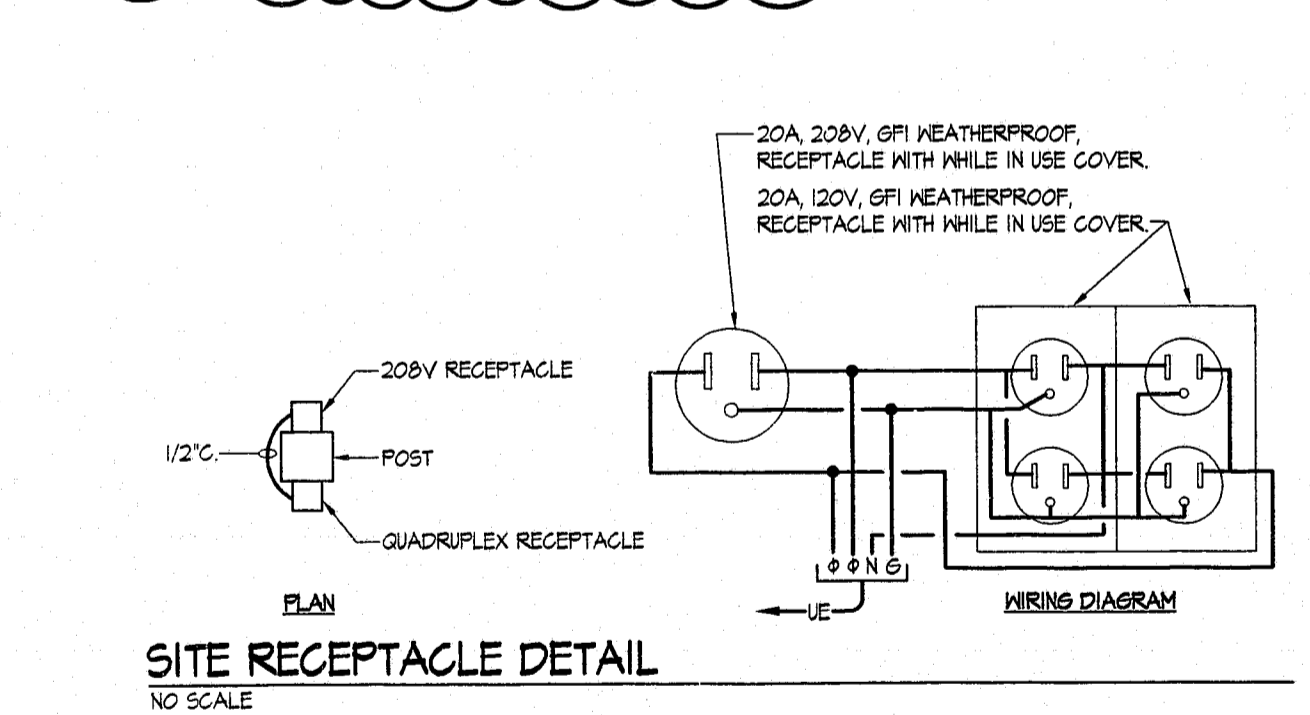
EXTERIOR LIGHTING CONTROL DIAGRAM - ROAD LIGHTING
NO SCALE



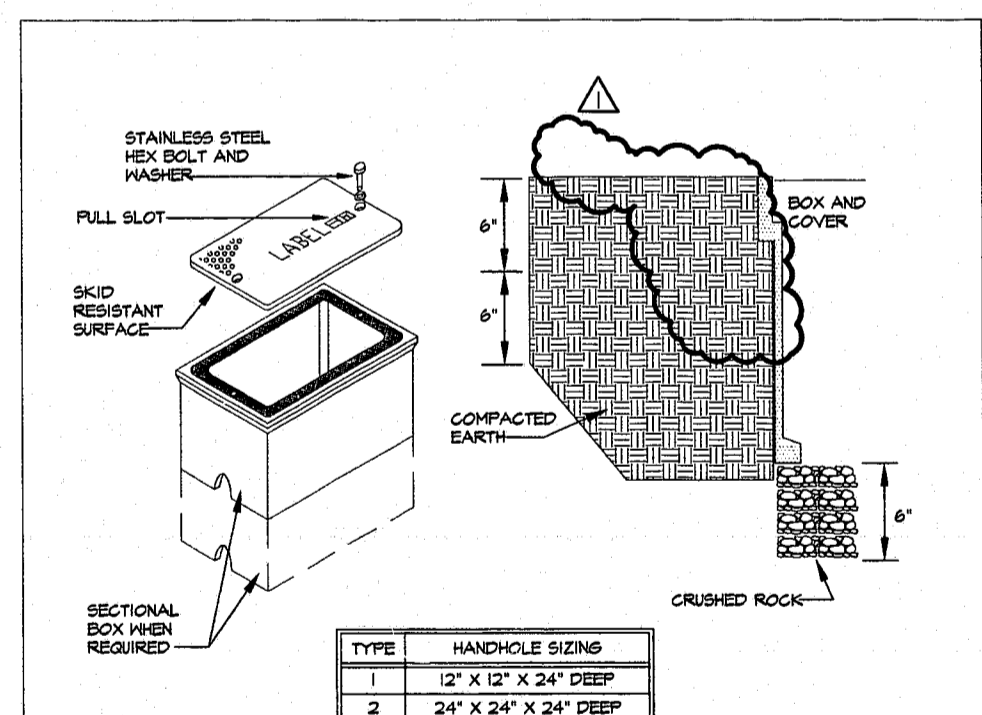
EXTERIOR LIGHTING CONTROL DIAGRAM - PARK LIGHTING
NO SCALE



TYPICAL POLE BASE DETAIL
NO SCALE

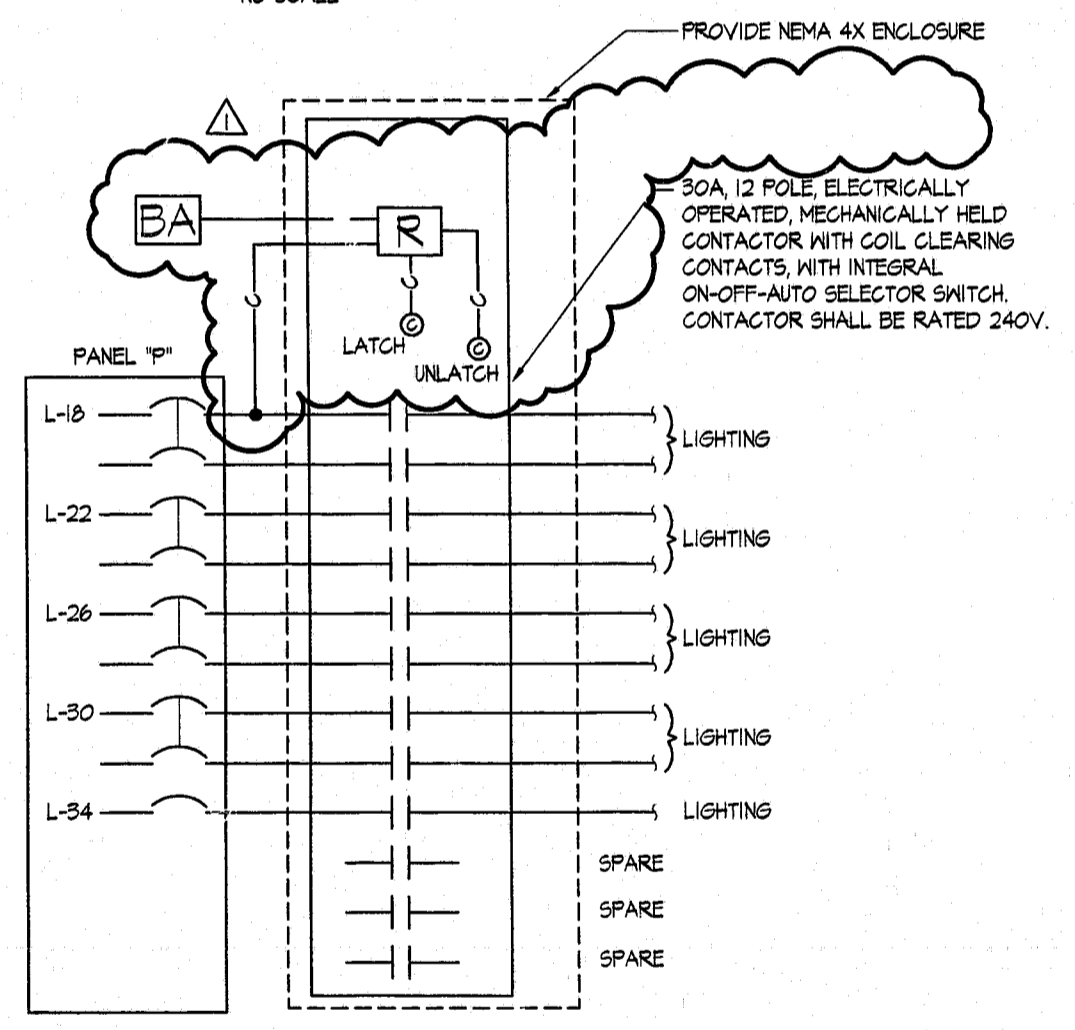


SITE RECEPTACLE DETAIL
NO SCALE

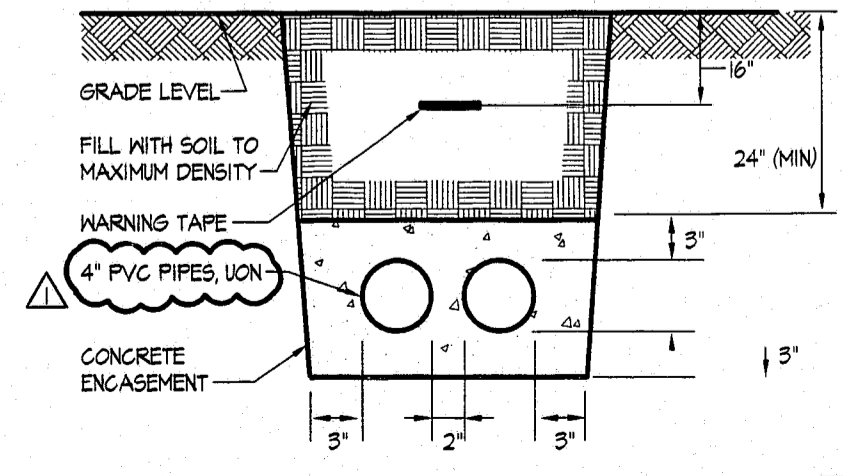


- HANDHOLE REQUIREMENTS**
- HOUSING SHALL BE A POLYMER CONCRETE REINFORCED WITH A HEAVY WEAVE FIBERGLASS REINFORCING WITH COMPRESSIVE STRENGTH OF NO LESS THAN 10,000 PSI.
 - COVER AND BOX SHALL WITHSTAND A SERVICE LOAD OF NO LESS THAN 15,000 LBS OVER A 10' x 10' AREA.
 - PROVIDE STAINLESS STEEL BOLTS AND INSERTS.
 - PROVIDE WITH (2) 2 1/2" MOUSEHOLES.
 - PROVIDE LABEL "ELECTRICAL" FOR POWER HANDHOLES OR "TELEPHONE" FOR TELEPHONE HANDHOLES.

STANDARD ELECTRICAL HANDHOLE (NONTRAFFIC) (COMPOSITE/FIBERGLASS)



EXTERIOR LIGHTING CONTROL DIAGRAM - DECOR LIGHTING
NO SCALE



"2 WAY" DUCTBANK DETAIL
NO SCALE

LIGHTING FIXTURE SCHEDULE				
TYPE	DESCRIPTION	LAMPS	VOLTS	MOUNTING/REMARKS
△	ROADWAY LIGHT-TWO FIXTURES AAL "PRM2 H3" SERIES	(2) 400W MH	208	MOUNT ON POLE. PROVIDE AAL DBI2 25' POLE, CONCRETE BASE AND (2) AAL TRASD ARMS. COORDINATE WITH MANUFACTURER.
△	ROADWAY LIGHT-SINGLE FIXTURE AAL "PRM2 H3" SERIES	(1) 400W MH	208	MOUNT ON POLE. PROVIDE AAL DBI2 25' POLE, CONCRETE BASE AND (2) AAL TRASD ARMS. COORDINATE WITH MANUFACTURER.
△	PARK LIGHTS AAL "PRM V3" SERIES	(1) 150W MH	208	MOUNT ON POLE. PROVIDE AAL DBI2 12' POLE WITH RECEPTACLE AND CONCRETE BASE. COORDINATE WITH MANUFACTURER. PROVIDE BREAK AWAY BANNER ARM SETS AND MOUNT ON POLE.
△	FLOODLIGHT KIM "AFL" SERIES	(1) 175W MH	208	MOUNT ON STANCHION CONCRETE BASE. COORDINATE WITH MANUFACTURER.
△	FLOODLIGHT FLAGPOLE KIM "LTVIO" SERIES	(1) 175W MH	208	RECESSED, GRADE. PROVIDE WET LABEL. △
△	UP LIGHT KIM "LTV750" SERIES	(1) 70W MH	120	RECESSED, GRADE PROVIDE ROCK GUARD AND COATED LAMP. PROVIDE WET LABEL.
△	DOWNLIGHT FRESCOLITE "91M5" SERIES	(1) 100W MH	120	RECESSED, CEILING PROVIDE WITH SLOPED CEILING ADAPTER AS REQUIRED. PROVIDE DAMP LABEL. PROVIDE FLUSH PRISMATIC LENS.

