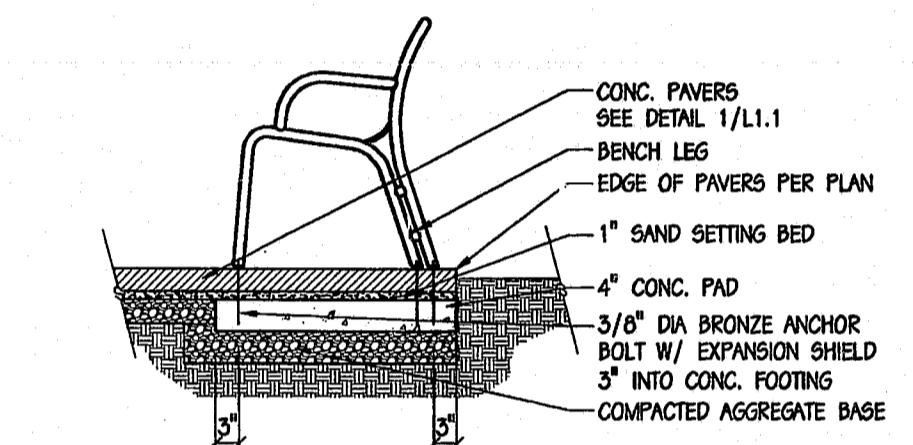
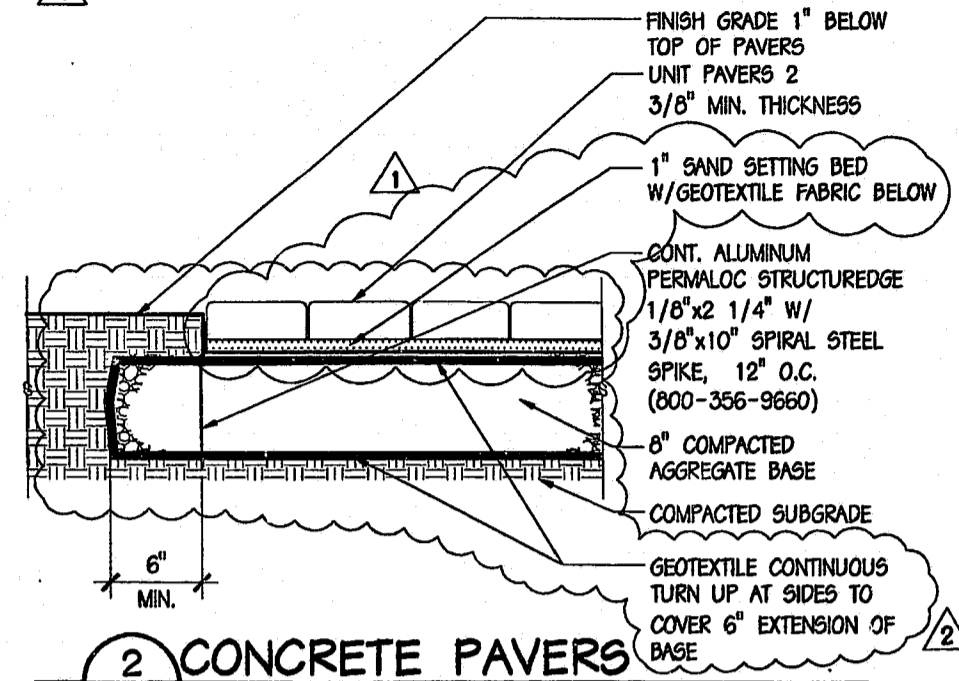
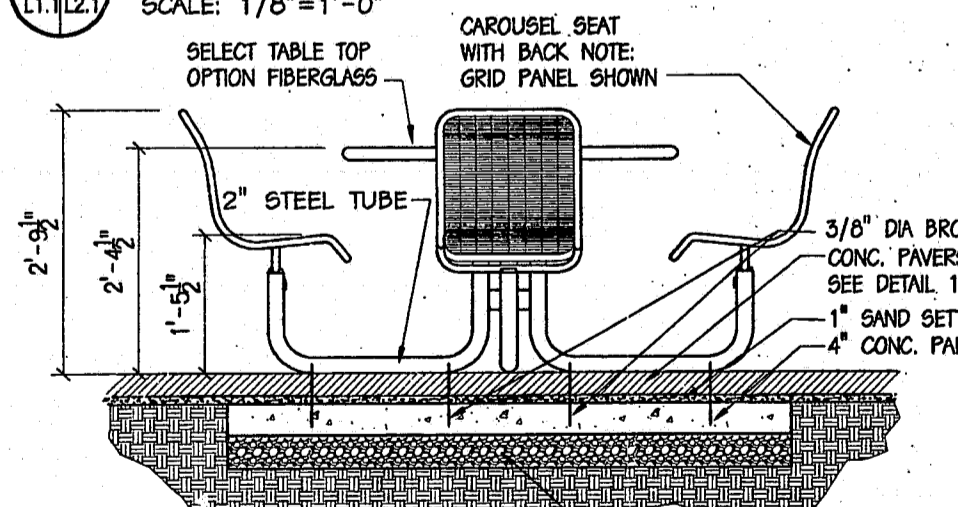


NOTE: OWNER IS AWARE THAT THE TOWN OF CARY WILL NOT REPAIR/REPLACE DECORATIVE PAVEMENT IN A UTILITY EASEMENT DAMAGED BY UTILITY MAINTENANCE.



- NOTES:
1. CONC. PAD SHALL BE 2' LONGER THAN BENCHES AND LITTER RECEPTACLE (1' ON EACH END)
 2. BENCH AND LITTER RECEPTACLE BY LANDSCAPE FORMS INC. 800-290-6236
 - * BENCH "MANISTEE" BY LANDSCAPE FORMS (800-521-2546) 72" LENGTH, W/ BACK & ARM RESTS (56 TOTAL)
 - * LITTER RECEPTACLE "PRESIDIO" BY LANDSCAPE FORMS (800-521-2546) SIDE OPENING LITTER RECEPTACLE

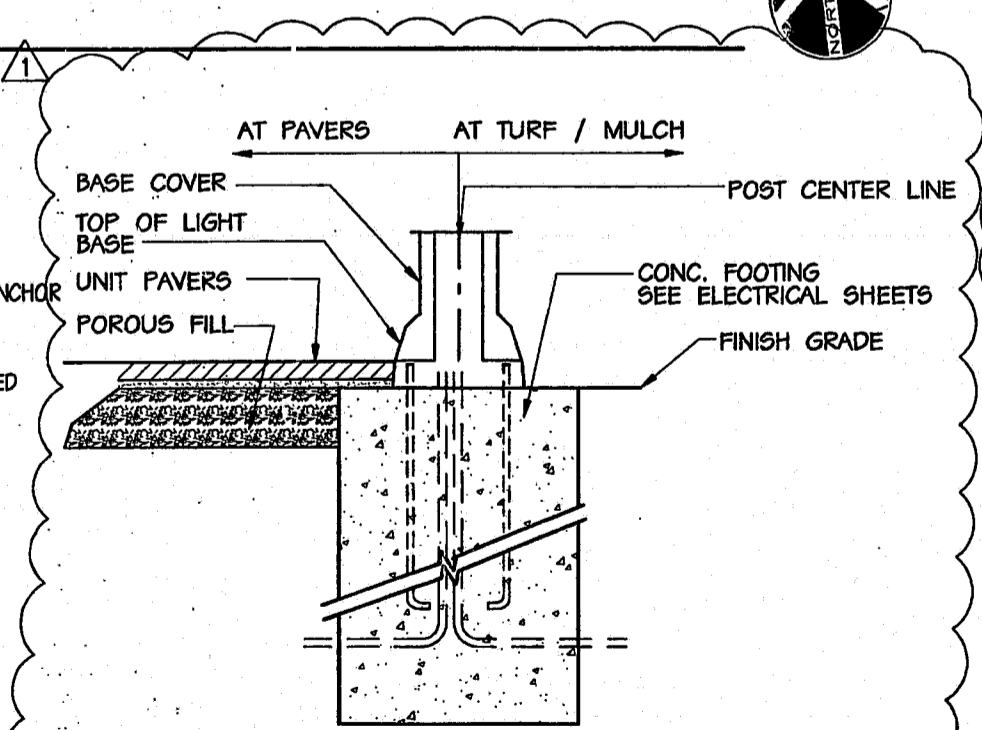
1 ENLARGED PICNIC SHELTER PLAN
SCALE: 1/8" = 1'-0"



- NOTES:
1. CONC. PAD SHALL BE 1' LONGER THAN TABLE ON EACH END.
 2. CAROUSEL TABLE BY LANDSCAPE FORMS INC. 800-290-6236
FOUR SEAT CAROUSEL WITH BACKED SEATS
* 4 SEAT CAROUSEL WITH BACKED SEATS BY LANDSCAPE FORMS (800-521-2546)
* 3 SEAT CAROUSEL WITH BACKED SEATS BY LANDSCAPE FORMS HANDICAP OPTION (800-521-2546)
 3. HANDICAP CAROUSEL TABLE MUST BE SURFACE MOUNTED ON SIDE WITH HANDICAP ACCESS.

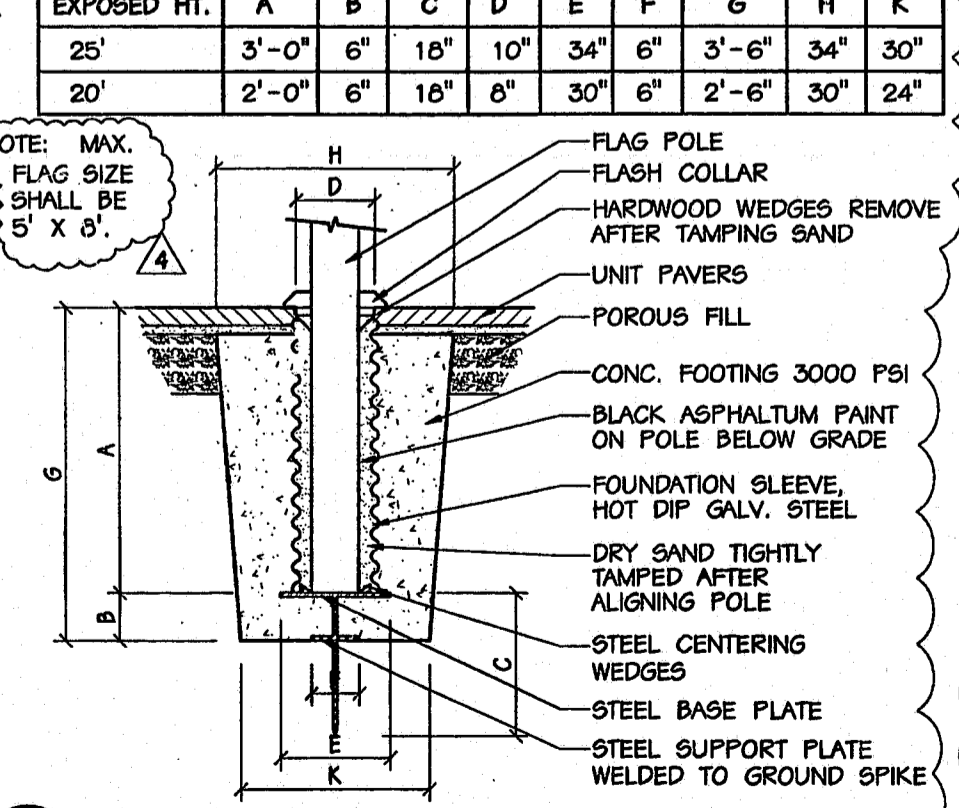
4 TABLE ANCHOR
SCALE: 3/4" = 1'-0"

5 LIGHT POLE ANCHOR
SCALE: 3/4" = 1'-0"



- NOTE:
1. SEE ELECTRICAL SHEETS FOR ADDITIONAL INFORMATION.

6 SECTION @ FLAG POLE
SCALE: 3/4" = 1'-0"

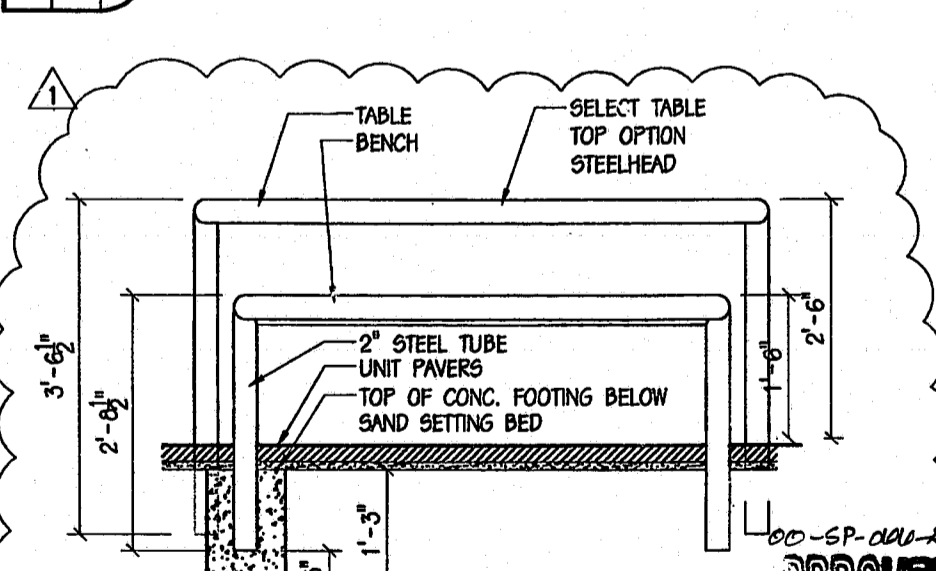


FOUNDATION DIMENSIONS FOR FLAG POLE

EXPOSED HT.	A	B	C	D	E	F	G	H	K
25'	3'-0"	6"	18"	10"	34"	6"	3'-6"	34"	30"
20'	2'-0"	6"	18"	8"	30"	6"	2'-6"	30"	24"

- NOTE: MAX. FLAG SIZE SHALL BE 5' X 8'.
- FLAG POLE
 - FLASH COLLAR
 - HARDWOOD WEDGES REMOVE AFTER TAMPING SAND
 - UNIT PAVERS
 - POROUS FILL
 - CONC. FOOTING 3000 PSI
 - BLACK ASPHALTUM PAINT ON POLE BELOW GRADE
 - FOUNDATION SLEEVE, HOT DIP GALV. STEEL
 - DRY SAND TIGHTLY TAMPED AFTER ALIGNING POLE
 - STEEL CENTERING WEDGES
 - STEEL BASE PLATE
 - STEEL SUPPORT PLATE WELDED TO GROUND SPIKE

3 BENCH ANCHOR
SCALE: 3/4" = 1'-0"



- NOTES:
1. TABLES BY LANDSCAPE FORMS INC. 800-290-6236
* TABLE "PETOSKY" BY LANDSCAPE FORMS (800-521-2546) 72" LENGTH, W/ 62" BENCH
* TABLE "PETOSKY" HANDICAP OPTION BY LANDSCAPE FORMS (800-521-2546) 72" LENGTH, W/ ONE 62" BENCH AND ONE ONE 29" BENCH PER SET

7 PICNIC TABLE ANCHOR
SCALE: 3/4" = 1'-0"

SUITE 200
5041 CORPORATE WOODS DRIVE
VIRGINIA BEACH, VIRGINIA 23462
(757) 222-2010

DES. MU. DR. PW. CHK. JJC

DATE MAR. 31, 2000

REVISIONS

1	4/07/00
2	6/1/00
4	02/15/01 T.O.C. COMMENTS



CENTRAL PARK AT CENTREGREEN
CARY, NORTH CAROLINA
900 CENTREGREEN WAY

PROJECT NO. 99-137

L2.1

HARDSCAPE PLAN
SHEET OF