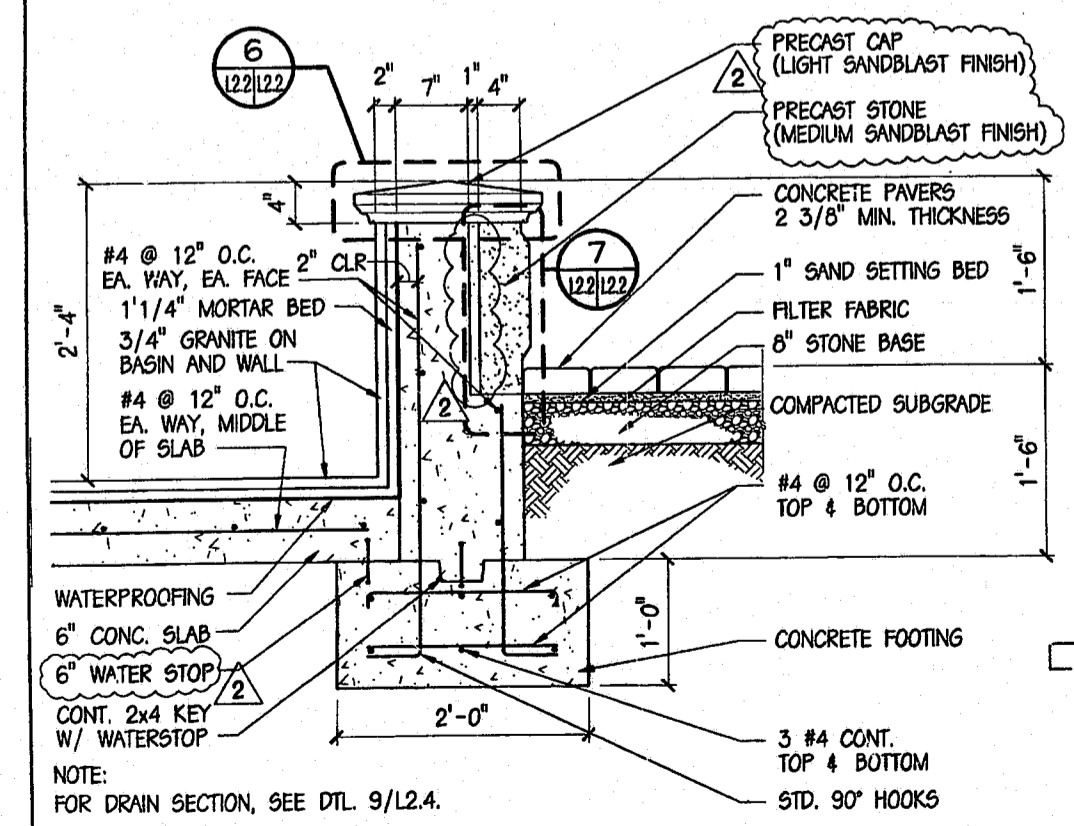
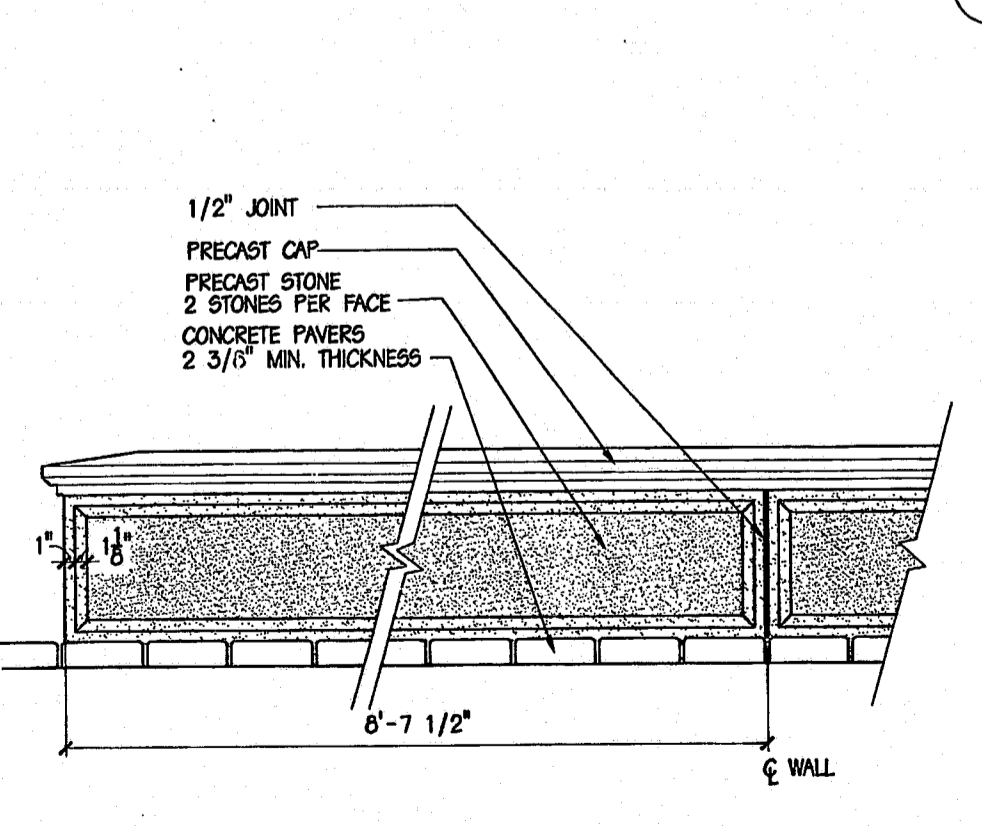


1 ENLARGED FOUNTAIN PLAN
 1.1.1/2.2 SCALE: 1/8" = 1'-0"

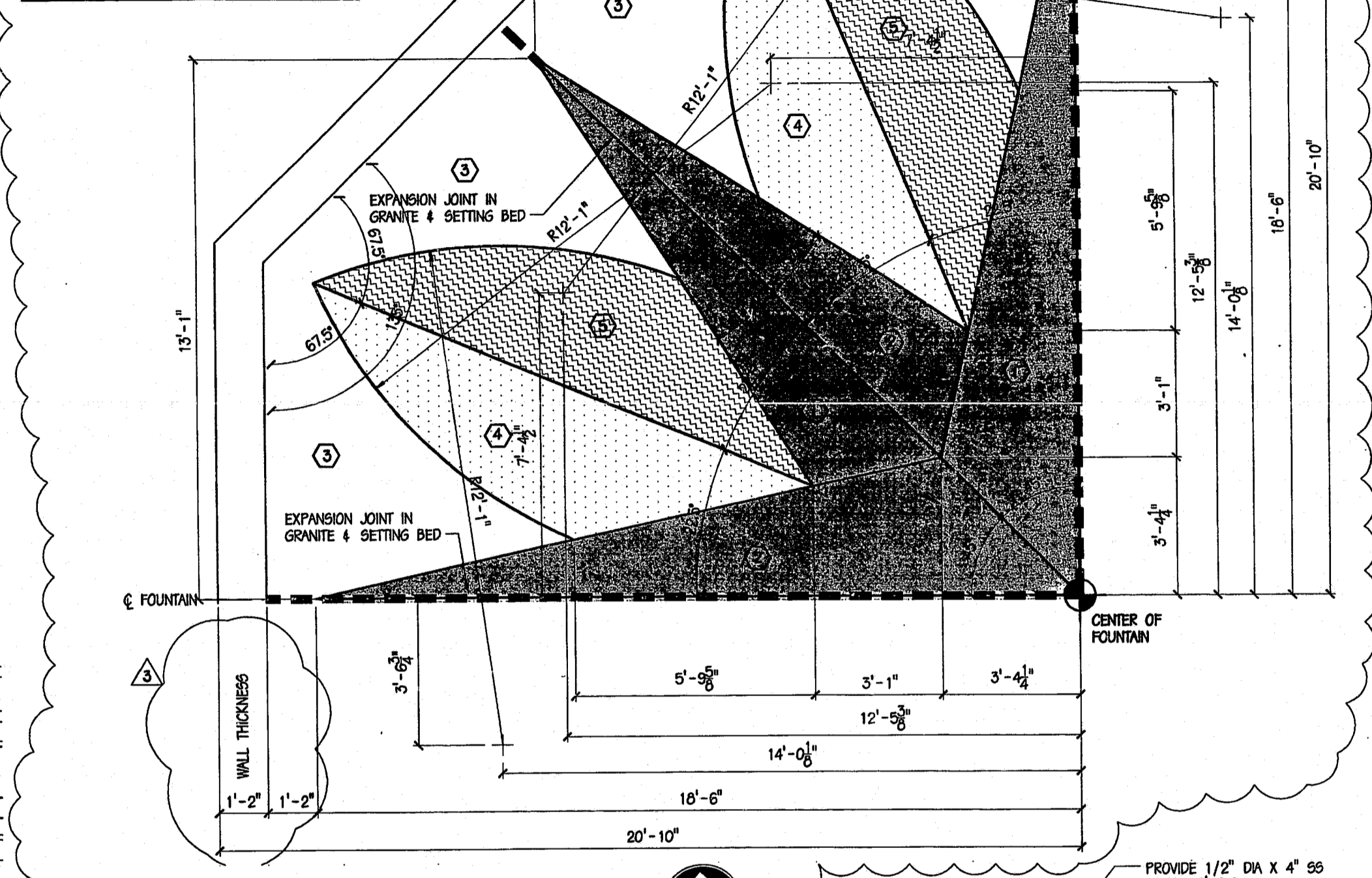


3 FOUNTAIN SECTION
 1.2.2/2.2 1" = 1'-0"

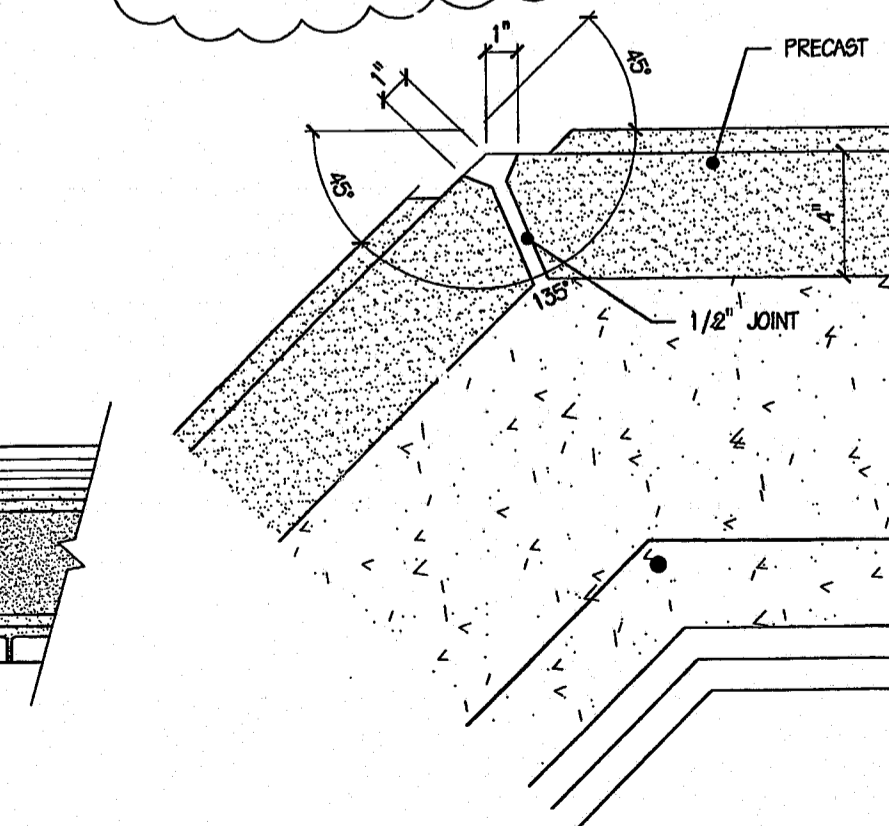


4 FOUNTAIN WALL PRECAST
 1.2.2/2.2 1" = 1'-0"

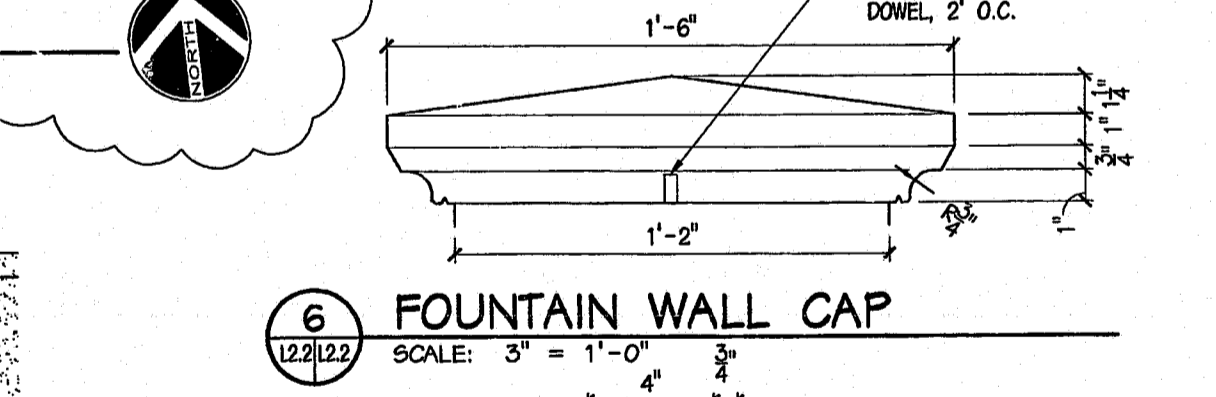
GRANITE KEY	
①	DARK RED - "AFRICAN RED" #1-24-00 G & L SUPPLIER IN ATLANTA, GA.
②	LIGHT RED - "RED DRAGON" #14633 G & L SUPPLIER IN ATLANTA, GA.
③	BLACK - "BLACK GALAXY" #7836 WESTCHESTER SUPPLIER, DURHAM, NC.
④	DARK GRAY - "BLUE PEARL" #7836 WESTCHESTER SUPPLIER, DURHAM, NC.
⑤	LIGHT GRAY - "SIERRA WHITE" #13586 G & L SUPPLIER ATLANTA



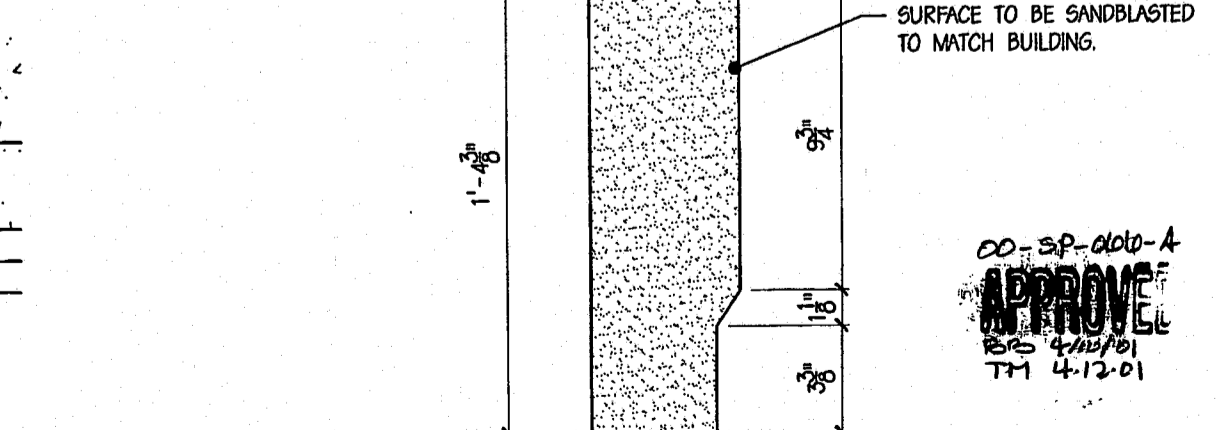
2 PARTIAL FOUNTAIN PLAN
 1.2.2/2.2 SCALE: 1/2" = 1'-0"



5 FOUNTAIN WALL CORNER DETAIL
 1.2.2/2.2 SCALE: 3" = 1'-0"



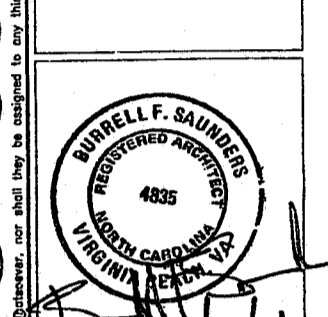
6 FOUNTAIN WALL CAP
 1.2.2/2.2 SCALE: 3" = 1'-0"



7 FOUNTAIN WALL PRECAST
 1.2.2/2.2 SCALE: 3" = 1'-0"

REVISIONS

①	4/07/00
②	6/1/00
③	7/18/00



APPROVE
 4/12/01
 TR 4-12-01

CENTRAL PARK AT CENTREGREEN
 CARY, NORTH CAROLINA
 900 CENTREGREEN WAY

ENLARGED LAYOUT PLAN & DETAILS

PROJECT NO. 99-137

L2.2
 HARDSCAPE PLAN
 SHEET OF