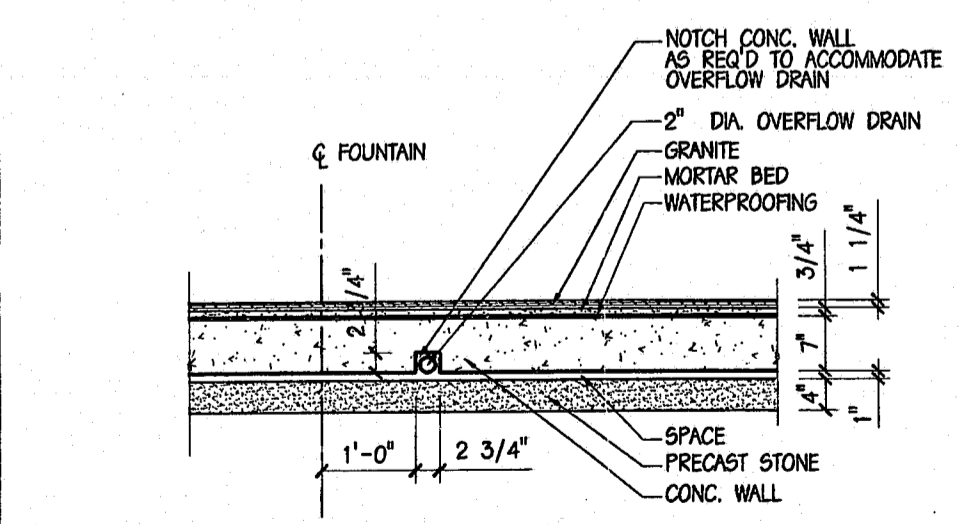


- NOTES:
- CONC. PAD SHALL BE 2' LONGER THAN BENCHES AND LITTER RECEPTACLE (1' ON EACH END)
 - BENCH AND LITTER RECEPTACLE BY LANDSCAPE FORMS INC. 800-290-6236
 - LITTER RECEPTACLE "PRESIDIO" BY LANDSCAPE FORMS (800-521-2546) SIDE OPENING LITTER RECEPTACLE
- 2 LITTER RECEPTACLE ANCHOR**
SCALE: 3/4" = 1'-0"

1 ENLARGED HARDSCAPE PLAN
L1.1|L2.3 SCALE: 1/8" = 1'-0"

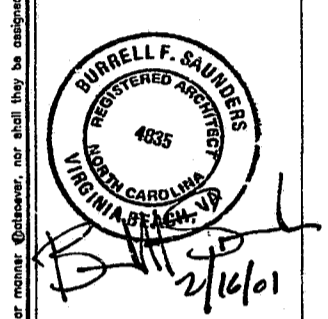
NOTE: UNLESS OTHERWISE INDICATED, ALL ITEMS REPEAT SYMMETRICALLY ABOUT CENTERLINES.



3 FOUNTAIN OVERFLOW DRAIN (SIMILAR OPPOSITE END)
L2.2|L2.3 3/4" = 1'-0"

REVISIONS

1	4/07/00
2	6/1/00



00-SP-01A-A
APPROVED
S.F. 4/10/01
J.M. 4/10/01