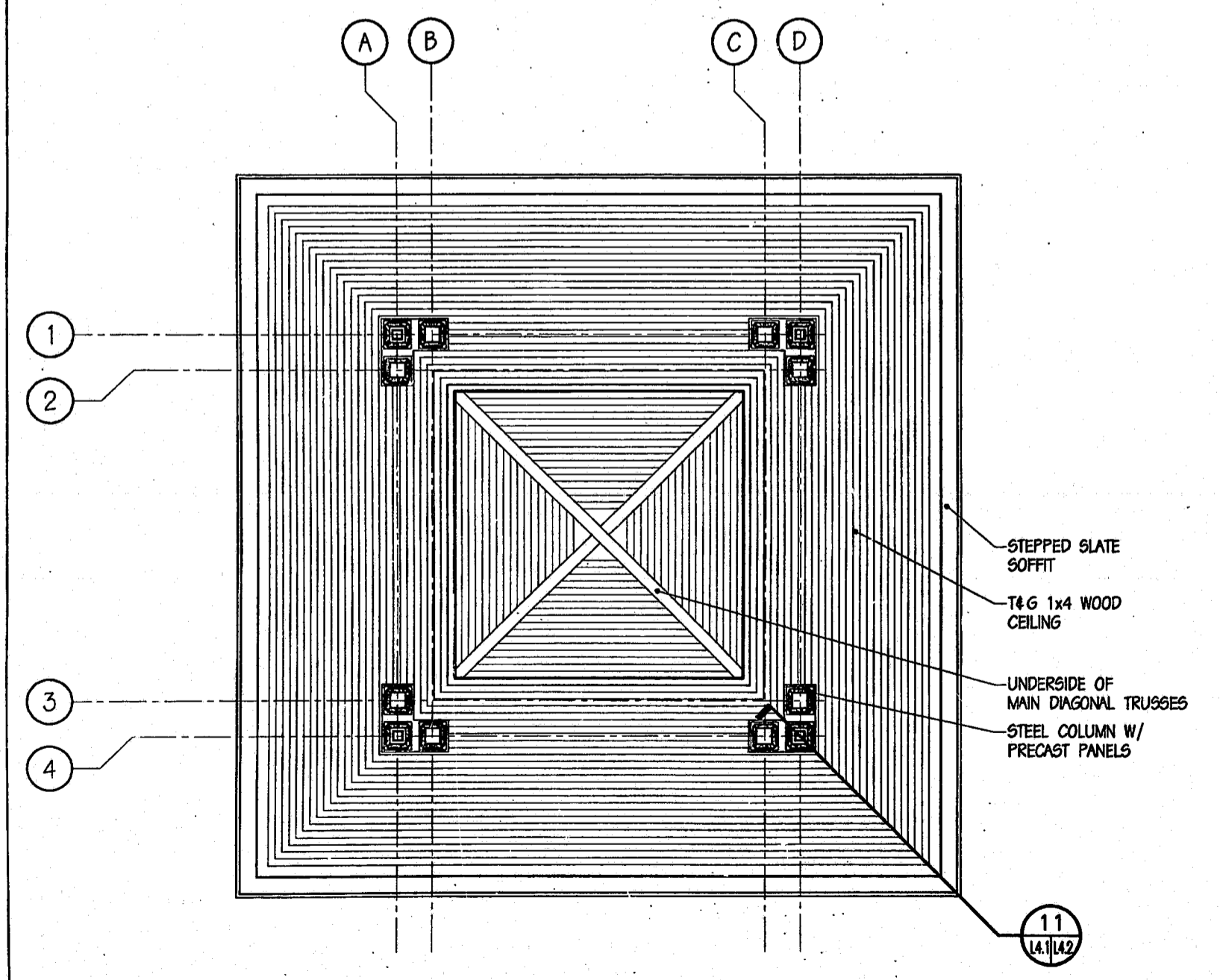
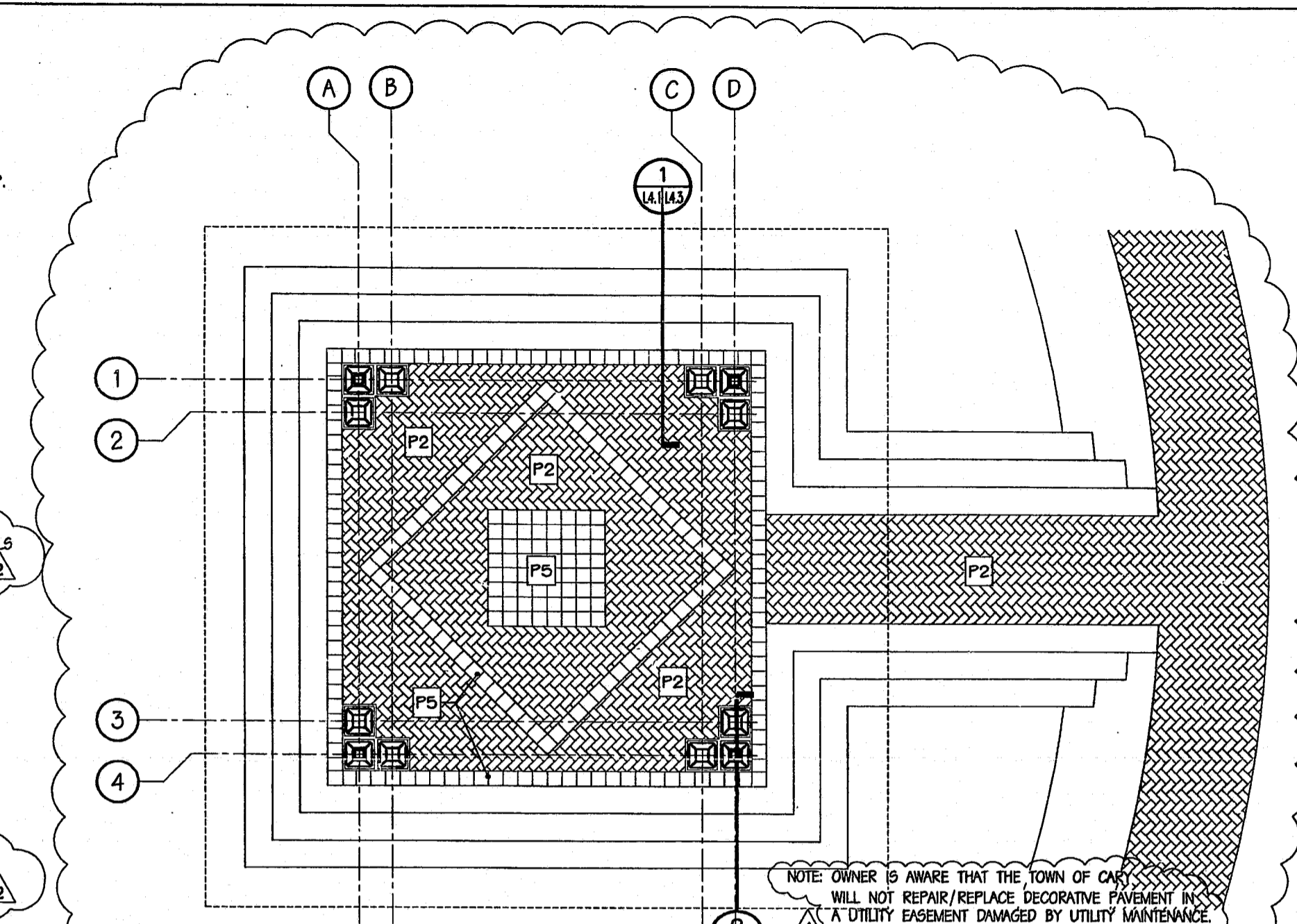


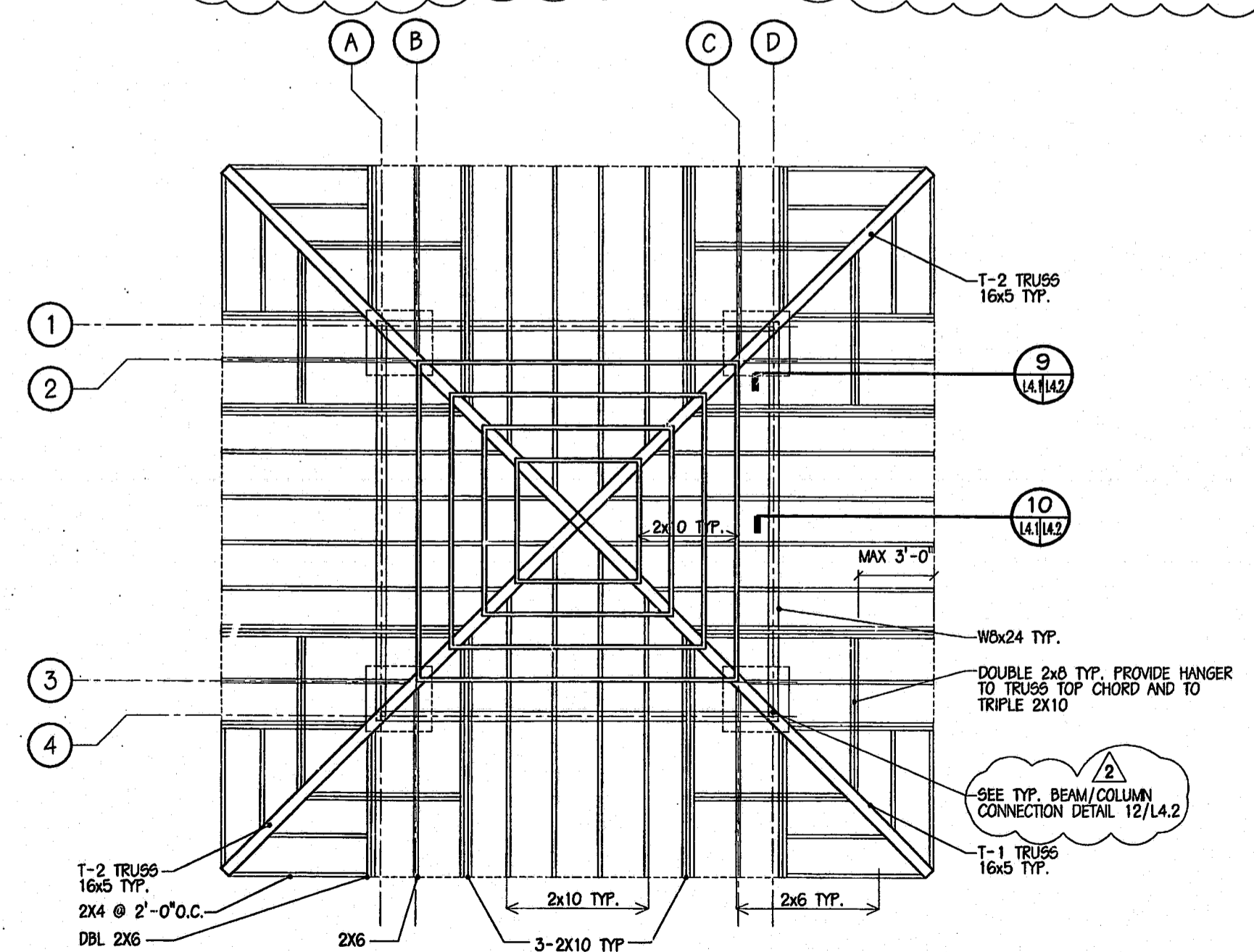
FLOOR PLAN
1/4" = 1'-0"



REFLECTED CEILING PLAN
1/4" = 1'-0"



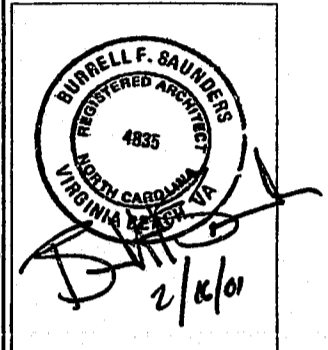
PAVER PATTERN PLAN
1/4" = 1'-0"



ROOF FRAMING PLAN
1/4" = 1'-0"

REVISIONS

2	05/22/00
3	6/1/00
4	02/15/01 T.O.C. COMMENTS



CENTRAL PARK AT CENTREGREEN
900 CENTREGREEN WAY
CARY, NORTH CAROLINA

PICNIC SHELTER PLANS

PROJECT NO. 99-137

L4.1
HARDSCAPE PLAN
SHEET OF

00-SP-000-A
APPROVE
BFS 4/10/01
TM 4.12.01

CMS Architects, P.C. expressly reserves the right under common law copyright and assembly rights in connection with the design, concepts, and drawings presented in this document. This document and its design shall not be reproduced, changed, or copied in any form or manner without the express written consent of CMS Architects, P.C. © 1999.