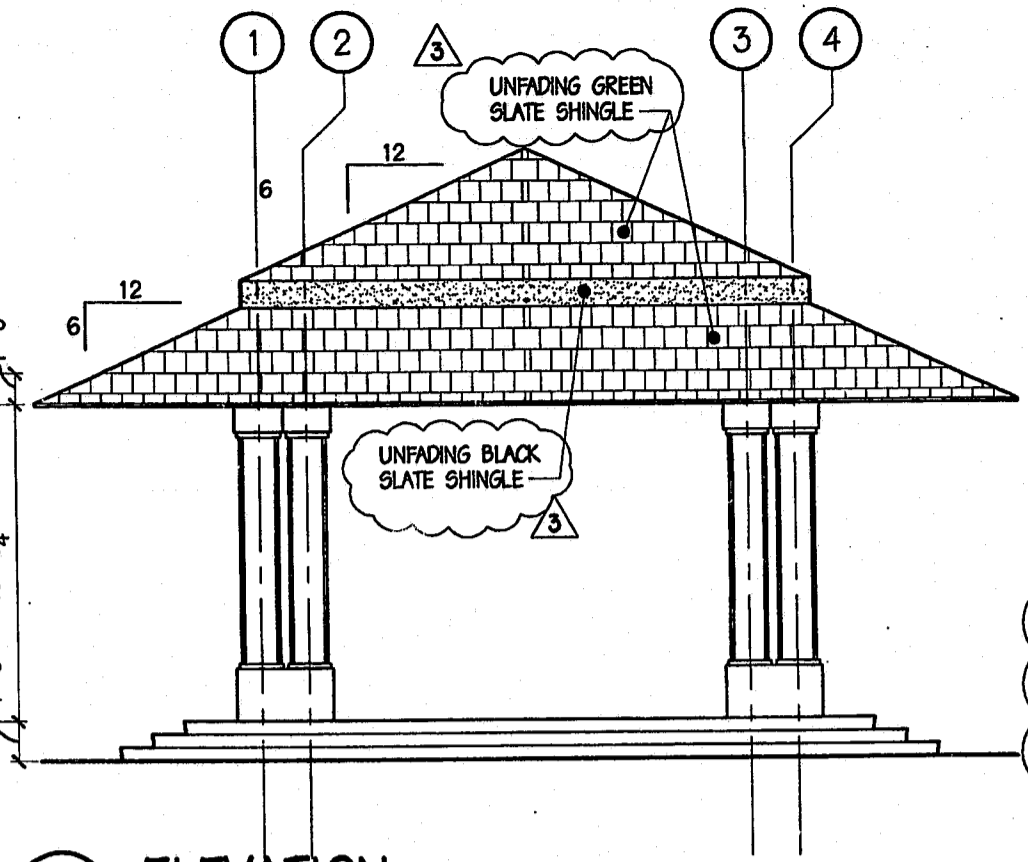
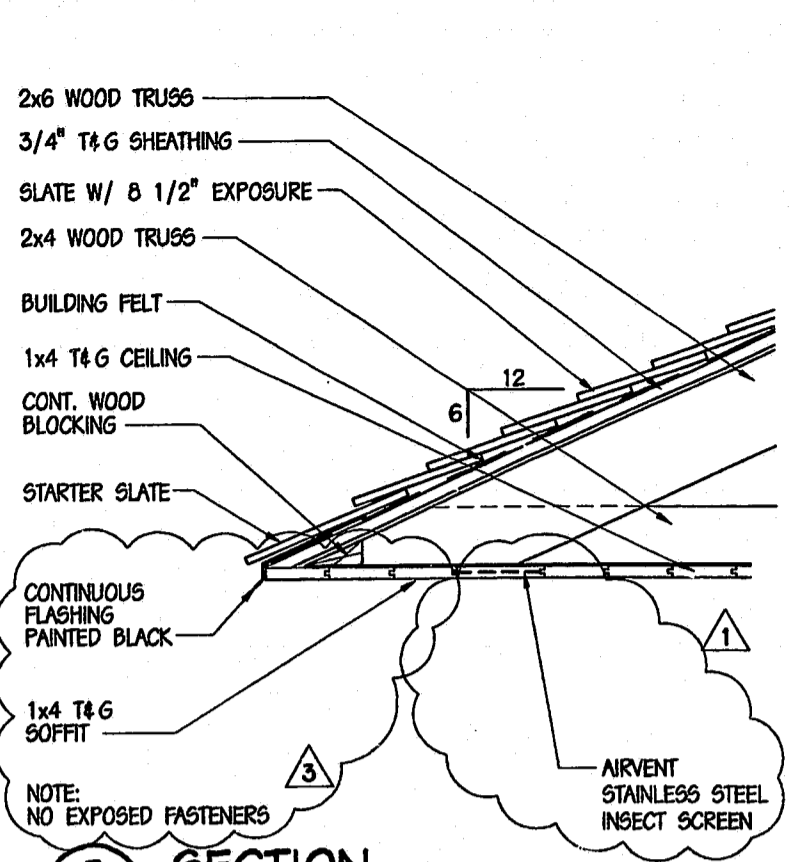


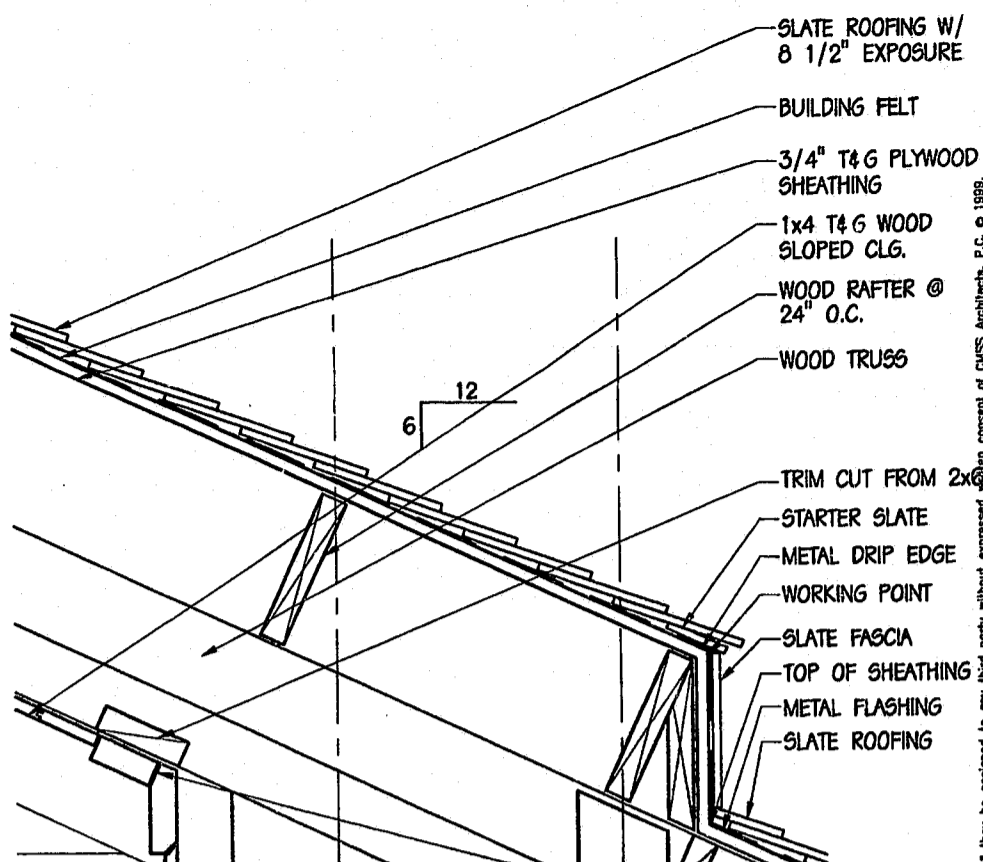
1 SECTION
L4.1/L4.2 1/4" = 1'-0"



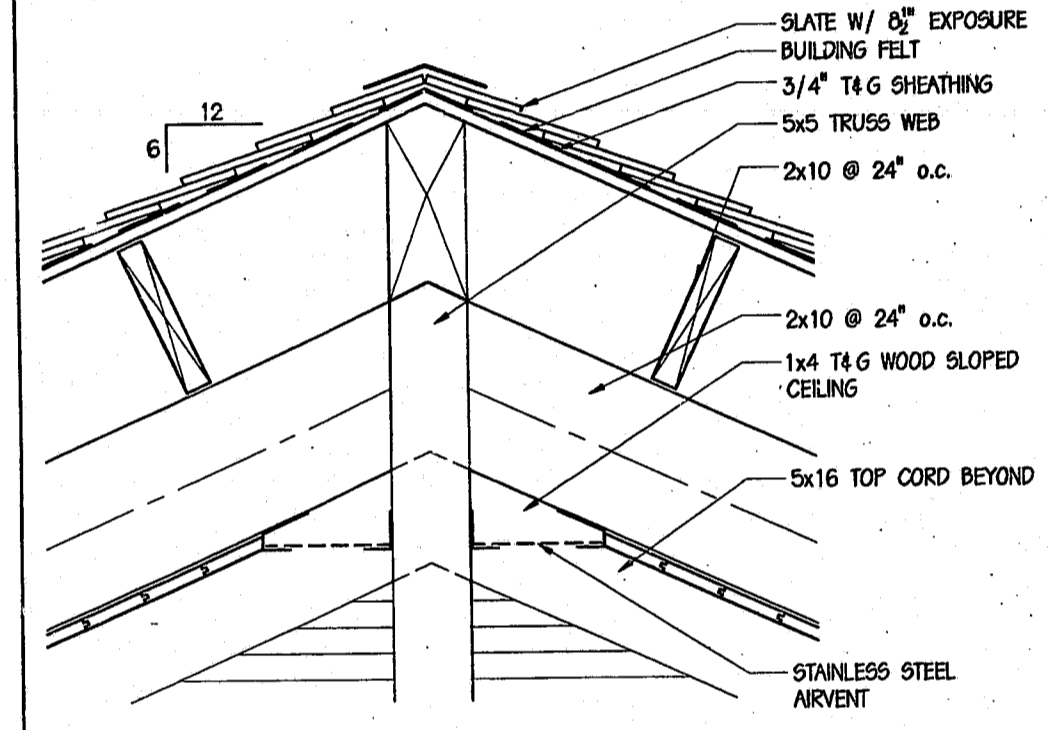
A ELEVATION
L4.1/L4.2 1/4" = 1'-0"



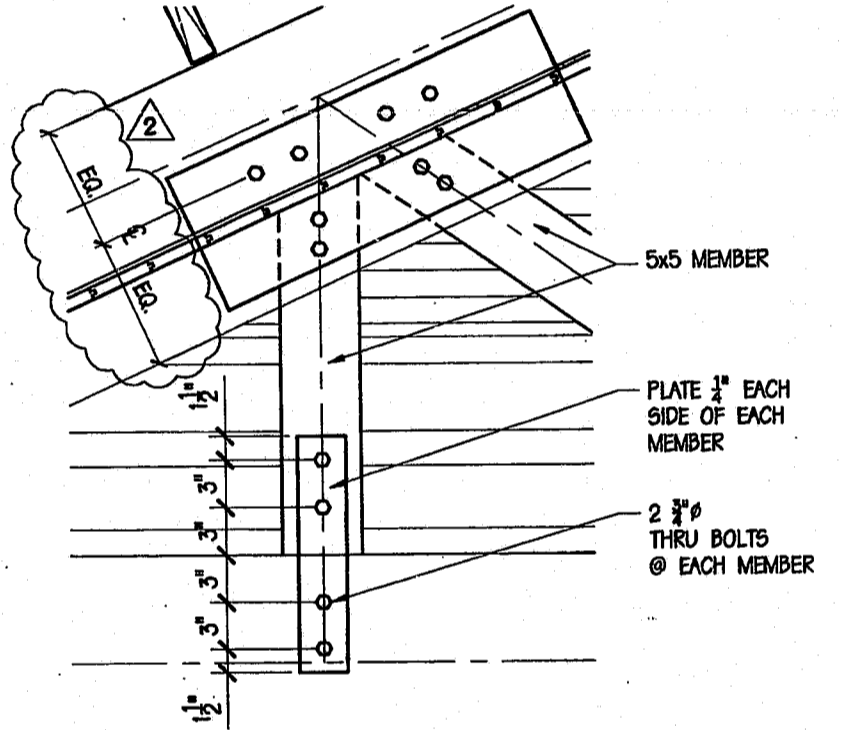
3 SECTION
L4.2/L4.2 1 1/2" = 1'-0"



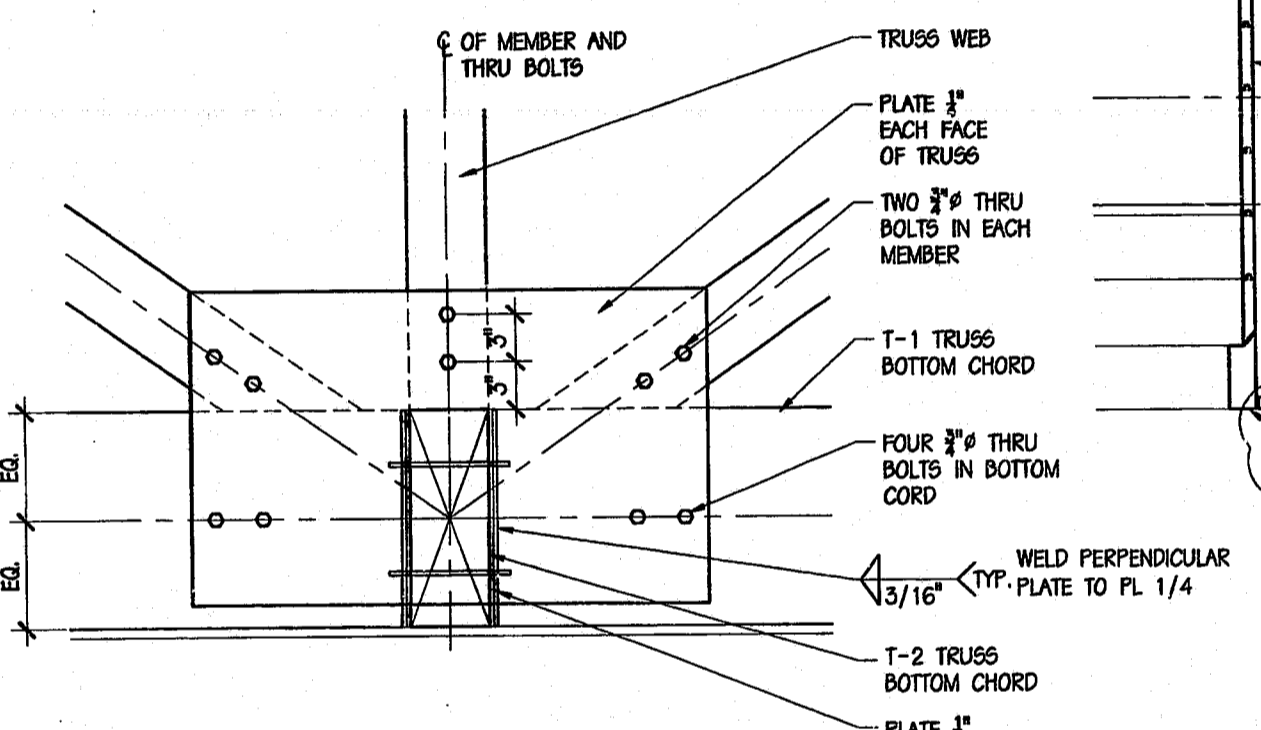
8 SECTION
L4.2/L4.2 1 1/2" = 1'-0"



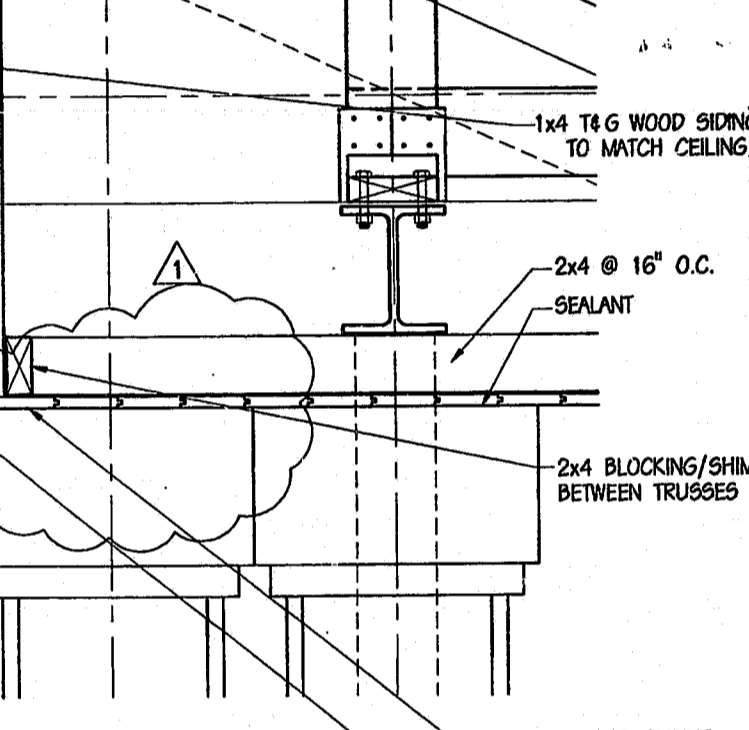
5 SECTION
L4.2/L4.2 1 1/2" = 1'-0"



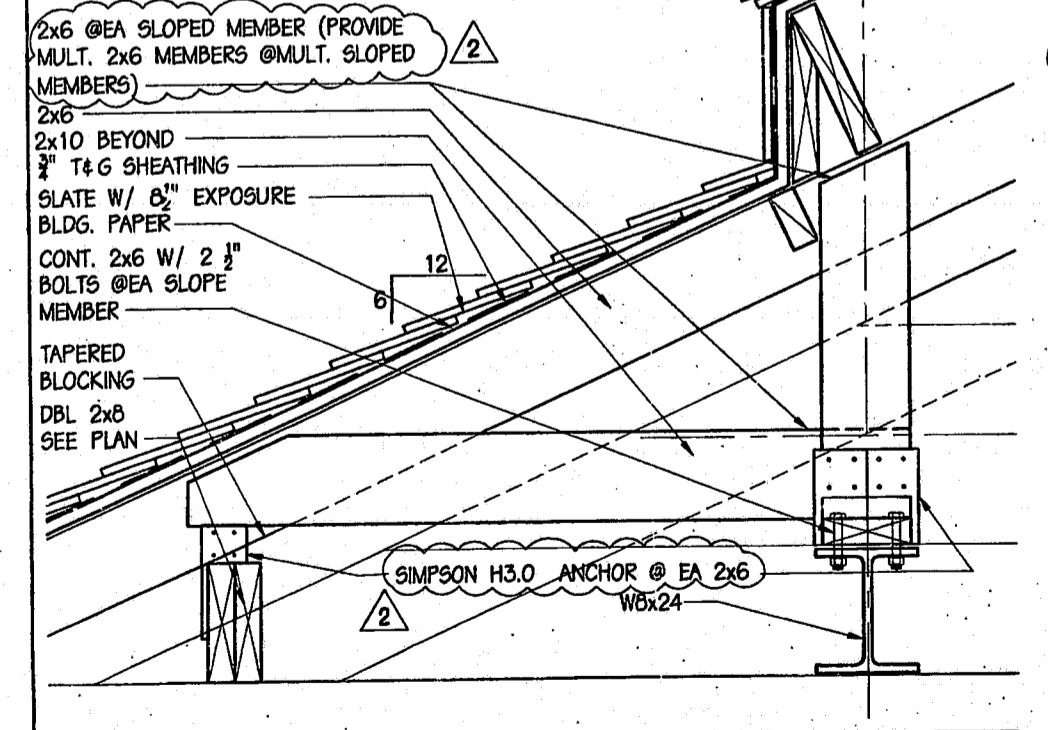
6 SECTION
L4.2/L4.2 1 1/2" = 1'-0"



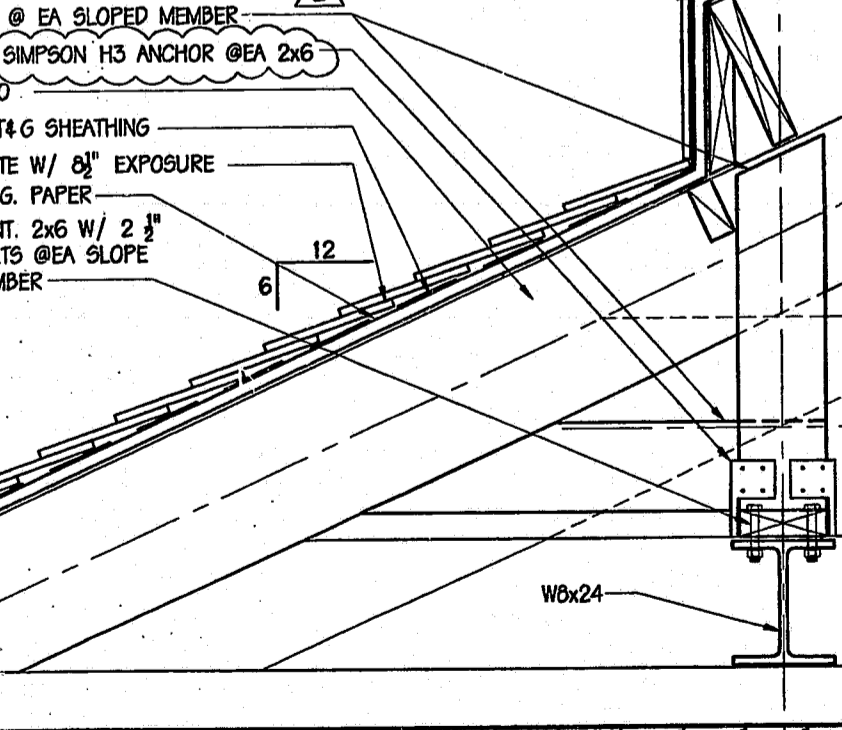
7 SECTION
L4.2/L4.2 1 1/2" = 1'-0"



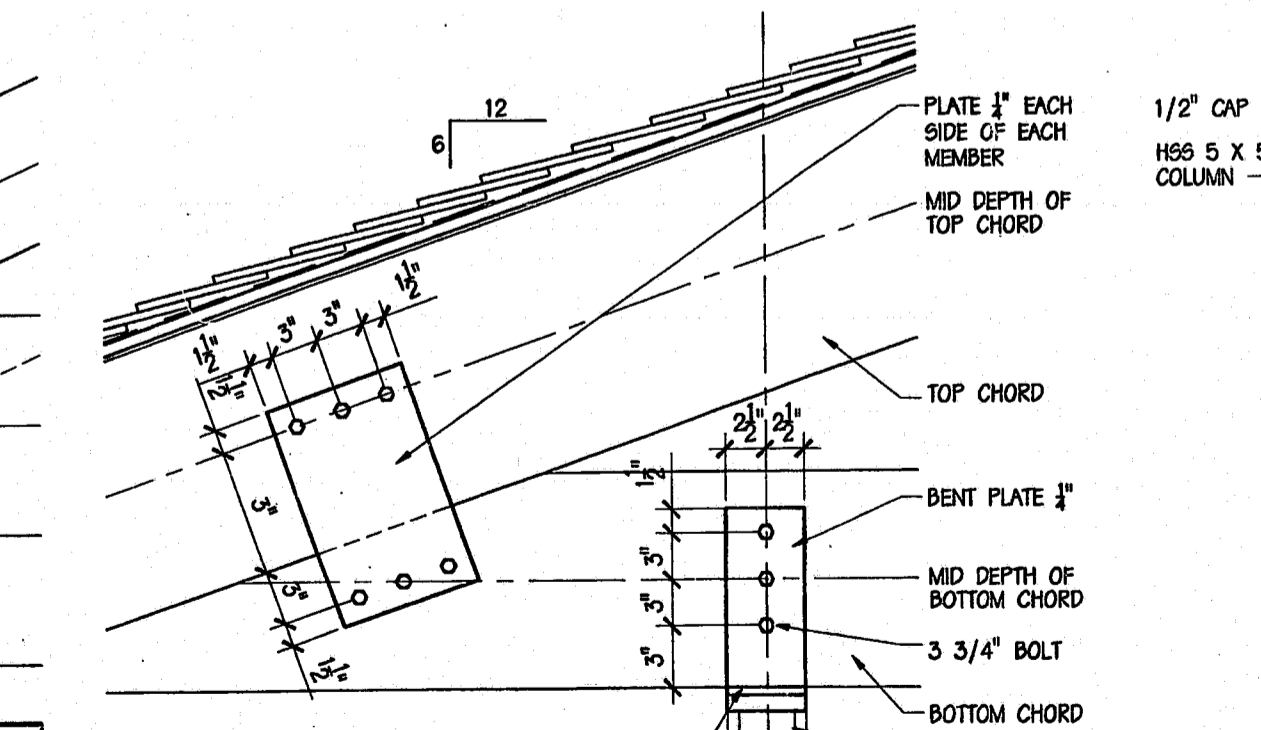
8 SECTION
L4.2/L4.2 1 1/2" = 1'-0"



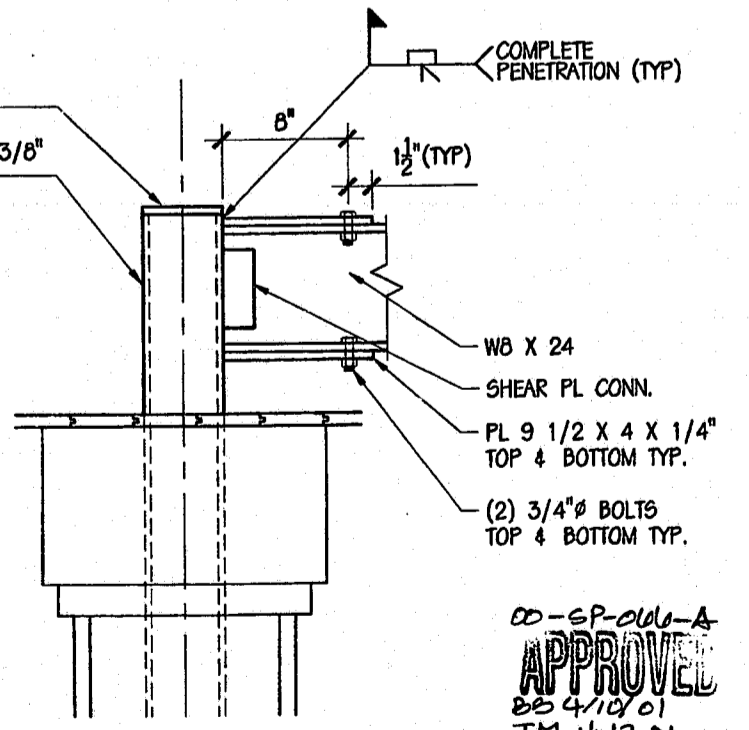
9 SECTION
L4.1/L4.2 1 1/2" = 1'-0"



10 SECTION
L4.1/L4.2 1 1/2" = 1'-0"



11 SECTION
L4.1/L4.2 1 1/2" = 1'-0"



12 TYP. BEAM/COLUMN CONNECTION
L4.1/L4.2 1 1/2" = 1'-0"

CMSS ARCHITECTS
SUITE 200
5041 CORPORATE WOODS DRIVE
VIRGINIA BEACH, VIRGINIA 23462
(757) 222-2010
DES. MLJ, DR. PW, CHK. JJC
DATE MAR. 31, 2000
REVISIONS
1 4/07/00
2 5/22/00
3 6/1/00
BIRRELL F. SAUNDERS
REGISTERED ARCHITECT
VIRGINIA
4835
2/16/01

CENTRAL PARK AT CENTREGREEN
CARY, NORTH CAROLINA
900 CENTREGREEN WAY
PICNIC SHELTER SECTIONS
PROJECT NO. 99-137
L4.2
HARDSCAPE PLAN
SHEET OF