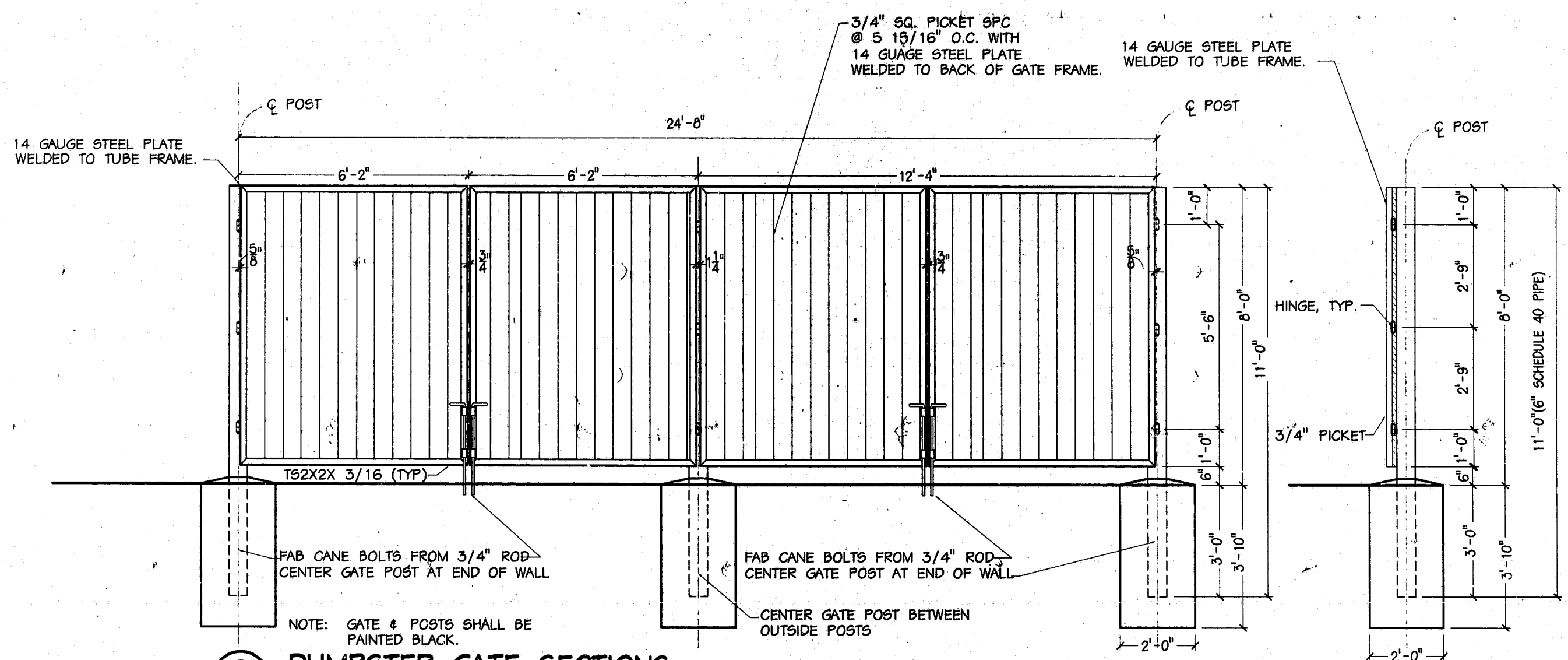
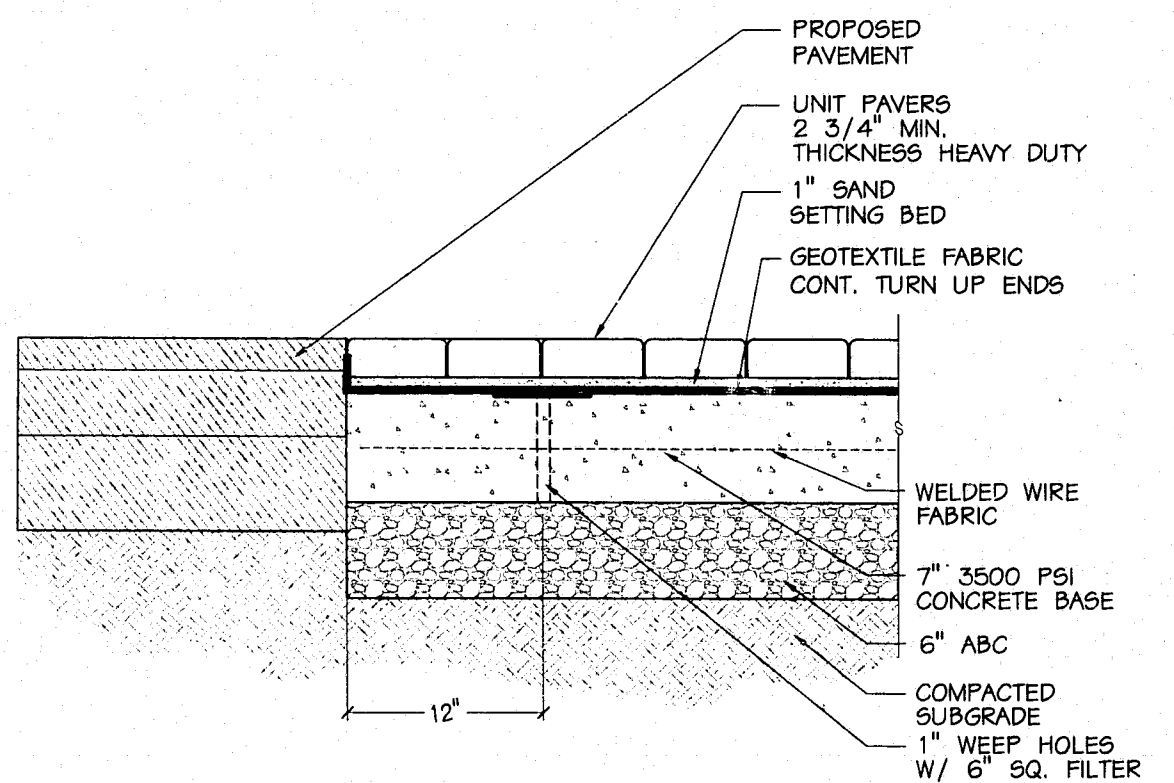


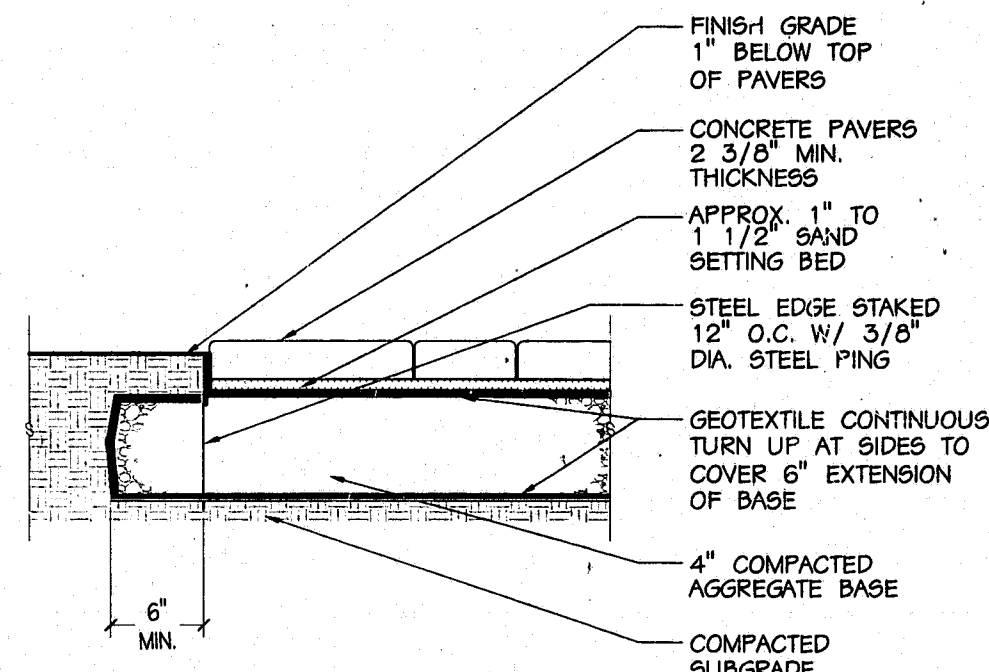
1 DUMPSTER PAD PLAN
 L1.1|L2.2 SCALE: 1/8" = 1'-0"



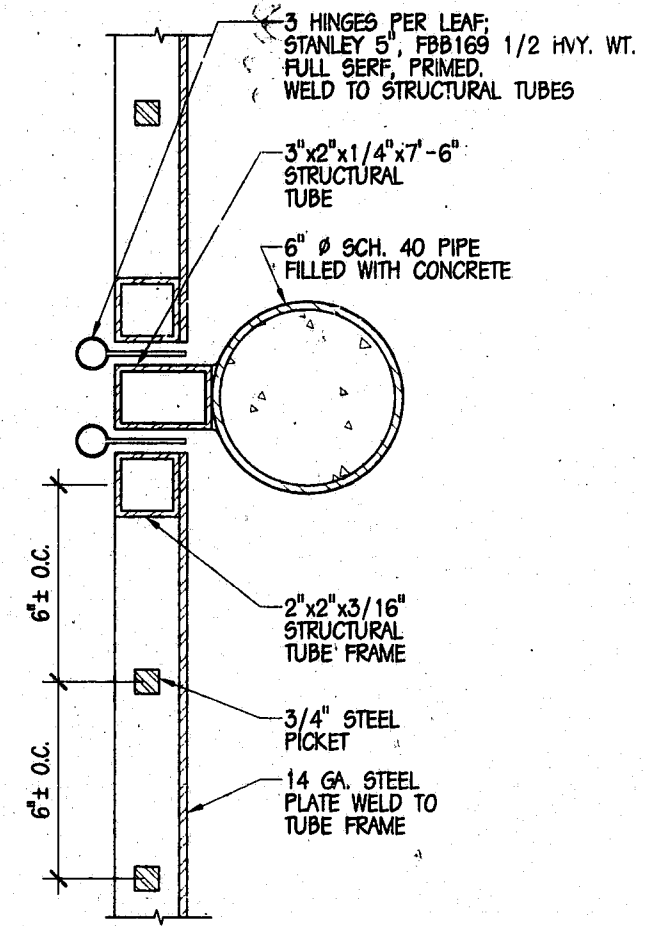
2 DUMPSTER GATE SECTIONS
 L2.2|L2.2 SCALE: 1/2" = 1'-0"



3 UNIT PAVERS IN PAVEMENT
 L1.3|L2.2 SCALE: 1 1/2" = 1'-0"



4 UNIT PAVERS AT TURF
 L1.3|L2.2 SCALE: 1 1/2" = 1'-0"



5 GATE PLAN
 L2.2|L2.2 SCALE: 3" = 1'-0"

NO.	DESCRIPTION

BURRELL F. SAUNDERS
 REGISTERED ARCHITECT
 4835
 VIRGINIA BEACH, VA
 6/25/01

GENTREGREEN TWO
 CARY, NORTH CAROLINA
 900 CENTREGREEN WAY
 DETAILS

01-SP-046
APPROVED
 BY 7/2/01
 TS 7/3/01