

## Cree Edge™ Series

### LED Area/Flood Luminaire

**Product Description**  
The Cree Edge™ Series has a slim, low profile design. Its rugged cast aluminum housing minimizes wind load requirements and features an integral, weatherlight LED driver compartment and high performance aluminum heat sink. Various mounting choices: Adjustable Arm, Direct Arm, Direct Arm Long, or Side Arm (details on page 2). Includes a ball/beam guard.  
**Applications:** Parking lots, walkways, campuses, car dealerships, office complexes, and internal roadways

### Performance Summary

Patented NanoCrystal™ Product Technology

Made in the U.S.A. of U.S. and imported parts

CRI: Minimum 70 CRI

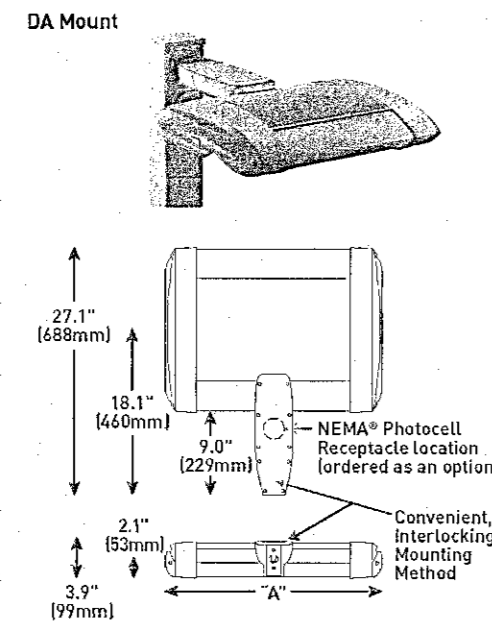
CCT: 4000K (L/A-3000K), 5700K (L/A-5000K) standard

Limited Warranty\*: 10 years on luminaire/10 years on Colorfast DeltaGuard™ finish

\*See <http://www.cree.com/conformity> for warranty terms

### Accessories

Field-Installed	Backlight Control Shields
Bird Spikes	3A-3000P
3A-3000P	4-Four-pack
Hand-Held Remote	Disappointed stainless steel
AA-BATTERY	
For successful implementation of the programmable multi-level option, a minimum of one hand-held remote is required	



LED Count (x10)	Dim. "A"	Weight
02	12.1" (308mm)	21 lbs. (10kg)
04	12.1" (308mm)	24 lbs. (11kg)
06	14.1" (358mm)	27 lbs. (13kg)
08	14.1" (358mm)	28 lbs. (13kg)
10	16.1" (408mm)	30 lbs. (14kg)
12	20.1" (511mm)	34 lbs. (16kg)
14	22.1" (561mm)	37 lbs. (17kg)
16	24.1" (611mm)	41 lbs. (19kg)

AA/DLSA Mount - see page 22 for weight & dimensions

### Ordering Information

Example: ARE-020-020-04-12-EL-5A-250

Product	Optic	Mounting*	LED Count (x10)	Series	Voltage	Color Options	Drive Current	Options
ARE	2M	3MB	AMP	AA	UL Universal	BLK	325	DIR: 8-10° Beamwidth Control by others Refer to DIMMING SPEC. sheet for details. Can exceed specified drive current
	Type II	Type IV	Adjustable Arm	02	120-277V	3000A	350mA	PHL: Programmable Multi-Level, 0°-20° Mounting Height
	Medium	Medium	DA	04	UL	BZ	325	Refer to DIMMING SPEC. sheet for details. PHL: Refer to PHL spec sheet for details. PHL: Refer to PHL spec sheet for details. PHL: Refer to PHL spec sheet for details. PHL: Refer to PHL spec sheet for details.
	2MB	w/ULS	Direct Arm	06	UL	WV	300	PHL: Programmable Multi-Level, 10-20° Mounting Height
	Medium	w/Partial	DL	08	UL	WH	300	Refer to DIMMING SPEC. sheet for details. PHL: Refer to PHL spec sheet for details. PHL: Refer to PHL spec sheet for details. PHL: Refer to PHL spec sheet for details.
	Type II	3MB	Direct Long Arm	10	UL	WH	300	PHL: Programmable Multi-Level, 10-20° Mounting Height
	Medium	w/Partial	DL	12	UL	WH	300	Refer to DIMMING SPEC. sheet for details. PHL: Refer to PHL spec sheet for details. PHL: Refer to PHL spec sheet for details. PHL: Refer to PHL spec sheet for details.
	w/ULS	Medium	Type V	14	UL	WH	300	PHL: Programmable Multi-Level, 10-20° Mounting Height
	2MB	w/Partial	SA	16	UL	WH	300	Refer to DIMMING SPEC. sheet for details. PHL: Refer to PHL spec sheet for details. PHL: Refer to PHL spec sheet for details. PHL: Refer to PHL spec sheet for details.
	Medium	4M	Side Arm					PHL: Programmable Multi-Level, 10-20° Mounting Height
	Type II	4M	Short					Refer to DIMMING SPEC. sheet for details. PHL: Refer to PHL spec sheet for details. PHL: Refer to PHL spec sheet for details. PHL: Refer to PHL spec sheet for details.
	Medium	4M	30-40 LEDs					PHL: Programmable Multi-Level, 10-20° Mounting Height
	w/ULS	Medium						Refer to DIMMING SPEC. sheet for details. PHL: Refer to PHL spec sheet for details. PHL: Refer to PHL spec sheet for details. PHL: Refer to PHL spec sheet for details.
FLD	25	70	NA					PHL: Programmable Multi-Level, 10-20° Mounting Height
ED5	25° Flood	70° Flood	NEMA 6					Refer to DIMMING SPEC. sheet for details. PHL: Refer to PHL spec sheet for details. PHL: Refer to PHL spec sheet for details. PHL: Refer to PHL spec sheet for details.
	42	84						PHL: Programmable Multi-Level, 10-20° Mounting Height
	40° Flood	Sign						Refer to DIMMING SPEC. sheet for details. PHL: Refer to PHL spec sheet for details. PHL: Refer to PHL spec sheet for details. PHL: Refer to PHL spec sheet for details.

\*Refer to EFA and pole configurations suitability sheet beginning on page 19  
\*CCT: Cree color rendering index (CRI) and color temperature

UL US **CREE**  
US: [lighting.cree.com/lighting](http://lighting.cree.com/lighting) T (800) 226-6800 F (262) 504-5415

Rev. Date: V2/08/03/2014

Canada: [www.cree.com/canada](http://www.cree.com/canada) T (800) 473-1234 F (800) 890-7507

## IG Series

### LED Parking Garage Luminaire

**Product Description**  
Cree innovates again to reset the performance benchmark in parking garage applications with the IG Series featuring WaveMax™ Technology, our innovative optical waveguide platform. Available in 33 watt and 66 watt, two lumen packages are offered to satisfy IESNA 1005-14 Basic and IESNA Security Zone 6-103 requirements for environments seeking higher light levels for improved safety and security. The streamlined design breaks away from dated tricolour designs, blending form and function, to deliver superior low-glare illumination.  
**Applications:** Parking garages

### Performance Summary

Utilizes Cree WaveMax™ Technology

Initial Delivered Lumens: 3,010 or 7,500 lumens

Input Power: 33 or 66 watts

Efficacy: Up to 118 LPW

Optic: Type V Short Distribution

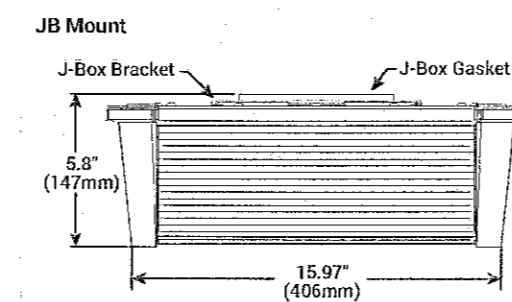
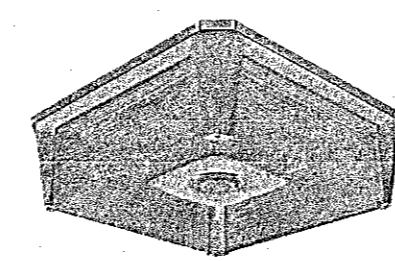
Made in the U.S.A. of U.S. and imported parts

CCT: 4000K (L/A-3000K), 5700K (L/A-5000K)

CRI: Minimum 80 CRI

Limited Warranty\*: 10 years on luminaire

\*See [www.cree.com/conformity](http://www.cree.com/conformity) for warranty terms



Weight
16 lbs. (7.3kg)

### Accessories

Field-Installed	Backlight Control Shields
Bird Spikes	3A-3000P
3A-3000P	4-Four-pack
Hand-Held Remote	Disappointed stainless steel
AA-BATTERY	
For successful implementation of the programmable multi-level option, a minimum of one hand-held remote is required	

### Ordering Information

Fully assembled luminaire is composed of two components that must be ordered separately:  
Example: Mount: J0-08WH + Luminaire: IG-66M-020-04-04W-0L-WH

Mount (Luminaire must be ordered separately)	WH
J0	WH
J0-Junction Box	Color Option: White
J0-Pendant	

Product	Mounting	Optic	Input Power (Wattage)	CCT	Voltage	WH	Options
IG	JB Mount	Type V Short	A 33W, 3,010 lumens - 118 LPW	3000K	UL 120-277V	WH	PHL: Programmable Multi-Level Refer to PHL spec sheet for details.
			J 66W, 7,500 lumens - 118 LPW	5700K	UL 120-277V		PHL: Programmable Multi-Level Refer to PHL spec sheet for details.
				3000K	UL 120-277V		PHL: Programmable Multi-Level Refer to PHL spec sheet for details.
				5700K	UL 120-277V		PHL: Programmable Multi-Level Refer to PHL spec sheet for details.

UL US **CREE**  
US: [www.cree.com/lighting](http://www.cree.com/lighting) T (800) 226-6800 F (262) 504-5415

Rev. Date: V5/12/03/2015

Canada: [www.cree.com/canada](http://www.cree.com/canada) T (800) 473-1234 F (800) 890-7507

**WithersRavenel**  
Engineers | Planners | Surveyors  
115 Mackinnon Drive | Cary, NC 27511 | T: 919.469.9340 | license #: C-08621 | www.withersravenel.com

Seal

### Revisions

1	Grading Revisions	7/21/16
2	SD Revisions	7/27/16
3	SD Revisions	8/1/16
4	Cary 1st Comments	8/11/16
5	Cary 2nd Comments	8/30/16
6	Master Set	9/20/16

CARY  
CENTREGREEN PARK AT WESTON  
5025 CENTREGREEN WAY  
WAKE COUNTY  
NORTH CAROLINA

**LIGHTING DETAILS**

JOB NO.	2130060.00
DRAWN BY	DW/RSF
CHECKED BY	WR
DATE ISSUED	7/14/16
SCALE	AS SHOWN

Sheet No.

7

Town of Cary Project # 16-SP-049  
Town of Cary HTE # 17-0052  
Approved by the Town of Cary  
Development Review Committee

Planner: *KAH* Date: 21 Sep 2016

03/15/2016 11:05:00 AM - C:\Users\jordan\Documents\Lighting\Lighting Details\Lighting Details.dwg - PLOT - 11/10/16 11:05:00 AM